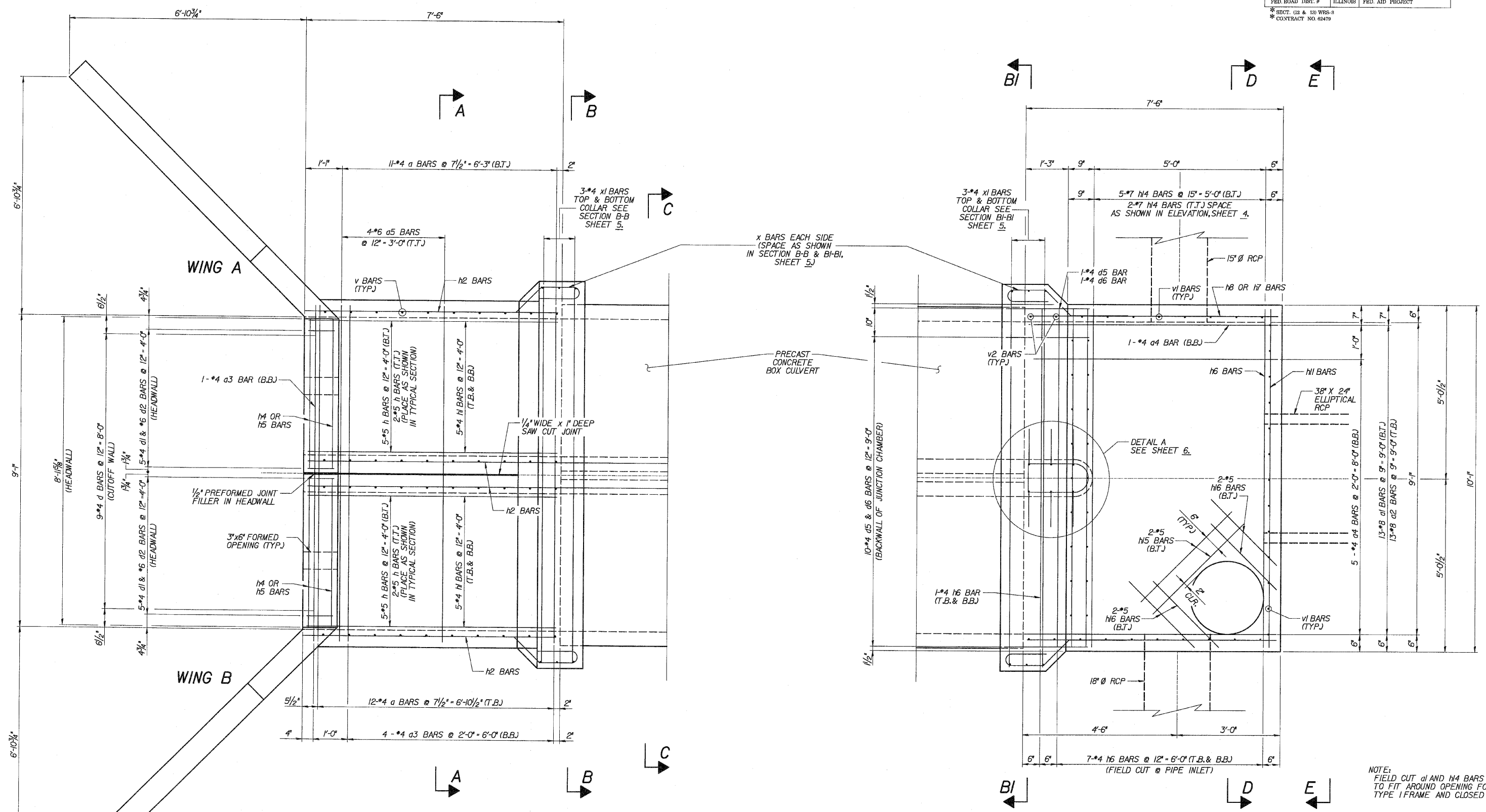


ROUTE NO.	SECTION	COUNTY	TOTAL SHEETS	SHEET NO.
FAP 353	*	WILL	1235	621
FED. ROAD DIST. #	ILLINOIS	FED. AID PROJECT		
* SECT. 12 & 13 WRS-3				
* CONTRACT NO. 62479				



DESIGNED	ASP
CHECKED	CDS
DRAWN	BEM
CHECKED	ASP

PLAN

**LEGEND**

T.J. - TOP OF TOP SLAB  
B.T. - BOTTOM OF TOP SLAB  
T.B. - TOP OF BOTTOM SLAB  
B.B. - BOTTOM OF BOTTOM SLAB

NOTE:  
FIELD CUT #1 AND #4 BARS  
TO FIT AROUND OPENING FOR  
TYPE I FRAME AND CLOSED LID.

**CULVERT 'B'**  
**END SECTION PLAN**  
U.S. ROUTE 30 (LINCOLN HIGHWAY)  
F.A.P. 353 (U.S. 30)  
SECTION (12 & 13) WRS-3  
STATION 158+00.00  
WILL COUNTY  
STRUCTURE NUMBER 099-C011

REVISIONS	
NAME	DATE

**DLZ** 85 W. Algonquin Rd. Ste. 220  
Arlington Heights IL 60005  
DLZ Illinois, Inc.