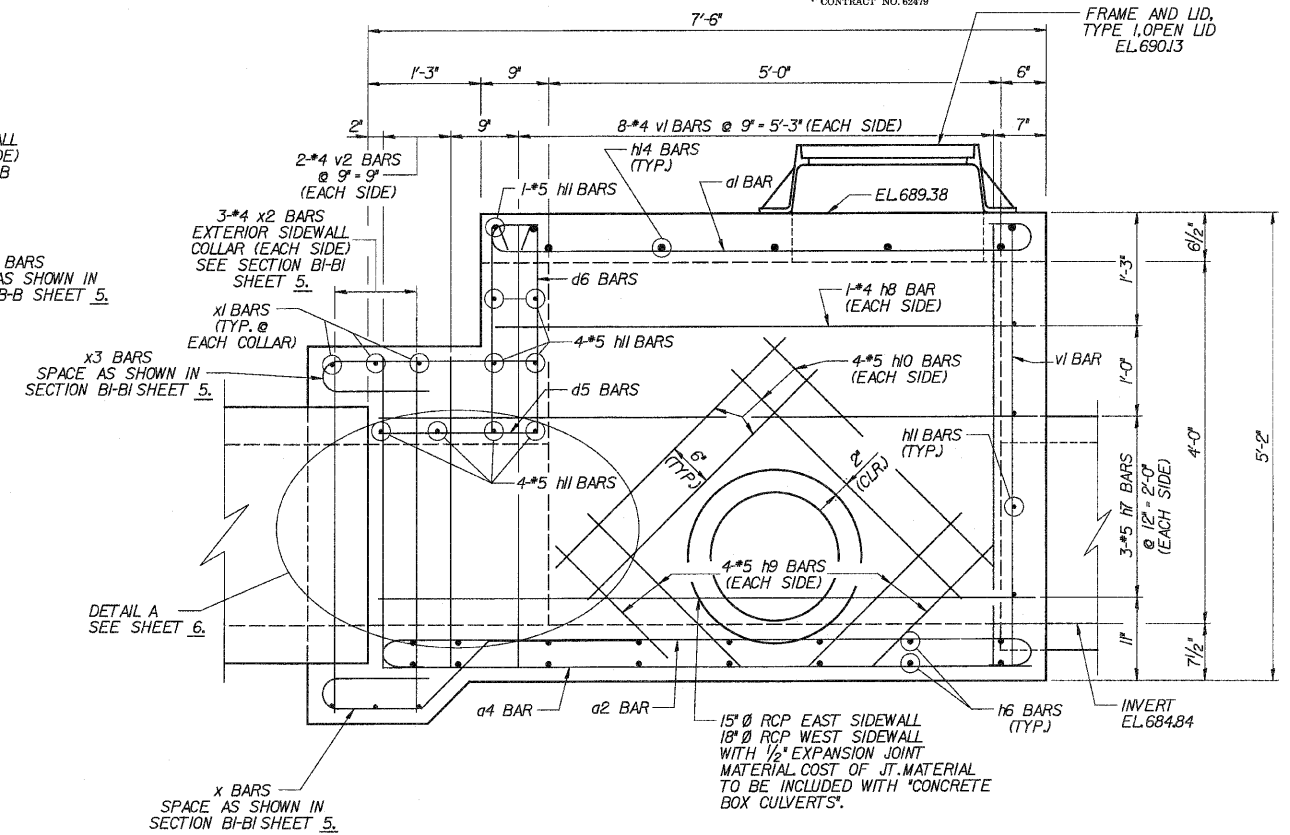
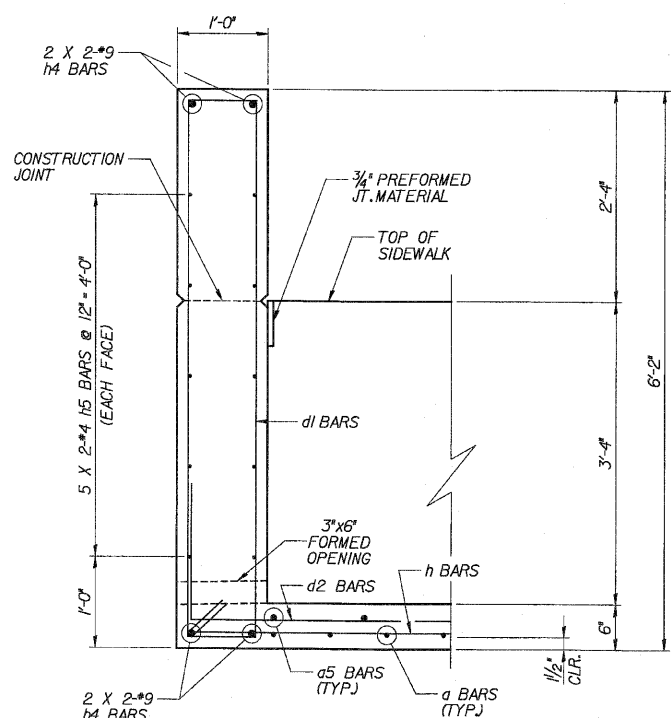


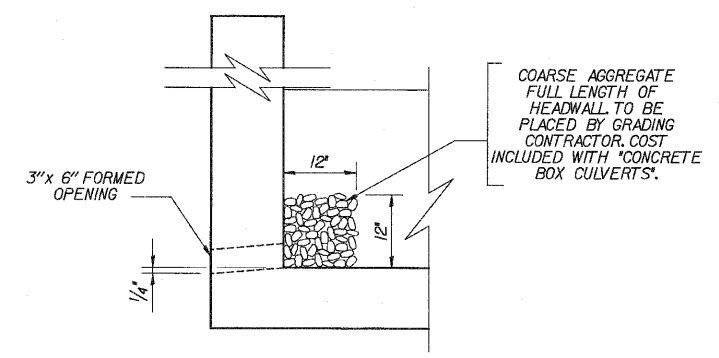
ELEVATION



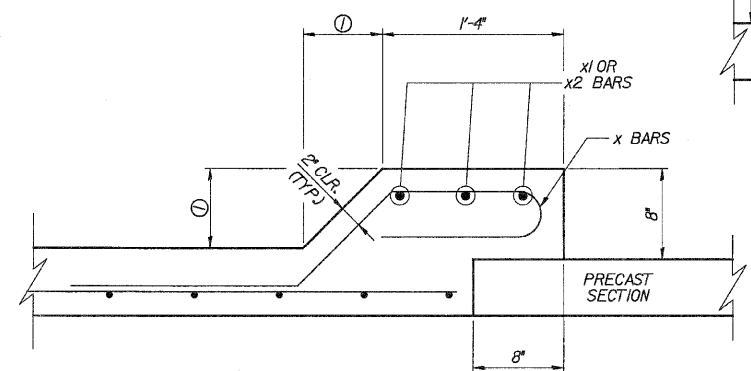
NOTE:
FIELD CUT #6 AND #7 BARS
TO FIT AROUND OPENING FOR PIPE.



HEADWALL DETAIL



**OUTLET END
DRAIN DETAIL**

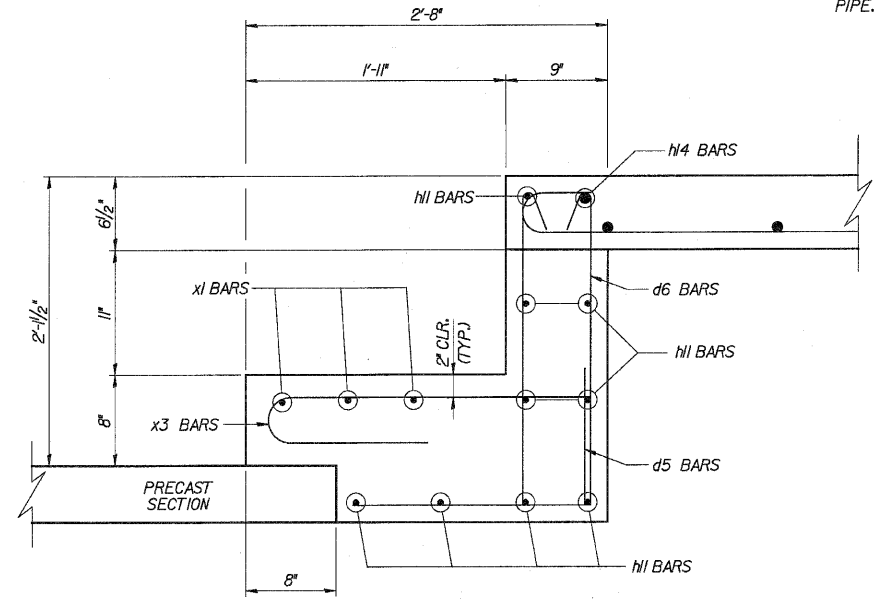


**PRECAST TO CAST-IN-PLACE
CONNECTION COLLAR**

① TOP SLAB - 7"
BOTTOM SLAB - 6"
SIDEWALLS - 7"
BOTTOM SLAB, JUNCTION CHAMBER - 5 1/2"

DESIGNED	ASP
CHECKED	CDS
DRAWN	BEM
CHECKED	ASP

NOTE:
BARS INDICATED THUS 5 X 2 - #4, etc.
INDICATES 5 LINES OF BARS WITH 2
LENGTHS PER LINE.



DLZ 85 W. Algonquin Rd. Ste. 220
Arlington Heights IL 60005

CULVERT 'B'
END SECTION ELEVATION
U.S. ROUTE 30 (LINCOLN HIGHWAY)
F.A.P. 353 (U.S. 30)
SECTION (12 & 13) WRS-3
STATION 158+00.00
WILL COUNTY
STRUCTURE NUMBER 099-C011

REVISIONS	
NAME	DATE