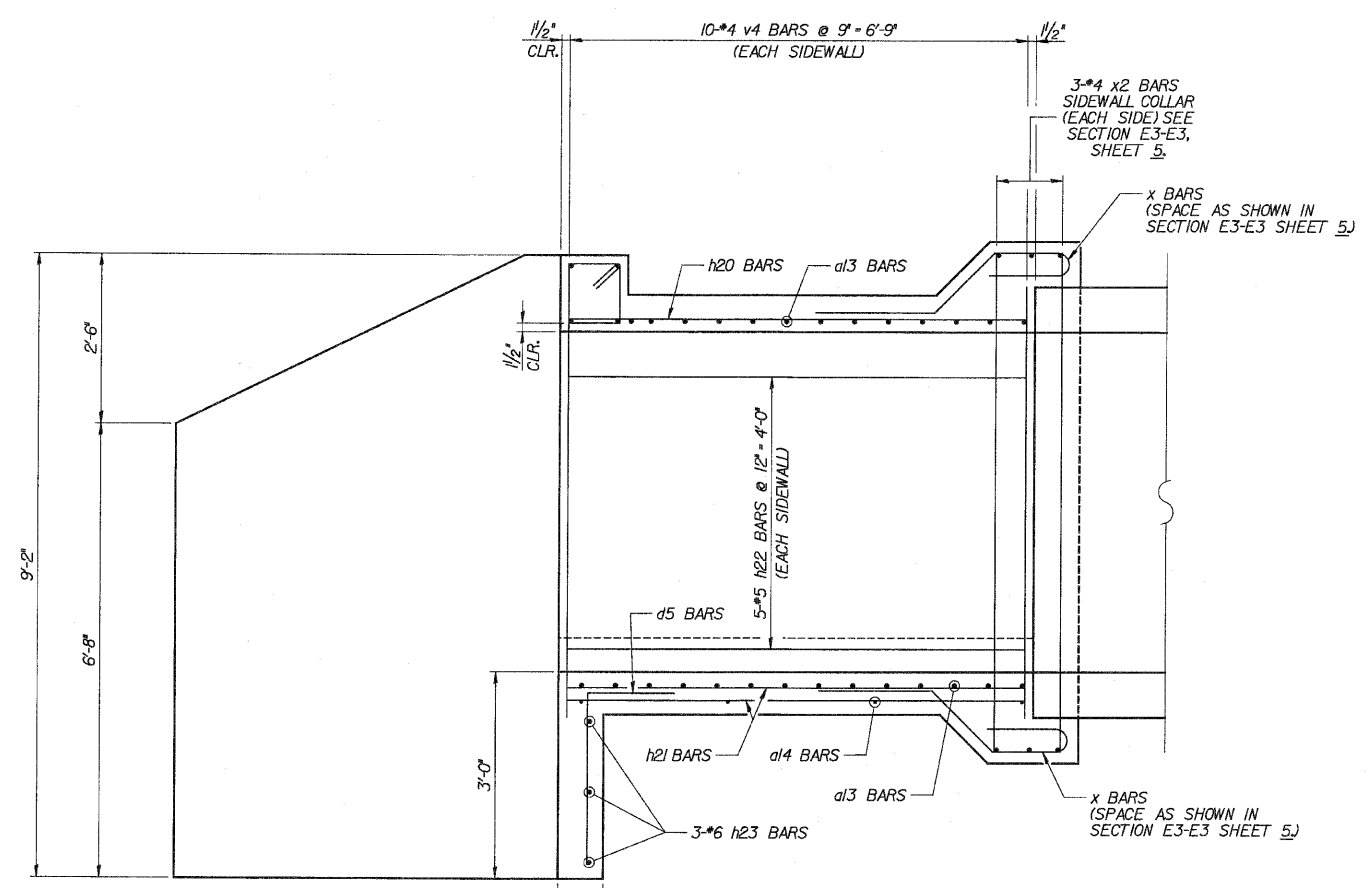
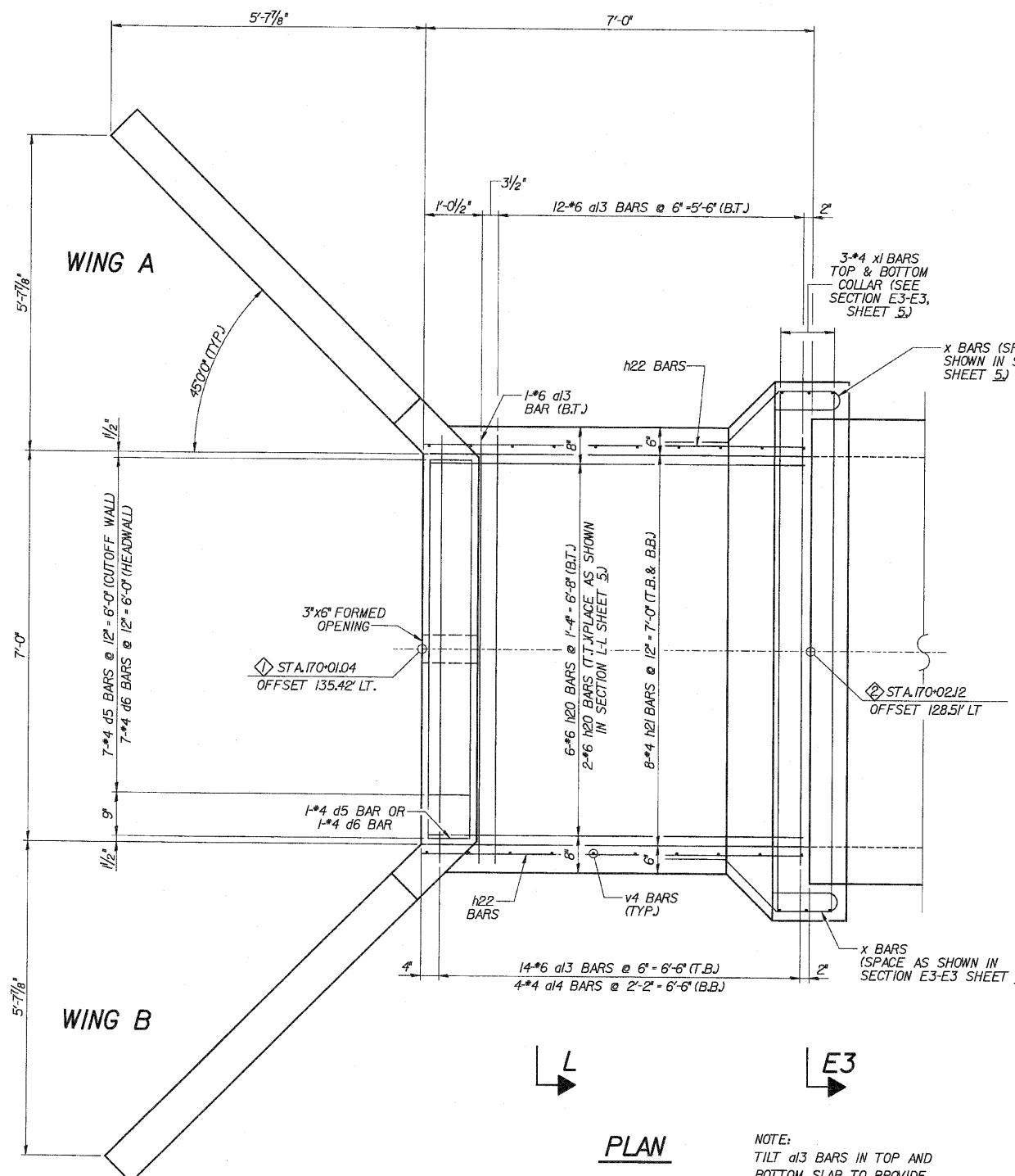


ROUTE NO.	SECTION	COUNTY	TOTAL SHEETS	SHEET NO.
FAP 353	*	WILL	1235	631
FED. ROAD DIST.		ILLINOIS	FED. AID PROJECT	

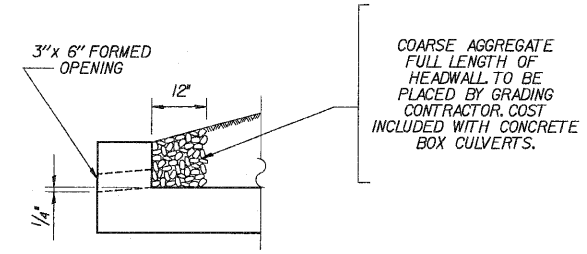
* SECT. (12 & 13) WRS-3
* CONTRACT NO. 62479



ELEVATION

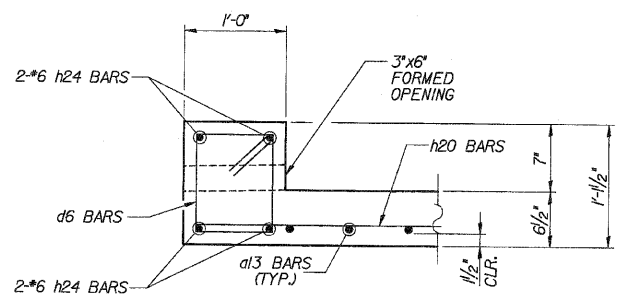
PLAN

NOTE:
TILT d13 BARS IN TOP AND
BOTTOM SLAB TO PROVIDE
REQUIRED CLEARANCE.

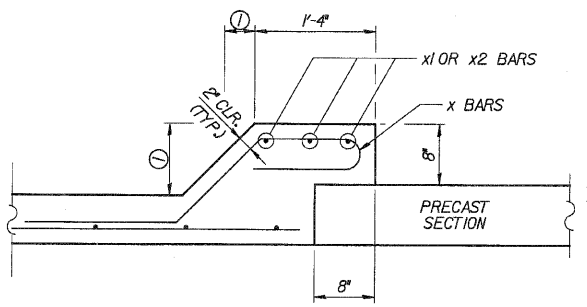


OUTLET END

COARSE AGGREGATE
FULL LENGTH OF
HEADWALL TO BE
PLACED BY GRADING
CONTRACTOR. COST
INCLUDED WITH CONCRETE
BOX CULVERTS.



HEADWALL DETAIL



**PRECAST TO CAST-IN-PLACE
CONNECTION COLLAR**

① TOP SLAB - 9 1/2\"/>

LEGEND

T.T. - TOP OF TOP SLAB
B.T. - BOTTOM OF TOP SLAB
T.B. - TOP OF BOTTOM SLAB
B.B. - BOTTOM OF BOTTOM SLAB

REVISIONS	
NAME	DATE

DESIGNED	ASP
CHECKED	CDS
DRAWN	BEM
CHECKED	ASP

DLZ 85 W. Algonquin Rd. Ste. 220
Arlington Heights IL 60005
DLZ Illinois, Inc.

CULVERT 'C'
OUTLET PLAN & ELEVATION
U.S. ROUTE 30 (LINCOLN HIGHWAY)
F.A.P. 353 (U.S. 30)
SECTION (12 & 13) WRS-3
STATION 170+61.58, 76.55' LT.
WILL COUNTY
STRUCTURE NUMBER 099-C012