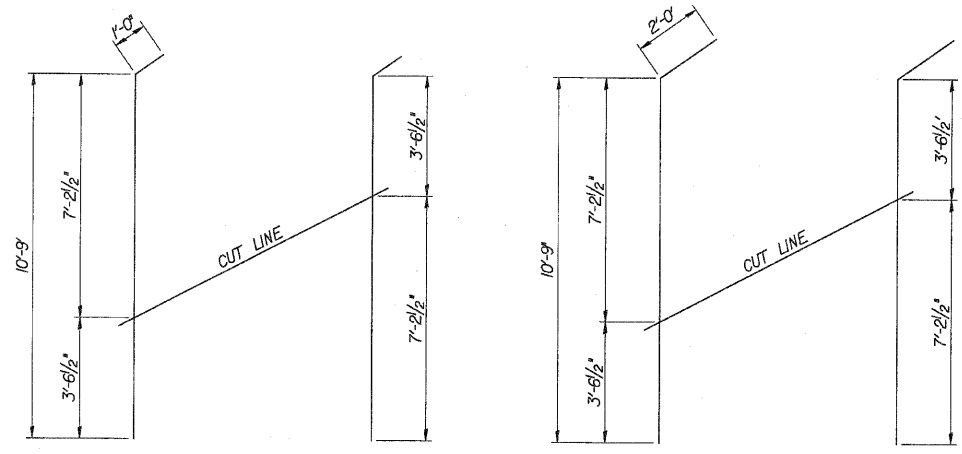


\* SECT. (12 & 13) WRS-3  
\* CONTRACT NO. 02479

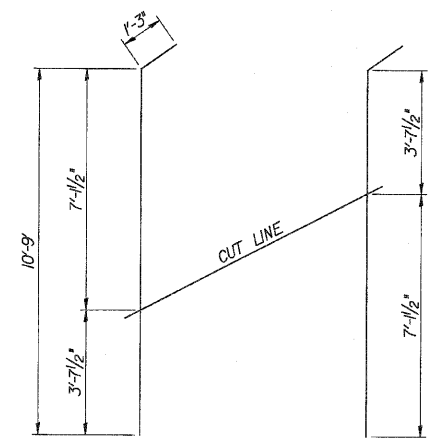
**BILL OF MATERIAL**

Bar	No.	Size	Length	Shape
a	39	6	6'-10"	
a1	15	6	8'-4"	
a2	4	4	5'-7"	
a3	3	4	7'-1"	
a4	20	10	10'-7"	
a5	8	10	10'-11"	
a6	4	10	11'-4"	
a7	10	5	7'-9"	
a8	4	5	8'-1"	
a9	2	5	8'-6"	
a10	6	4	7'-9"	
a11	2	4	8'-2"	
a12	1	4	8'-8"	
a13	27	6	9'-0"	
a14	4	4	7'-8"	
d	15	5	12'-0"	
d1	15	5	3'-4"	
d2	10	5	5'-8"	
d3	8	5	2'-11"	
d4	3	5	9'-3"	
d5	8	4	4'-5"	
d6	8	4	4'-3"	
h	7	6	14'-7"	
h1	10	4	14'-7"	
h2	21	7	14'-7"	
h3	2	7	9'-5"	
h4	4	4	9'-5"	
h5	20	7	5'-7"	
h6	4	5	9'-8"	
h7	4	5	6'-7"	
h8	2	5	3'-9"	
h9	4	5	3'-4"	
h10	8	4	11'-9"	
h11	7	7	12'-9"	
h12	12	5	12'-0"	
h13	6	5	8'-6"	
h14	6	5	7'-3"	
h15	6	5	4'-8"	
h16	6	5	3'-5"	
h17	8	5	3'-4"	
h18	4	5	3'-9"	
h19	8	5	3'-3"	
h20	8	6	6'-9"	
h21	16	4	6'-9"	
h22	10	5	6'-9"	
h23	3	6	7'-5"	
h24	4	6	6'-9"	
h25	16	7	11'-1"	
h26	16	7	8'-0"	
v	53	4	9'-10"	
v1	42	4	2'-7"	
v2	10	4	7'-0"	
v3	31	4	6'-9"	
v4	20	4	5'-10"	
v5	2	4	6'-7"	
v6	4	4	8'-0"	
v7	2	4	8'-11"	
x	105	4	5'-5"	
x1	24	4	9'-4"	
x2	24	4	7'-4"	
x3	23	4	4'-0"	
CONCRETE BOX CULVERTS			CU. YD.	37.2
REINFORCEMENT BARS			POUND	7,294



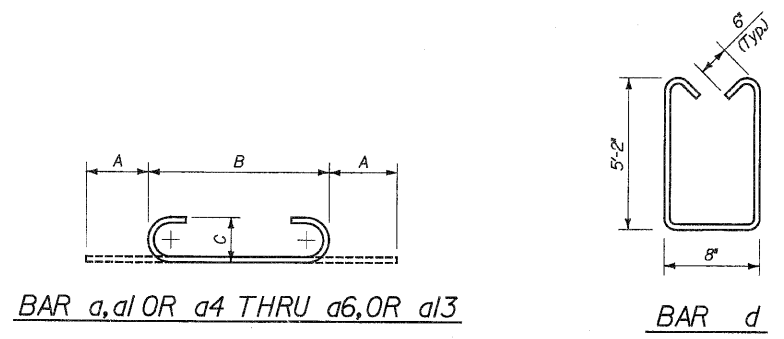
**BARS h10**  
h0-8 BARS-1 SET

**BARS h11**  
h1-7 BARS-1 SET



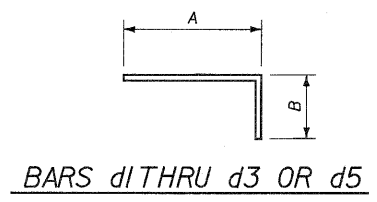
**BARS h12**  
h2-6 BARS-2 SETS

**BAR CUTTING DIAGRAMS**

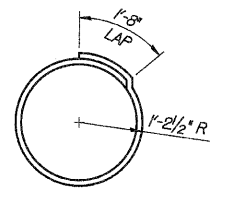


**BAR a, a1 OR a4 THRU a6, OR a13**

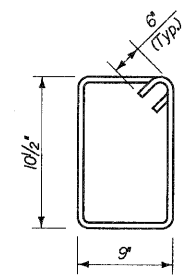
**BAR d**



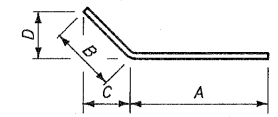
**BARS d1 THRU d3 OR d5**



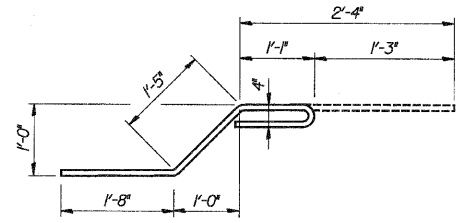
**BARS d4**



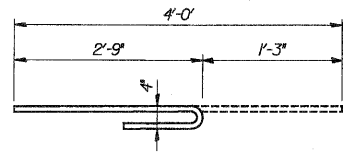
**BAR d6**



**BARS h10 THRU h13, h15, h25 OR h26**



**BAR x**



**BAR x3**

**BAR BENDING DIAGRAMS**

Bar	A		B		C		D	
	Ft.	In.	Ft.	In.	Ft.	In.	Ft.	In.
a	0	8	5	6	0	6		
a1	0	8	7	0	0	6		
a4	1	5	7	9	1	1 1/4		
a5	1	5	8	1	1	1 1/4		
a6	1	5	8	6	1	1 1/4		
a13	0	8	7	8	0	6		
d1	2	1	1	3				
d2	3	7	2	1				
d3	1	8	1	3				
d5	2	8	1	9				
h10	10	9	1	0	0	6 1/8	0	9 1/8
h11	10	9	2	0	1	1 3/4	1	7 3/8
h12	10	9	1	3	0	8 3/8	1	0 1/4
h13	7	3	1	3	0	8 3/8	1	0 1/4
h15	3	5	1	3	0	8 3/8	1	0 1/4
h25	8	1	3	0	2	1 1/2	2	1 1/2
h26	5	0	3	0	2	1 1/2	2	1 1/2

DESIGNED	ASP
CHECKED	CDS
DRAWN	BEM
CHECKED	ASP

REVISIONS	
NAME	DATE

**DLZ** 85 W. Algonquin Rd. Ste. 220  
Arlington Heights IL 60005  
DLZ Illinois, Inc.

**CULVERT 'C'**  
**BARBILL AND DETAILS**  
U.S. ROUTE 30 (LINCOLN HIGHWAY)  
F.A.P. 353 (U.S. 30)  
SECTION (12 & 13) WRS-3  
STATION 170+61.58, 76.55' LT.  
WILL COUNTY  
STRUCTURE NUMBER 099-C012