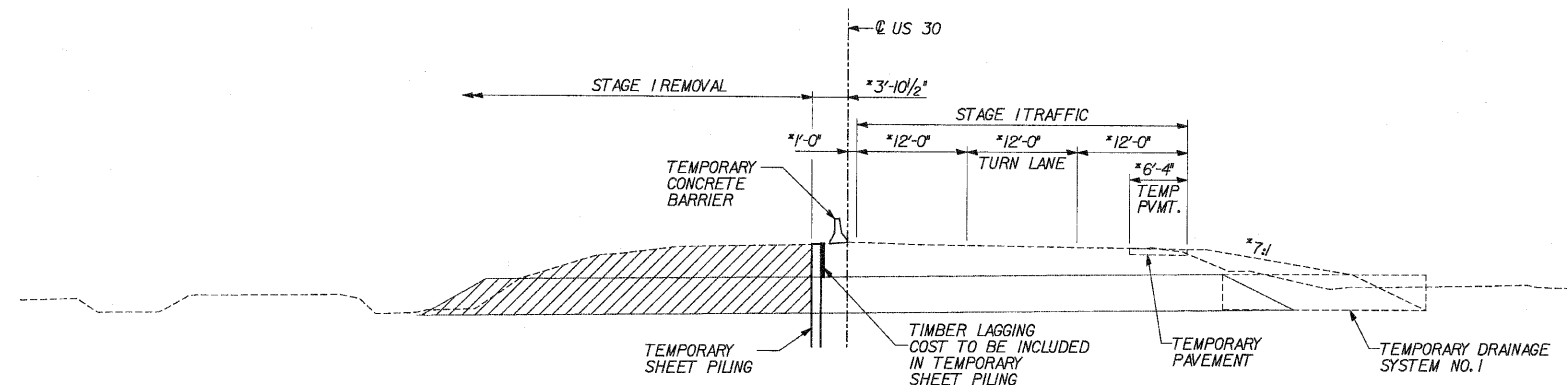
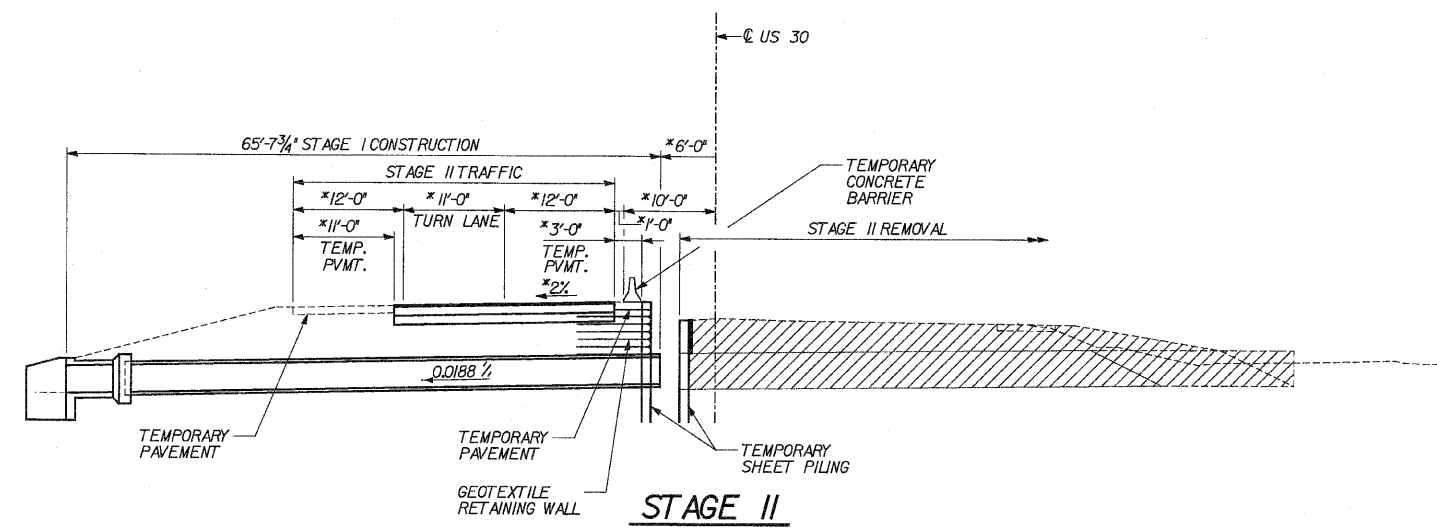


ROUTE NO.	SECTION	COUNTY	TOTAL SHEETS	SHEET NO.
FAP 353	*	WILL	1235	640
FED. ROAD DIST. #	ILLINOIS	FED. AID PROJECT		

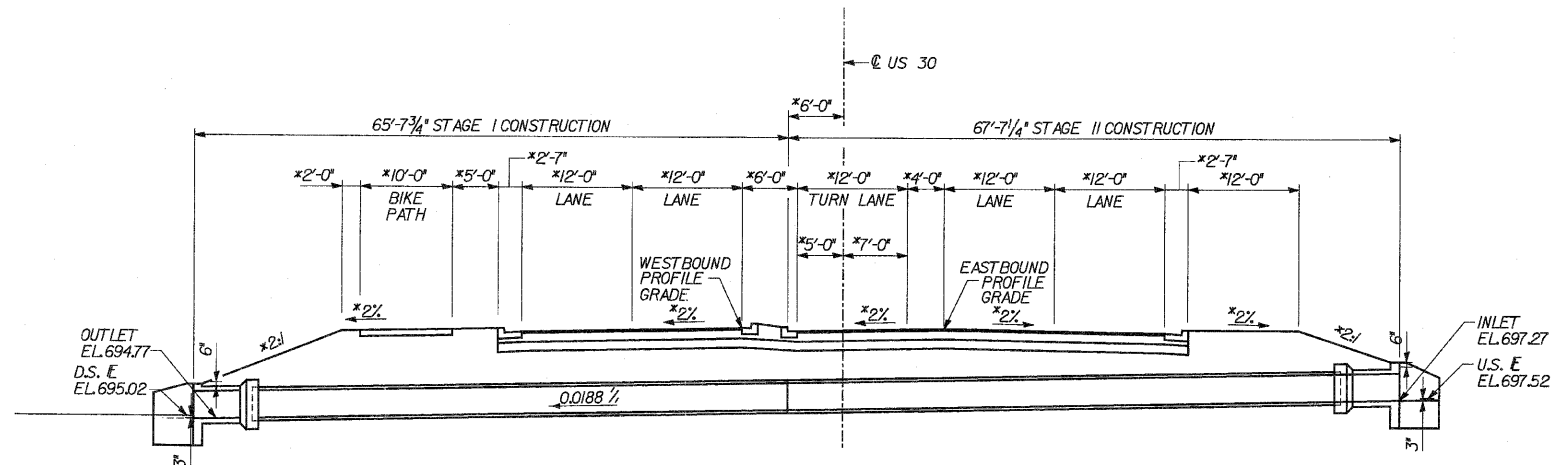
* SECT. 112 & 131 WRS-3
* CONTRACT NO. 02479



STAGE I



STAGE II



FINAL CROSS SECTION

*MEASURED PERPENDICULAR TO CENTERLINE OF ROADWAY

LEGEND



PROPOSED STAGING NOTES

- STAGE I REMOVAL AND CONSTRUCTION
1. MAINTAIN TWO LANES OF TRAFFIC.
 2. INSTALL TEMPORARY DRAINAGE SYSTEM NO. 1 AND TEMPORARY PAVEMENT.
 3. INSTALL TEMPORARY CONCRETE BARRIER.
 4. INSTALL STAGE I TEMPORARY SHEET PILING AND TIMBER LAGGING.
 5. REMOVE PORTION OF NORTHERN END OF EXISTING STRUCTURE.
 6. CONSTRUCT STAGE I PORTION OF THE STRUCTURE.
 7. INSTALL STAGE II TEMPORARY SHEET PILING.
 8. INSTALL GEOTEXTILE RETAINING WALL DURING BACKFILL OPERATIONS.
 9. CONSTRUCT ROADWAY PAVEMENT & TEMPORARY PAVEMENT.
- STAGE II REMOVAL AND CONSTRUCTION
1. INSTALL TEMPORARY CONCRETE BARRIER.
 2. REMOVE REMAINDER OF EXISTING STRUCTURE AND TEMPORARY DRAINAGE SYSTEM NO. 1.
 3. CONSTRUCT STAGE II PORTION OF THE STRUCTURE.
 4. CONSTRUCT ROADWAY PAVEMENT.

DESIGNED	ASP
CHECKED	WSP
DRAWN	BGC
CHECKED	ASP

REVISIONS	
NAME	DATE

DLZ 85 W. Algonquin Rd. Ste. 220
Arlington Heights IL 60005

CULVERT 'D'
PROPOSED STAGING PLANNING
U.S. ROUTE 30 (LINCOLN HIGHWAY)
F.A.P. 353 (U.S. 30)
SECTION (12 & 13) WRS-3
STATION 256+75.00
WILL COUNTY
STRUCTURE NUMBER 099-C014