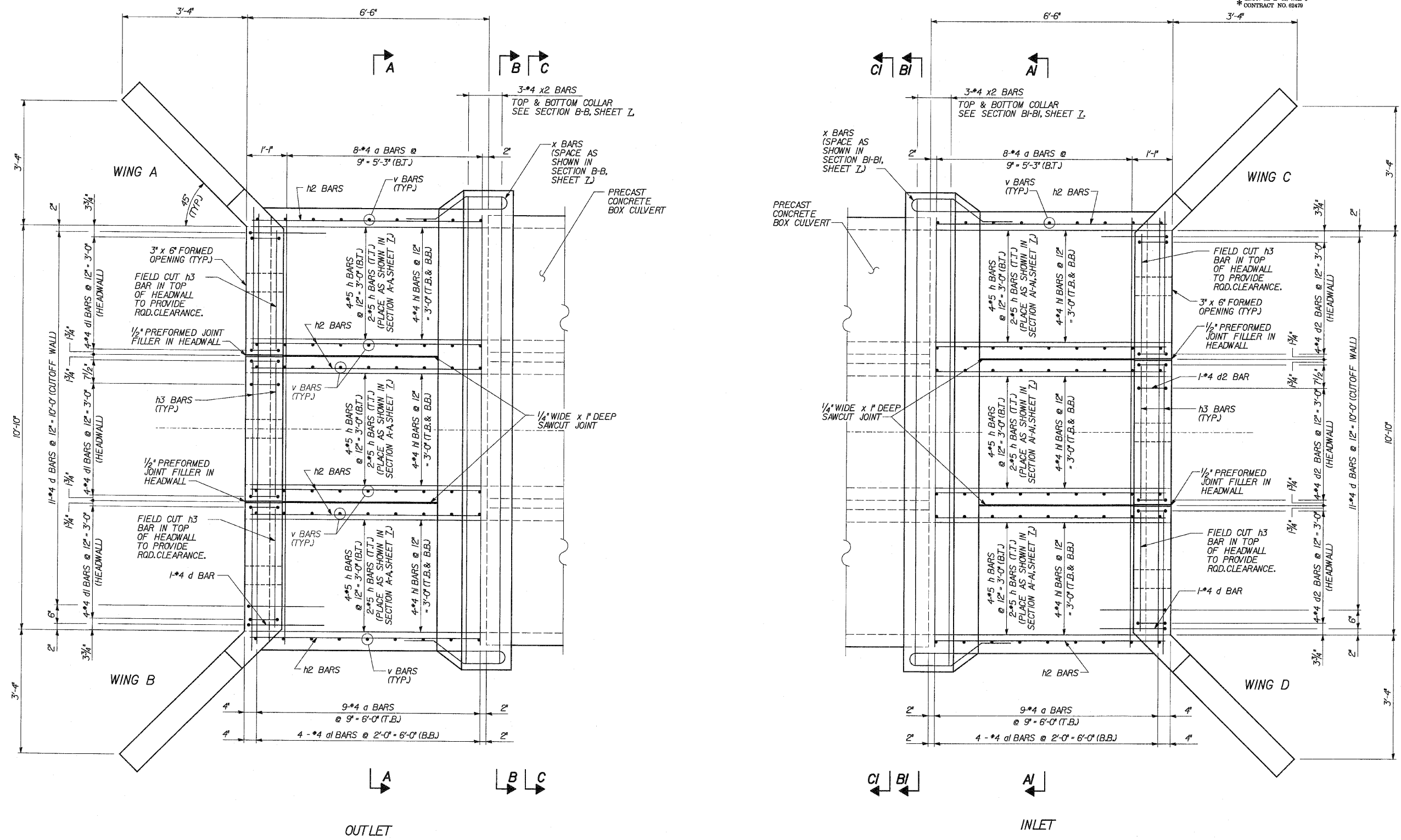


ROUTE NO.	SECTION	COUNTY	TOTAL SHEETS	SHEET NO.
FAP 353	*	WILL	1235	643
FED. ROAD DIST. #	ILLINOIS	FED. AID PROJECT		



PLAN

DESIGNED	CDS
CHECKED	ASP
DRAWN	EvH
CHECKED	CDS

LEGEND

T.T. - TOP OF TOP SLAB
B.T. - BOTTOM OF TOP SLAB
T.B. - TOP OF BOTTOM SLAB
B.B. - BOTTOM OF BOTTOM SLAB

REVISIONS	
NAME	DATE

DLZ 85 W. Algonquin Rd. Ste. 220
Arlington Heights IL 60005
DLZ Illinois, Inc.

CULVERT 'D'
END SECTIONS PLAN
U.S. ROUTE 30 (LINCOLN HIGHWAY)
F.A.P. 353 (U.S. 30)
SECTION (12 & 13) WRS-3
STATION 256+75.00
WILL COUNTY
STRUCTURE NUMBER 099-C014