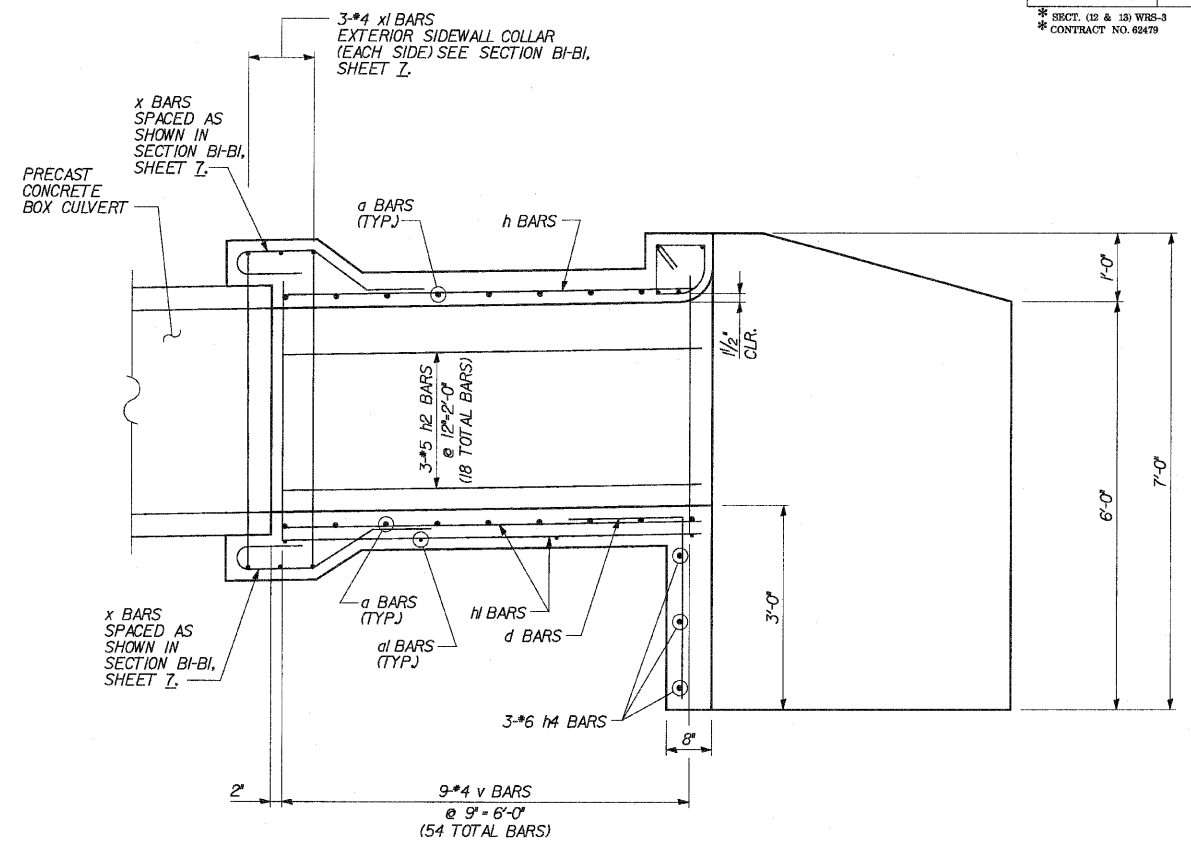
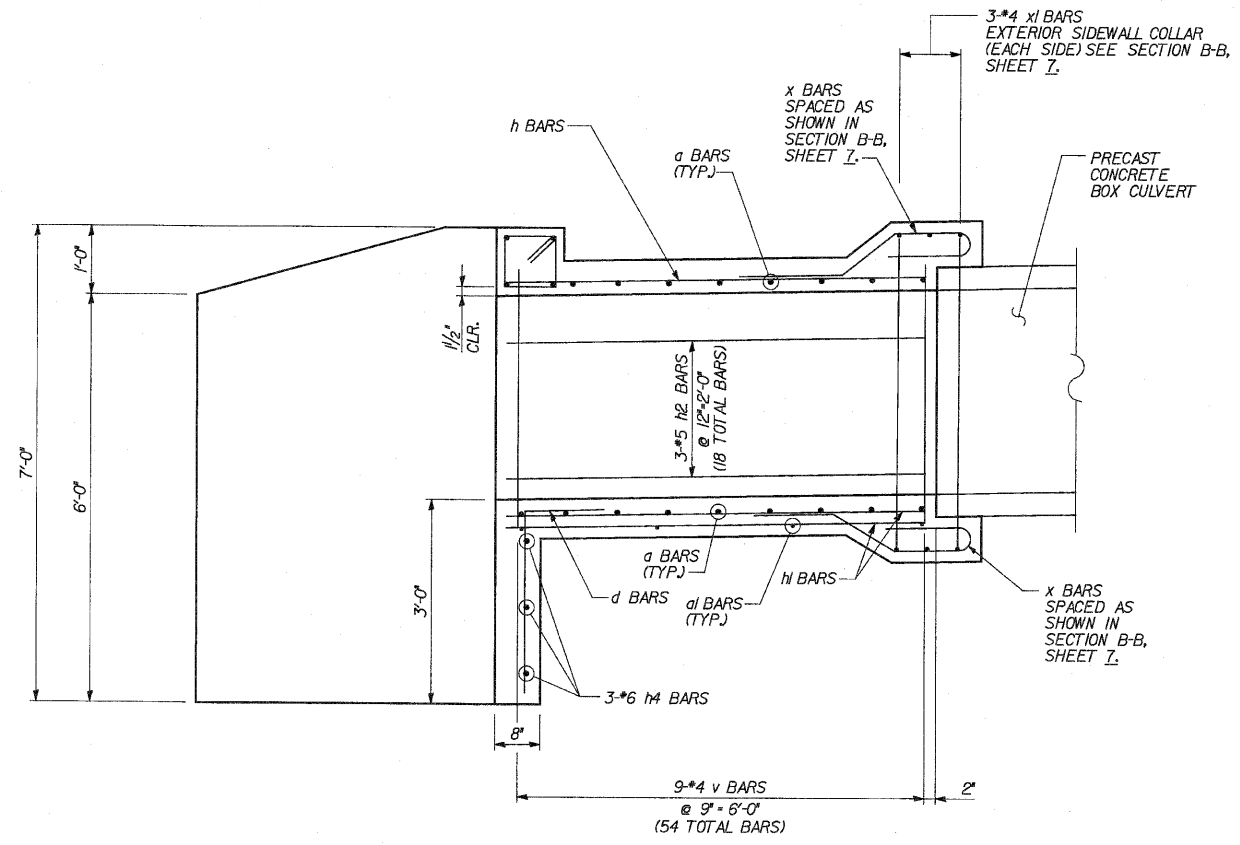


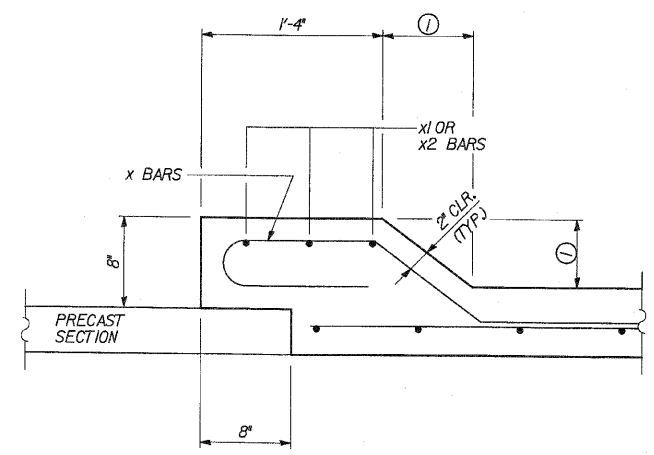
\* SECT. (12 & 13) WRS-3  
\* CONTRACT NO. 62479



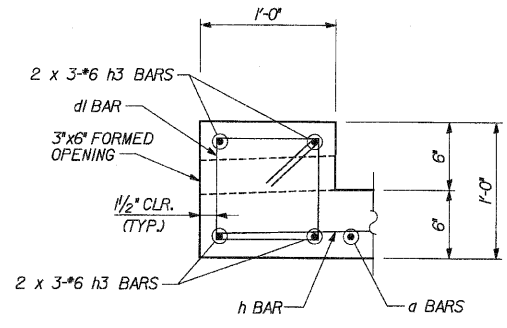
OUTLET

INLET

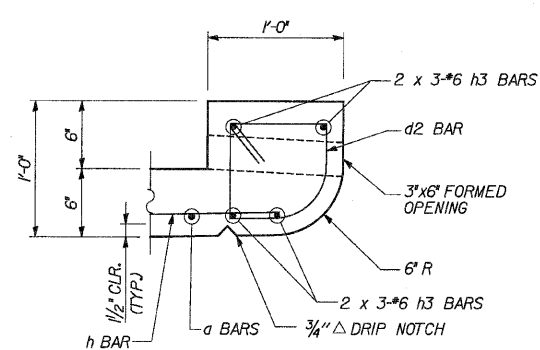
ELEVATION



PRECAST TO CAST-IN-PLACE CONNECTION COLLAR

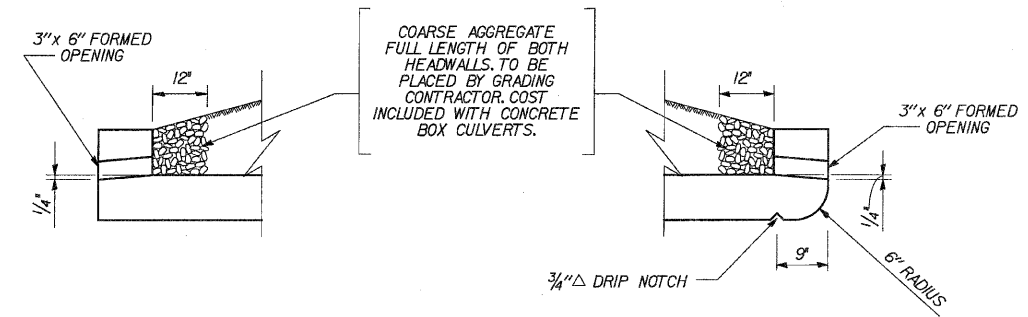


DOWNSTREAM END



UPSTREAM END

HEADWALL DETAILS



DOWNSTREAM ONLY

UPSTREAM ONLY

DRAIN DETAIL

① TOP SLAB = 6'  
BOTTOM SLAB = 5'  
SIDEWALLS = 6'

NOTE:  
BARS INDICATED THUS 2 x 3 #6 ETC.  
INDICATES 2 LINES OF BARS WITH 3  
LENGTHS PER LINE.

DESIGNED	CDS
CHECKED	ASP
DRAWN	EvH
CHECKED	CDS

REVISIONS	
NAME	DATE

**DLZ** 85 W. Algonquin Rd. Ste. 220  
Arlington Heights IL 60005  
DLZ Illinois, Inc.

**CULVERT 'D'**  
**END SECTION ELEVATION**  
U.S. ROUTE 30 (LINCOLN HIGHWAY)  
F.A.P. 353 (U.S. 30)  
SECTION (12 & 13) WRS-3  
STATION 256+75.00  
WILL COUNTY  
STRUCTURE NUMBER 099-C014