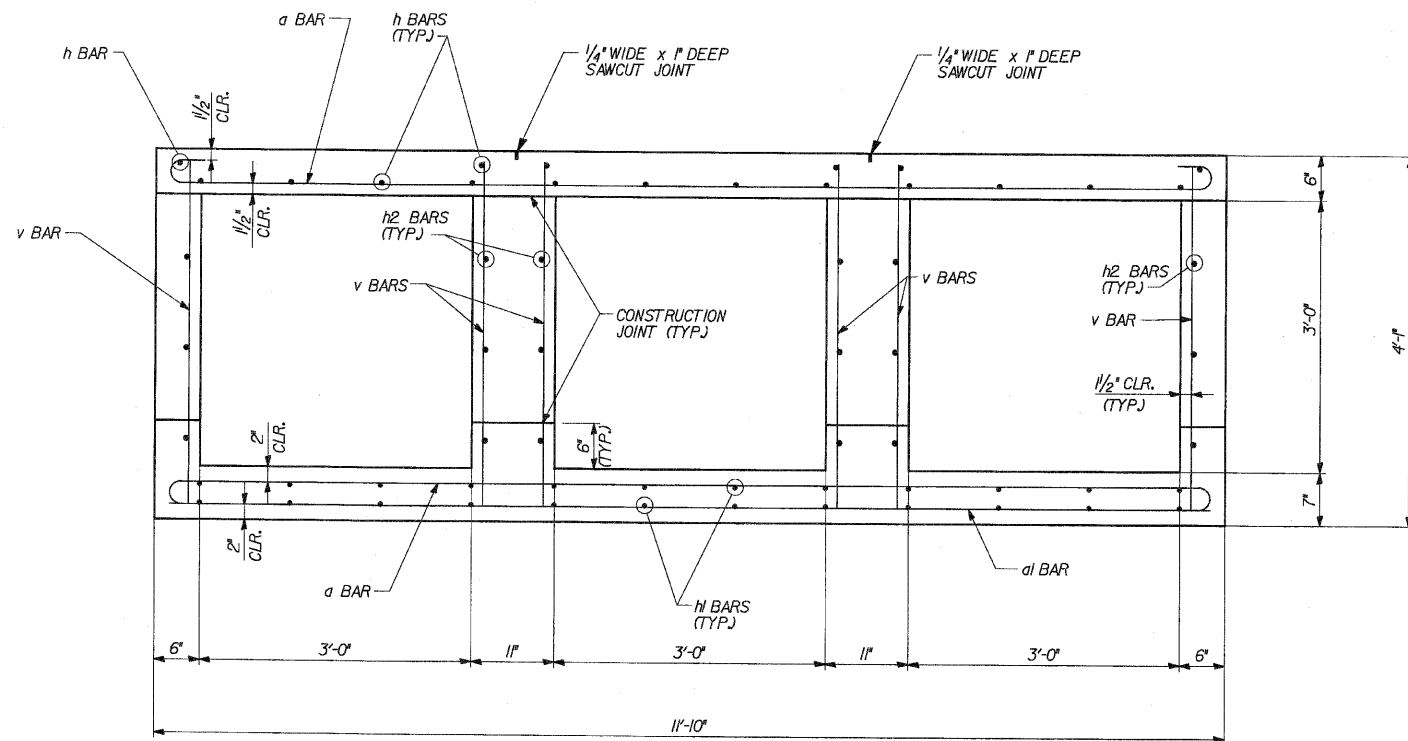
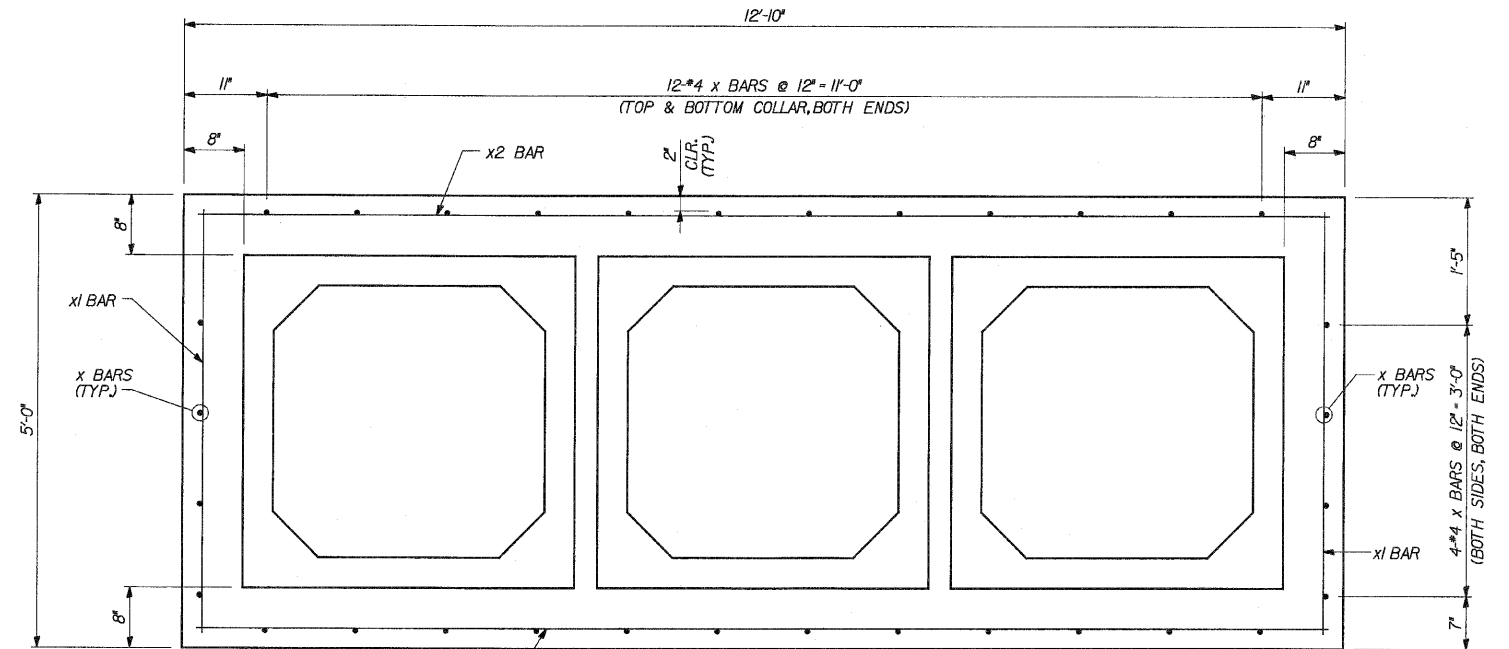


ROUTE NO.	SECTION	COUNTY	TOTAL SHEETS	SHEET NO.
PAP 353	*	WILL	1235	645
FED. ROAD DIST. #		ILLINOIS	FED. AID PROJECT	
* SECT. (12 & 13) WRS-3				
* CONTRACT NO. 62479				



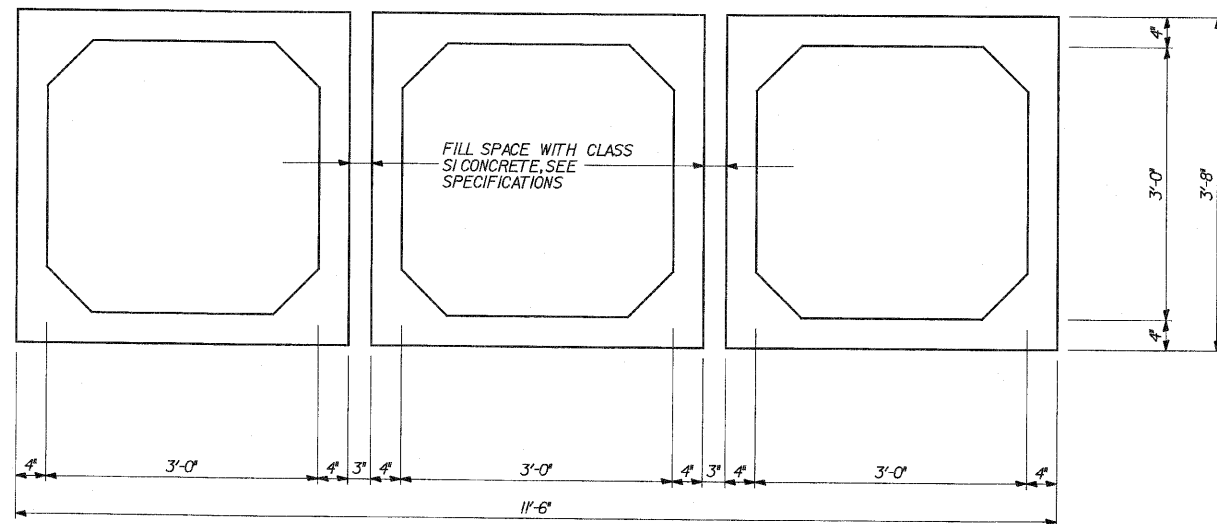
CAST-IN PLACE TYPICAL SECTION
SECTION A-A & A1-A1

NOTE:
TILT HOOK BARS IN TOP AND
BOTTOM SLAB TO PROVIDE
REQUIRED CLEARANCE.



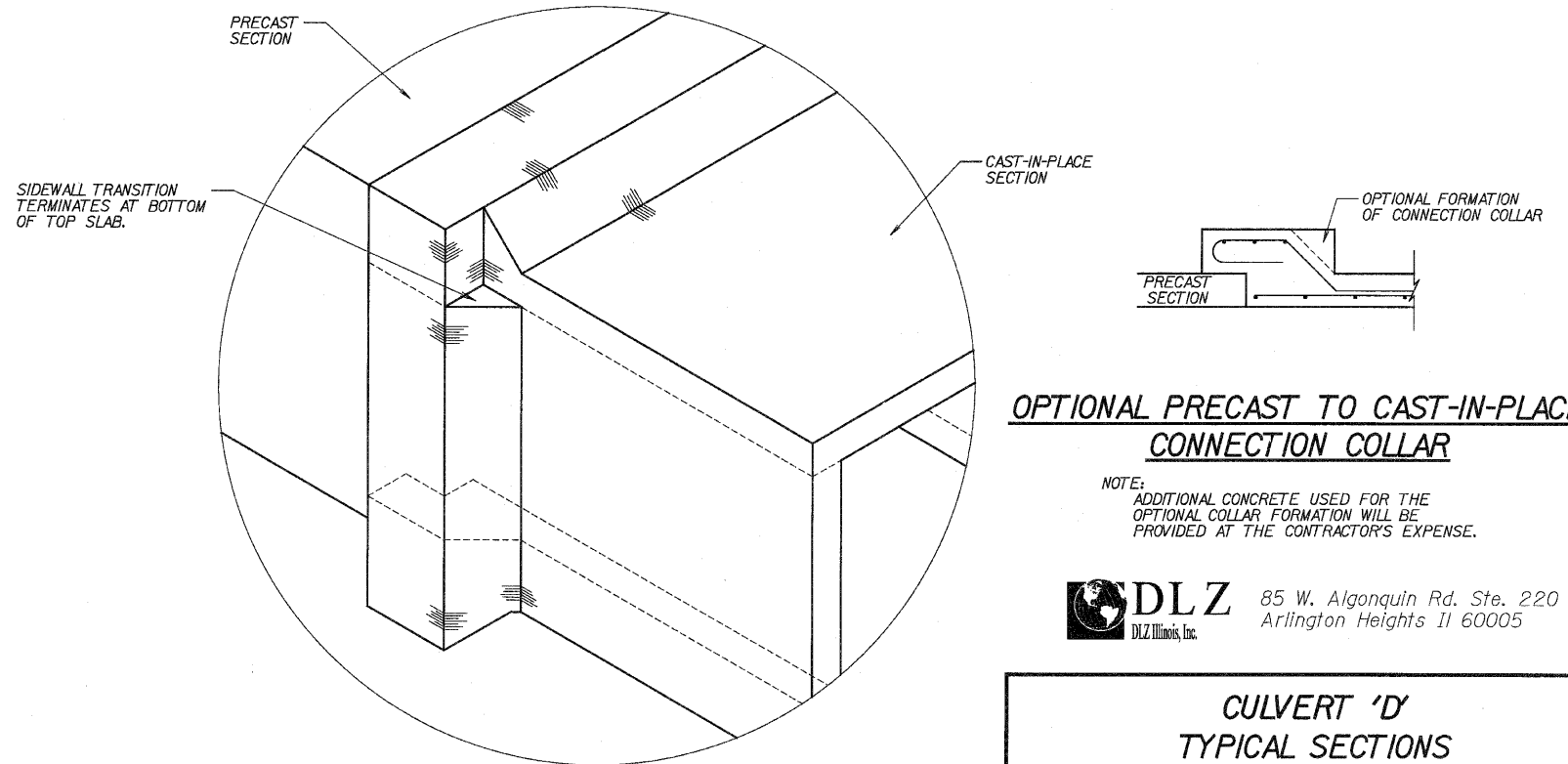
PRECAST TO CAST-IN-PLACE CONNECTION COLLAR

SECTION B-B & B1-B1



PRECAST TYPICAL SECTION
SECTION C-C & C1-C1

NOTE:
CLASS S1 CONCRETE TO BE
POURED BETWEEN PRECAST SECTIONS
PRIOR TO FORMING AND POURING
CAST-IN-PLACE END SECTIONS



**ISOMETRIC VIEW OF
CONNECTION COLLAR**

**OPTIONAL PRECAST TO CAST-IN-PLACE
CONNECTION COLLAR**

NOTE:
ADDITIONAL CONCRETE USED FOR THE
OPTIONAL COLLAR FORMATION WILL BE
PROVIDED AT THE CONTRACTOR'S EXPENSE.

DLZ 85 W. ALGONQUIN RD. STE. 220
ARLINGTON HEIGHTS, IL 60005
DLZ Illinois, Inc.

DESIGNED	CDS
CHECKED	ASP
DRAWN	EvH
CHECKED	CDS

REVISIONS	
NAME	DATE

CULVERT 'D'
TYPICAL SECTIONS
U.S. ROUTE 30 (LINCOLN HIGHWAY)
F.A.P. 353 (U.S. 30)
SECTION (12 & 13) WRS-3
STATION 256+75.00
WILL COUNTY
STRUCTURE NUMBER 099-C014