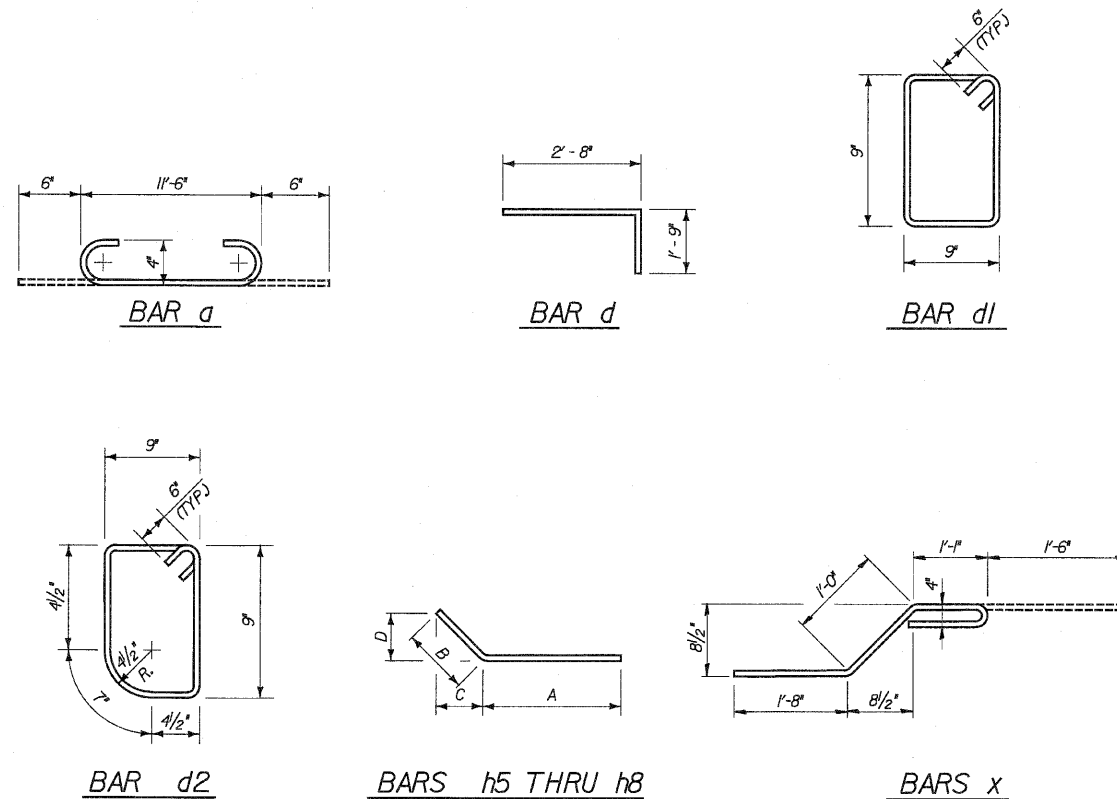


**BILL OF MATERIAL**

Bar	No.	Size	Length	Shape
a	34	4	12'-6"	
al	8	4	11'-6"	
d	24	4	4'-5"	
d1	13	4	4'-0"	
d2	13	4	3'-10"	
h	36	5	6'-1"	
h1	48	4	6'-2"	
h2	36	5	6'-2"	
h3	24	6	3'-7"	
h4	6	6	10'-9"	
h5	16	4	9'-0"	
h6	16	4	7'-10"	
h7	8	4	8'-0"	
h8	16	4	7'-10"	
v	108	4	3'-9"	
v1	32	4	3'-5"	
v2	4	4	6'-8"	
v3	4	4	6'-6"	
v4	4	4	6'-0"	
v5	4	4	5'-8"	
v6	2	4	6'-8"	
v7	4	4	6'-3"	
v8	2	4	5'-8"	
x	64	4	5'-3"	
x1	12	4	4'-8"	
x2	12	4	12'-6"	
CONCRETE BOX CULVERTS			CU. YD.	17.0
REINFORCEMENT BARS			POUND	2,479



**BAR BENDING DIAGRAMS**

Bar	A		B		C		D	
	Ft.	In.	Ft.	In.	Ft.	In.	Ft.	In.
h5	5	0	4	0	2	10	2	10
h6	4	10	3	0	2	1 1/2	2	1 1/2
h7	5	0	3	0	2	1 1/2	3	6 3/8
h8	4	10	3	0	2	1 1/2	2	1 1/2

DESIGNED	CDS
CHECKED	ASP
DRAWN	EvH
CHECKED	CDS

REVISIONS	
NAME	DATE

**DLZ** 85 W. Algonquin Rd. Ste. 220  
Arlington Heights IL 60005  
DLZ Illinois, Inc.

**CULVERT 'D'**  
**BARBILL & DETAILS**  
U.S. ROUTE 30 (LINCOLN HIGHWAY)  
F.A.P. 353 (U.S. 30)  
SECTION (12 & 13) WRS-3  
STATION 256+75.00  
WILL COUNTY  
STRUCTURE NUMBER 099-C014