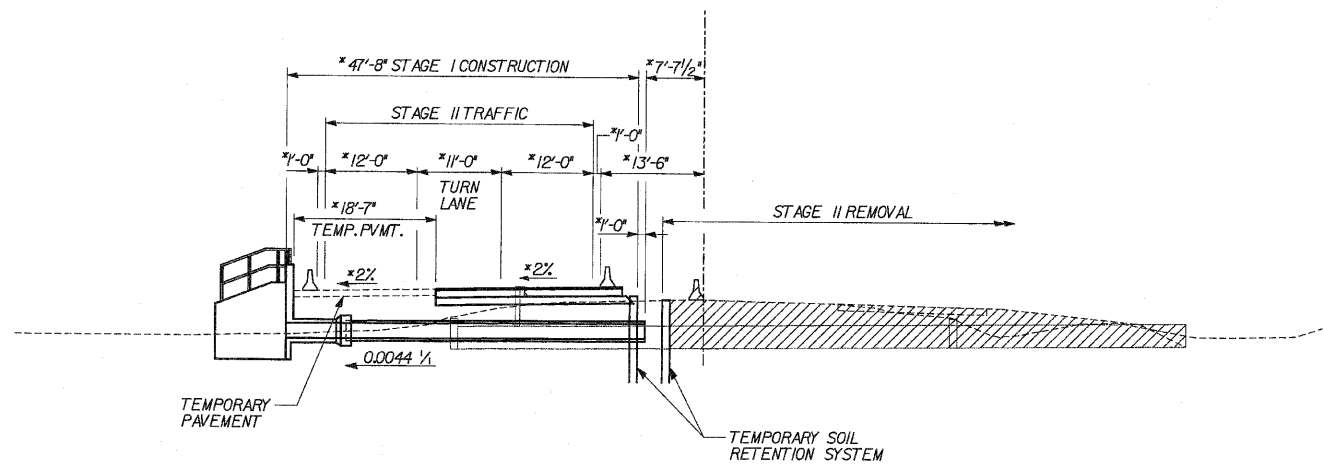
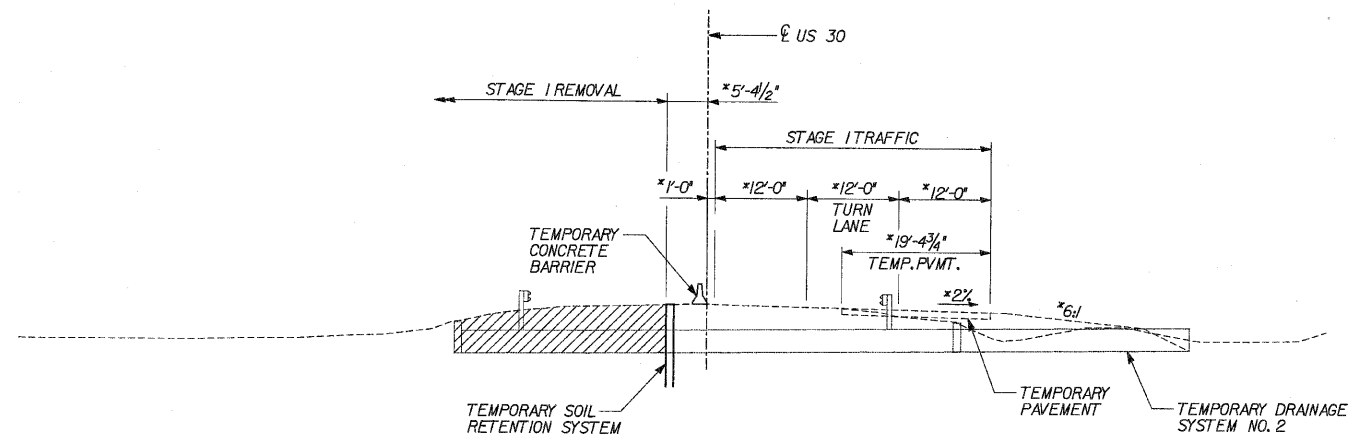
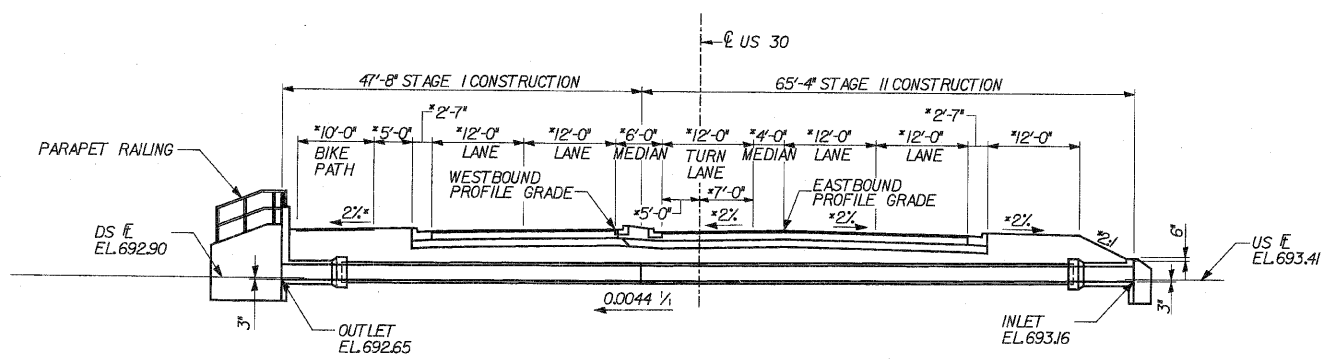


| ROUTE NO. | SECTION | COUNTY | TOTAL SHEETS | SHEET NO. |
|-----------------|---------|----------|------------------|-----------|
| FAP 353 | * | WILL | 1235 | 651 |
| FED. ROAD DIST. | | ILLINOIS | FED. AID PROJECT | |

* SECT. 12 & 13 WRS-3
* CONTRACT NO. 62478



STAGE II



FINAL CROSS SECTION

* MEASURED PERPENDICULAR TO CENTERLINE OF ROADWAY

PROPOSED STAGING NOTES

- STAGE I REMOVAL AND CONSTRUCTION**
1. MAINTAIN TWO LANES OF TRAFFIC.
 2. REMOVE EXISTING CULVERT HEADWALL AND INSTALL TEMPORARY DRAINAGE SYSTEM NO. 2.
 3. CONSTRUCT TEMPORARY PAVEMENT AND INSTALL TEMPORARY CONCRETE BARRIERS.
 4. INSTALL STAGE I TEMPORARY SOIL RETENTION SYSTEM.
 5. REMOVE PORTION OF NORTHERN END OF EXISTING STRUCTURE.
 6. CONSTRUCT STAGE I PORTION OF THE STRUCTURE.
 7. INSTALL STAGE II TEMPORARY SOIL RETENTION SYSTEM.
 8. CONSTRUCT ROADWAY PAVEMENT AND TEMPORARY PAVEMENT.
- STAGE II REMOVAL AND CONSTRUCTION**
1. INSTALL TEMPORARY CONCRETE BARRIERS.
 2. REMOVE REMAINDER OF EXISTING STRUCTURE AND TEMPORARY DRAINAGE SYSTEM NO. 2.
 3. CONSTRUCT STAGE II PORTION OF THE STRUCTURE.
 4. CONSTRUCT ROADWAY PAVEMENT.

LEGEND

REMOVAL OF EXISTING STRUCTURES

DLZ 85 W. Algonquin Rd. Ste. 220
Arlington Heights IL 60005
DLZ Illinois, Inc.

| | |
|----------|-----|
| DESIGNED | ASP |
| CHECKED | WSP |
| DRAWN | BGC |
| CHECKED | ASP |

| REVISIONS | |
|-----------|------|
| NAME | DATE |
| | |
| | |
| | |

CULVERT 'E'
PROPOSED STAGE PLANNING
U.S. ROUTE 30 (LINCOLN HIGHWAY)
F.A.P. 353 (U.S. 30)
SECTION (12 & 13) WRS-3
STATION 271+00.00
WILL COUNTY
STRUCTURE NUMBER 099-C015