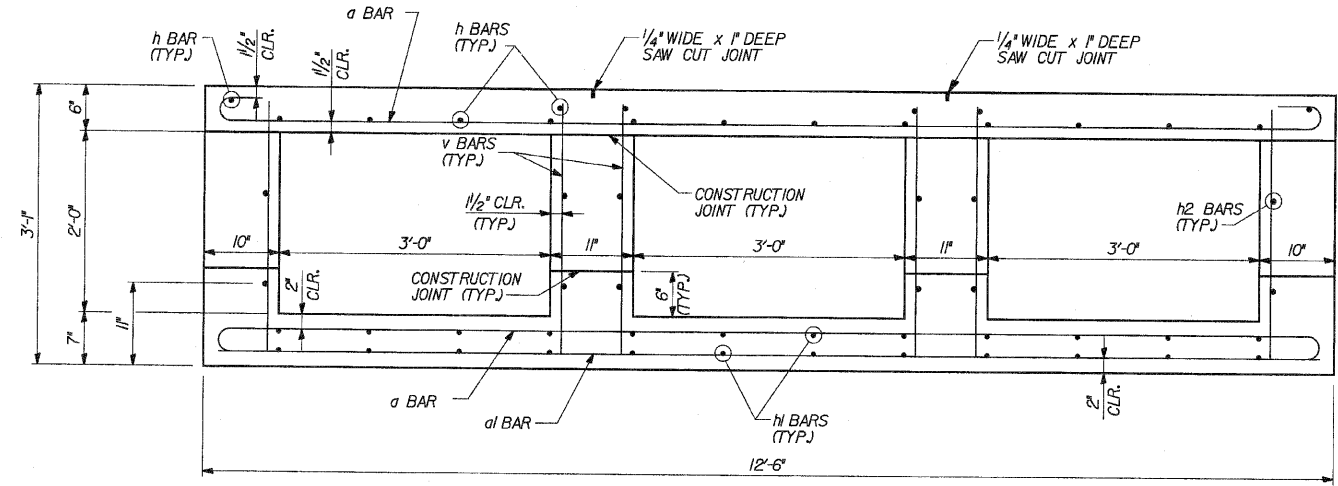
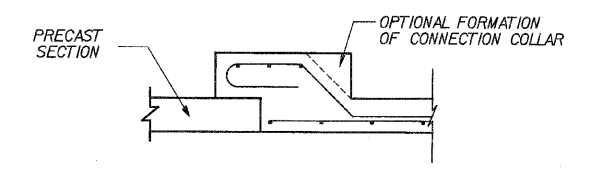


ROUTE NO.	SECTION	COUNTY	TOTAL SHEETS	SHEET NO.
FAP 353	*	WILL.	1235	655
FED. ROAD DIST.		ILLINOIS	FED. AID PROJECT	
* SBC. (12 & 13) WRS-3		* CONTRACT NO. 62419		

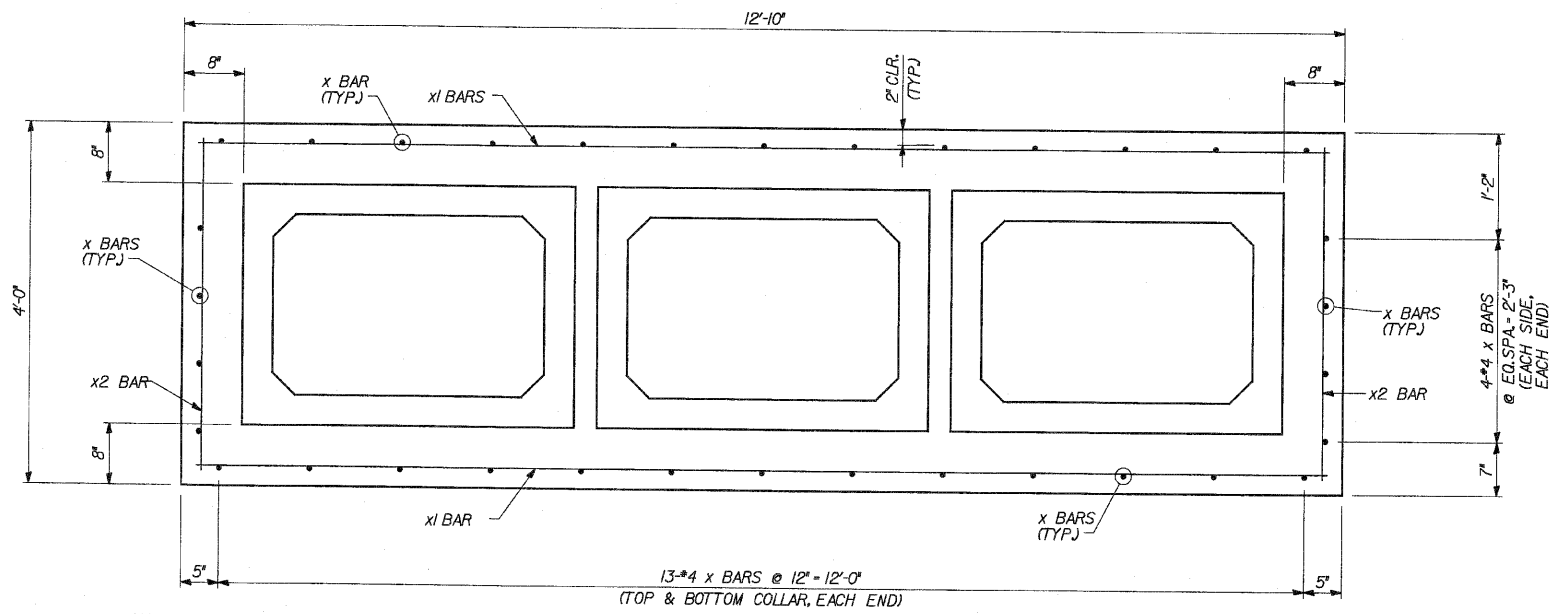


CAST-IN-PLACE TYPICAL SECTION
SECTION A-A & A1-A1



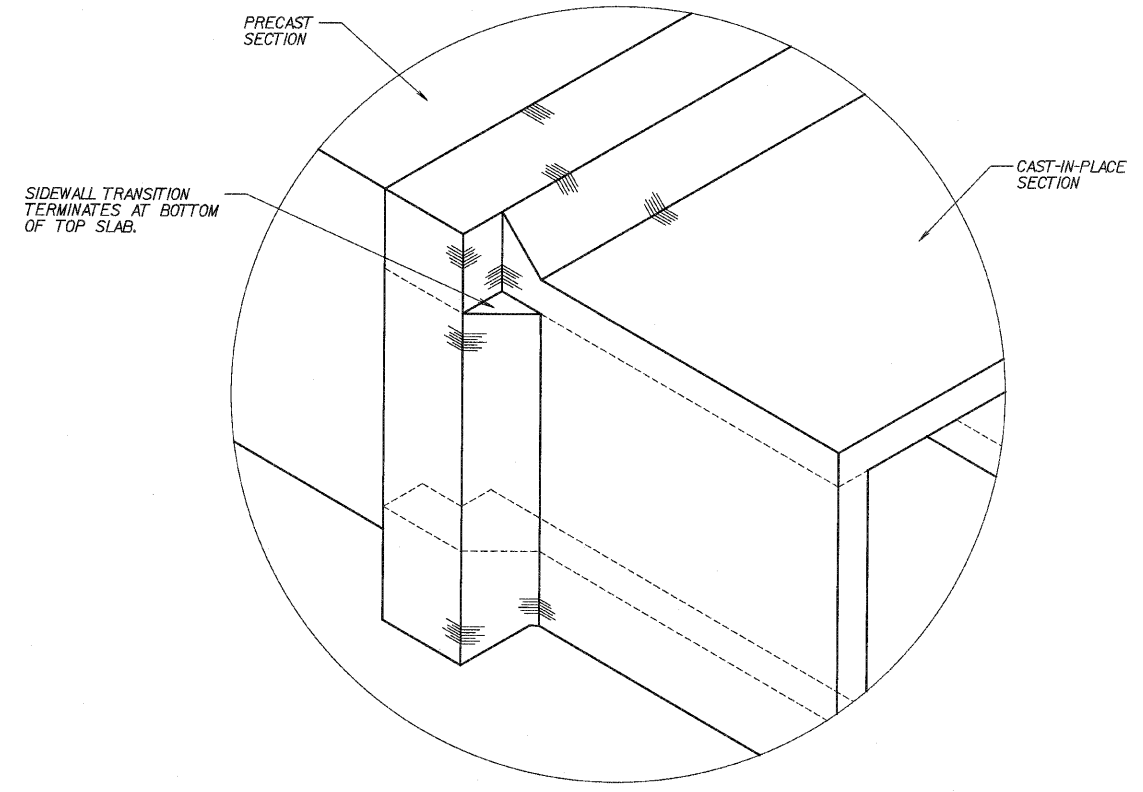
OPTIONAL PRECAST TO CAST-IN-PLACE
CONNECTION COLLAR

NOTE:
ADDITIONAL CONCRETE USED FOR THE
OPTIONAL COLLAR FORMATION WILL BE
PROVIDED AT THE CONTRACTOR'S EXPENSE.

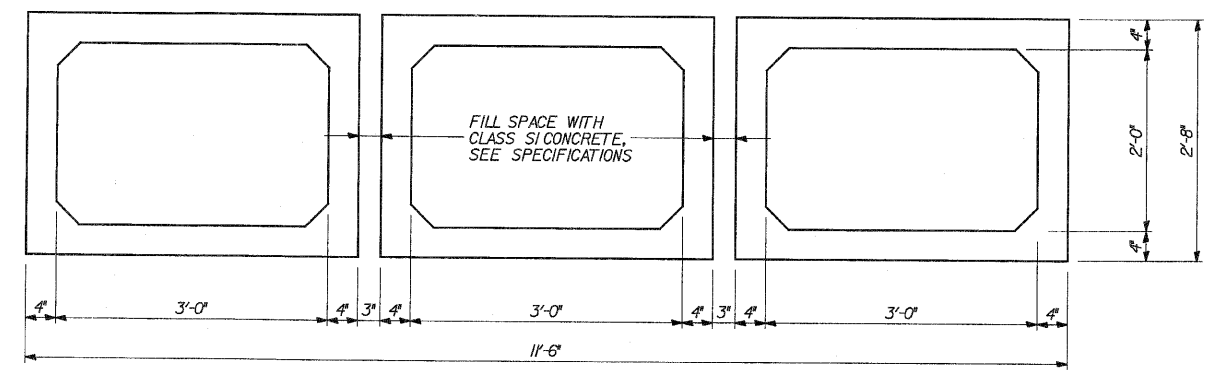


NOTE:
TILT HOOK BARS IN TOP
AND BOTTOM SLAB TO
PROVIDE REQUIRED CLEARANCE.

PRECAST TO CAST-IN-PLACE
CONNECTION COLLAR
SECTION B-B & B1-B1



ISOMETRIC VIEW OF
CONNECTION COLLAR



NOTE:
CLASS S1 CONCRETE TO BE
POURED BETWEEN PRECAST SECTIONS
PRIOR TO FORMING AND POURING
CAST-IN-PLACE END SECTIONS

PRECAST TYPICAL SECTION
SECTION C-C & C1-C1

DESIGNED	CDS
CHECKED	ASP
DRAWN	EvH
CHECKED	ASP

REVISIONS	
NAME	DATE

DLZ 85 W. Algonquin Rd. Ste. 220
Arlington Heights IL 60005
DLZ Illinois, Inc.

CULVERT 'E'
TYPICAL SECTIONS
U.S. ROUTE 30 (LINCOLN HIGHWAY)
F.A.P. 353 (U.S. 30)
SECTION (12 & 13) WRS-3
STATION 271+00.00
WILL COUNTY
STRUCTURE NUMBER 099-C015