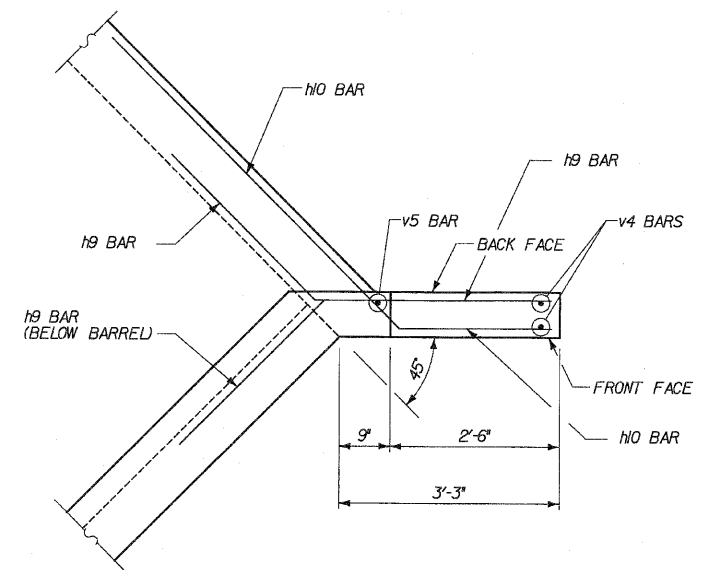
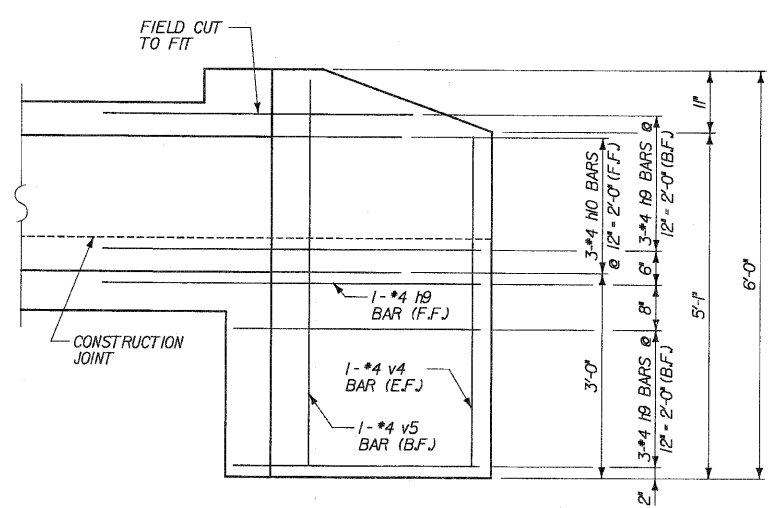


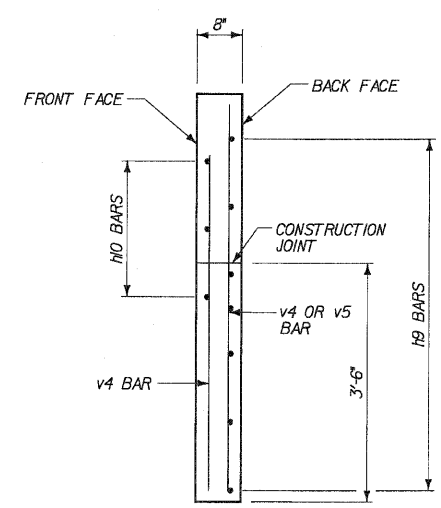
* SECT. (12 & 13) WRS-3
 * CONTRACT NO. 02479



WING C & D PLAN



WING C & D ELEVATION



WING C & D SECTION

LEGEND

B.F. - BACK FACE
 F.F. - FRONT FACE
 E.F. - EACH FACE

DESIGNED	CDS
CHECKED	ASP
DRAWN	EvH
CHECKED	ASP

REVISIONS	
NAME	DATE

DLZ 85 W. Algonquin Rd. Ste. 220
 DLZ Illinois, Inc. Arlington Heights IL 60005

CULVERT 'E'
WINGS C & D
 U.S. ROUTE 30 (LINCOLN HIGHWAY)
 F.A.P. 353 (U.S. 30)
 SECTION (12 & 13) WRS-3
 STATION 271+00.00
 WILL COUNTY
 STRUCTURE NUMBER 099-C015