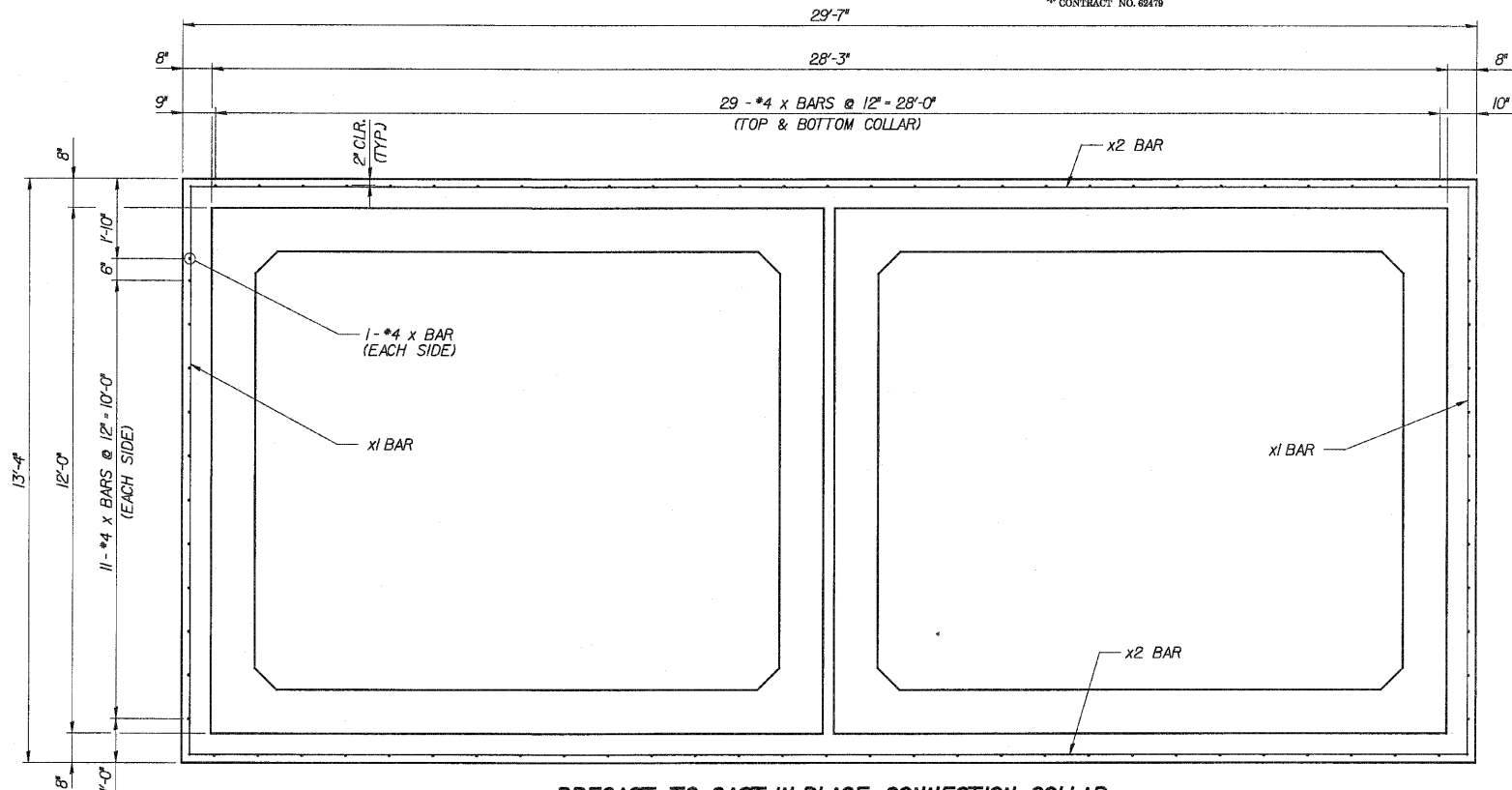
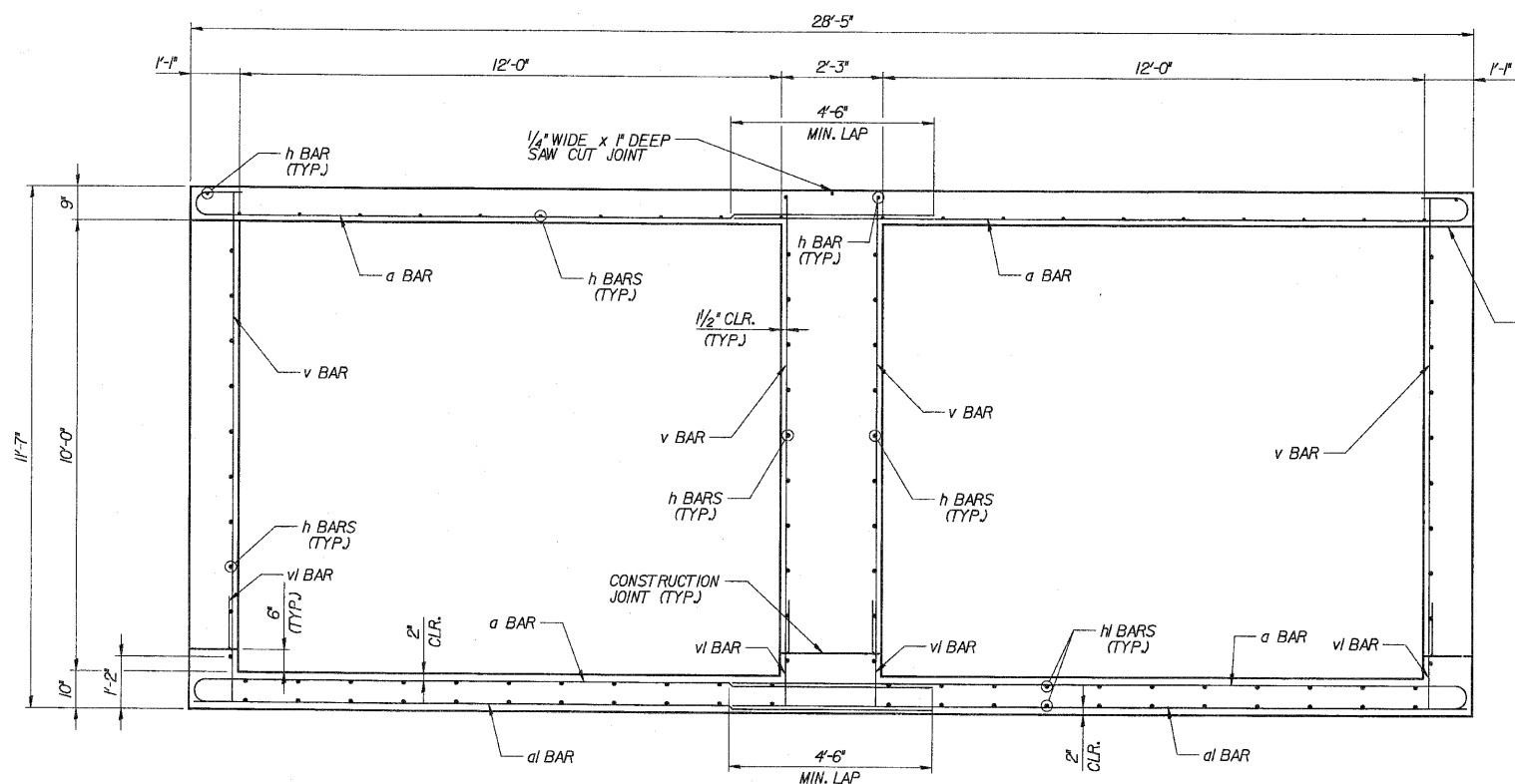


**PRECAST TYPICAL SECTION
SECTION C-C & CI-CI**

NOTE:
CLASS SI CONCRETE TO BE POURED BETWEEN PRECAST SECTIONS PRIOR TO FORMING AND POURING CAST-IN-PLACE END SECTIONS.

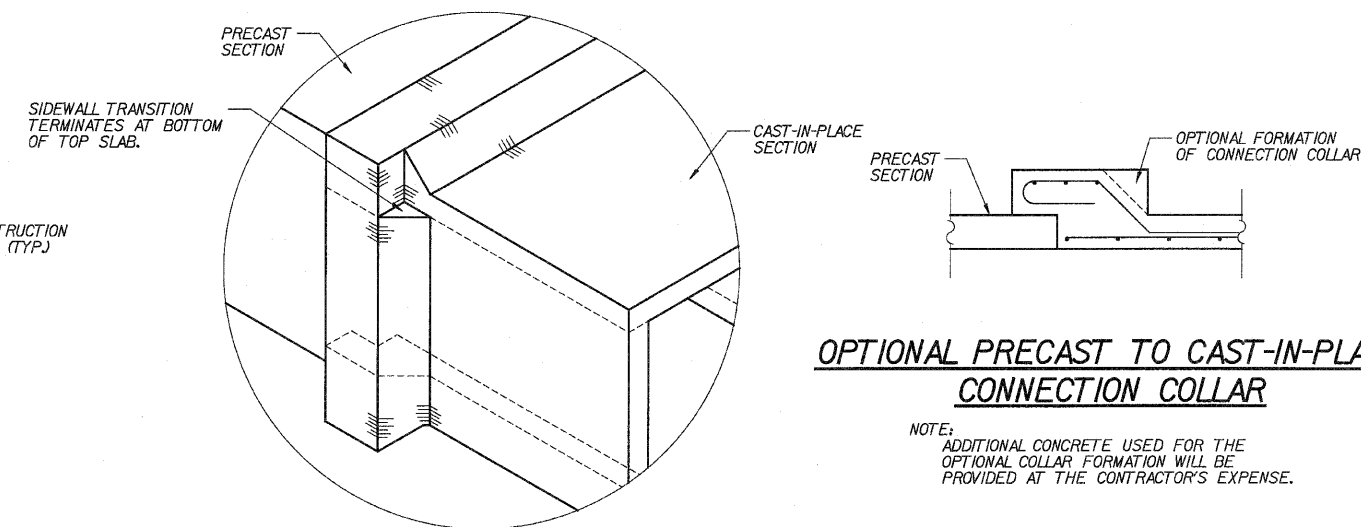


**PRECAST TO CAST-IN-PLACE CONNECTION COLLAR
SECTION B-B & BI-BI**



**CAST-IN-PLACE TYPICAL SECTION
SECTION A-A & AI-AI**

NOTE:
TILT HOOK BARS IN TOP AND BOTTOM SLAB TO PROVIDE REQUIRED CLEARANCE.



**ISOMETRIC VIEW OF
CONNECTION COLLAR**

**OPTIONAL PRECAST TO CAST-IN-PLACE
CONNECTION COLLAR**

NOTE:
ADDITIONAL CONCRETE USED FOR THE OPTIONAL COLLAR FORMATION WILL BE PROVIDED AT THE CONTRACTOR'S EXPENSE.

DESIGNED	ASP
CHECKED	CDS
DRAWN	LNB
CHECKED	ASP

REVISIONS	
NAME	DATE

DLZ 85 W. Algonquin Rd. Ste. 220
Arlington Heights IL 60005
DLZ Illinois, Inc.

**CULVERT 'G'
TYPICAL SECTIONS**
U.S. ROUTE 30 (LINCOLN HIGHWAY)
F.A.P. 353 (U.S. 30)
SECTION (12 & 13) WRS-3
STATION 34+10.00
WILL COUNTY
STRUCTURE NUMBER 099-4662