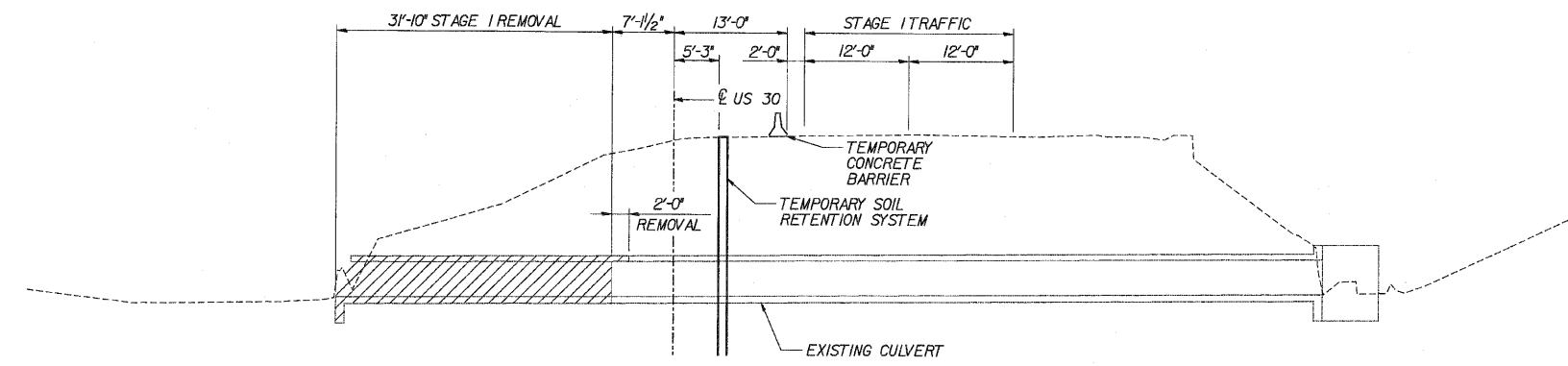


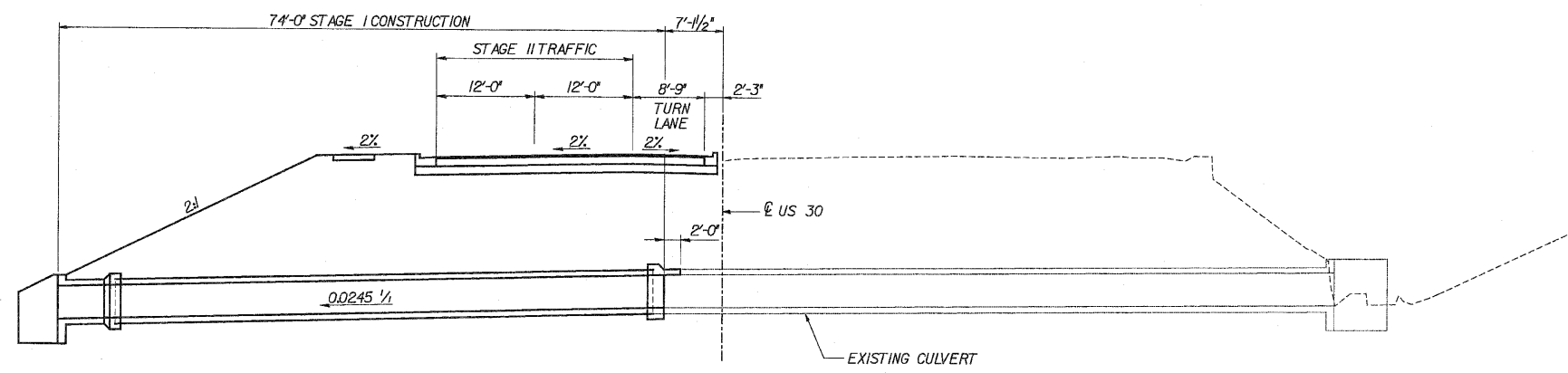
* SECT. 12 & 13) WRS-3
* CONTRACT NO. 62479

PROPOSED STAGING NOTES

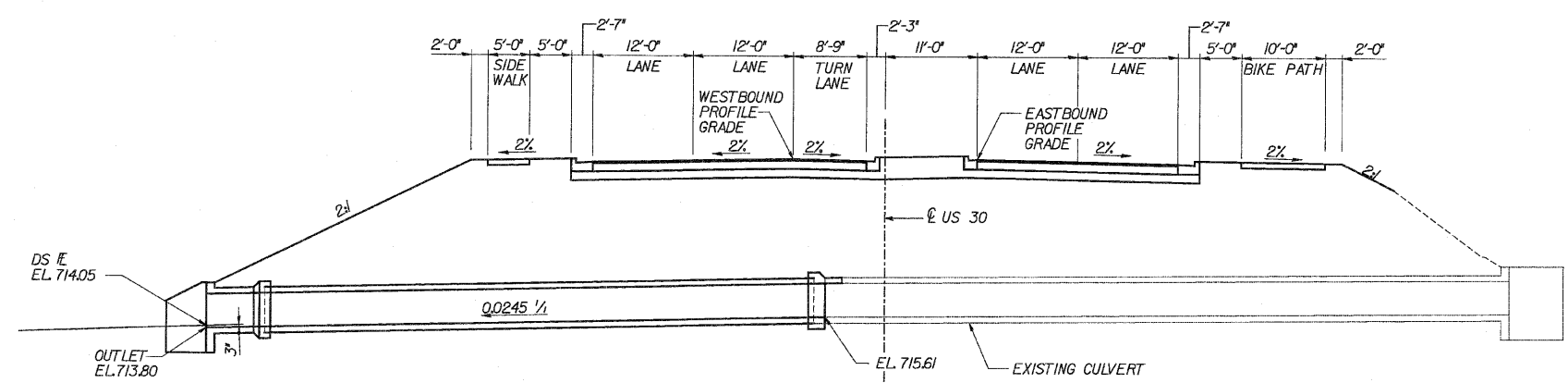
- STAGE I REMOVAL AND CONSTRUCTION**
1. MAINTAIN TWO (2) LANES OF TRAFFIC.
 2. INSTALL TEMPORARY CONCRETE BARRIER.
 3. INSTALL TEMPORARY SOIL RETENTION SYSTEM.
 4. REMOVE 3'-10" FROM NORTH END OF EXISTING STRUCTURE AND AN ADDITIONAL 2'-0" OF THE TOP SLAB.
 5. CONSTRUCT STAGE I PORTION OF THE STRUCTURE.
 6. CONSTRUCT ROADWAY PAVEMENT.
- STAGE II REMOVAL AND CONSTRUCTION**
1. CONSTRUCT ROADWAY PAVEMENT.



STAGE I



STAGE II



FINAL CROSS SECTION

LEGEND

REMOVAL OF EXISTING STRUCTURES

DESIGNED	ASP
CHECKED	CDS
DRAWN	LNB
CHECKED	ASP

REVISIONS	
NAME	DATE

DLZ 85 W. Algonquin Rd. Ste. 220
Arlington Heights IL 60005
DLZ Illinois, Inc.

CULVERT 'H'
PROPOSED STAGE PLANNING
U.S. ROUTE 30 (LINCOLN HIGHWAY)
F.A.P. 353 (U.S. 30)
SECTION (12 & 13) WRS-3
STATION 401+72.78
WILL COUNTY
STRUCTURE NUMBER 099-C018