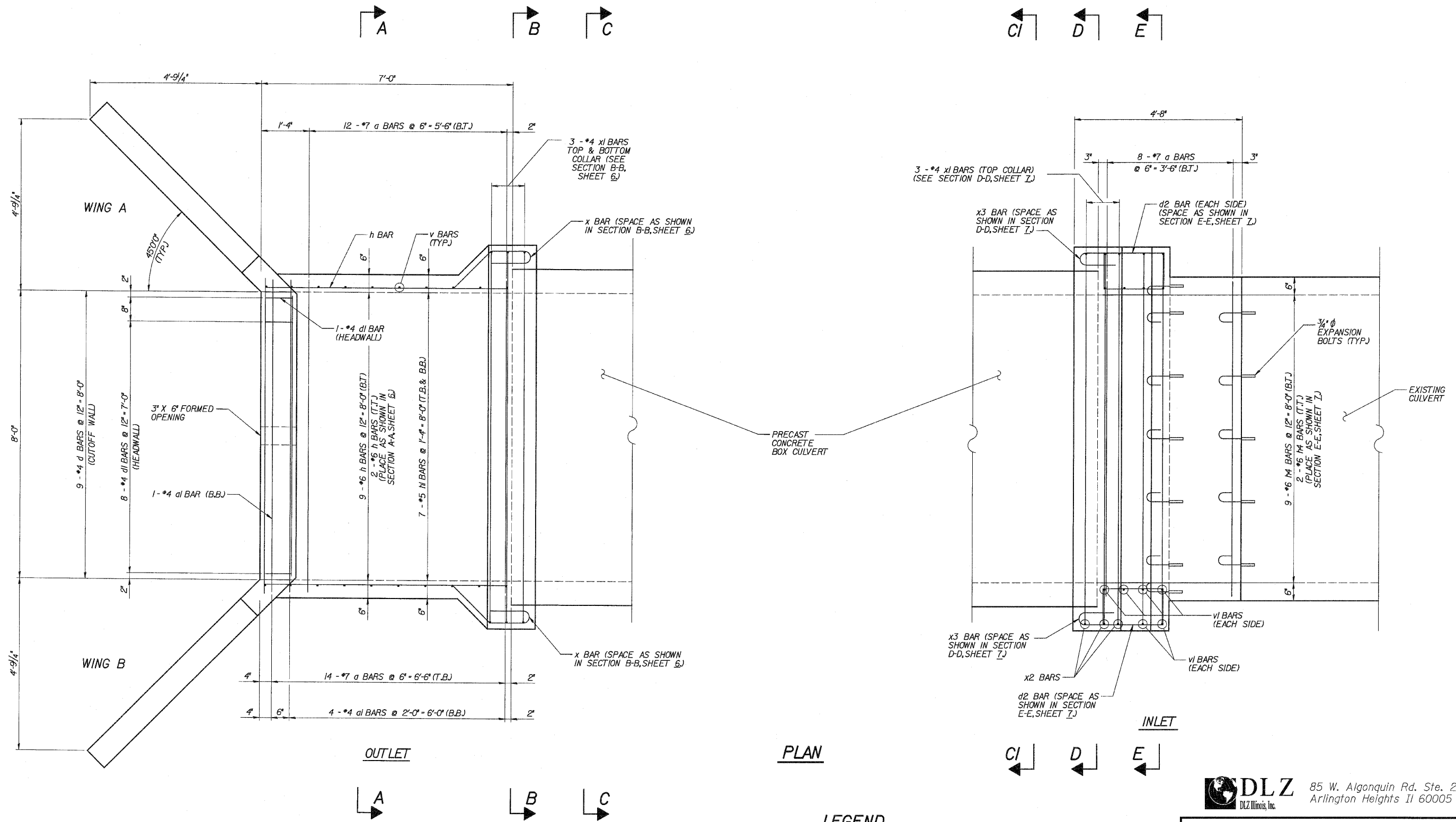
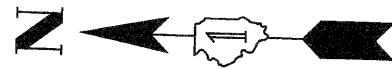


ROUTE NO.	SECTION	COUNTY	TOTAL SHEETS	SHEET NO.
PAP 353	*	WILL	1235	675
FED. ROAD DIST.		ILLINOIS	FED. AID PROJECT	

* SECT. 12 & 13) WRS-3
* CONTRACT NO. 02479



PLAN

LEGEND

T.T. = TOP OF TOP SLAB
B.T. = BOTTOM OF TOP SLAB
T.B. = TOP OF BOTTOM SLAB
B.B. = BOTTOM OF BOTTOM SLAB

DESIGNED	ASP
CHECKED	CDS
DRAWN	LNB
CHECKED	ASP

REVISIONS	
NAME	DATE

DLZ 85 W. Algonquin Rd. Ste. 220
Arlington Heights IL 60005
DLZ Illinois, Inc.

CULVERT 'H'
END SECTION PLAN
U.S. ROUTE 30 (LINCOLN HIGHWAY)
F.A.P. 353 (U.S. 30)
SECTION (12 & 13) WRS-3
STATION 401+72.78
WILL COUNTY
STRUCTURE NUMBER 099-C018