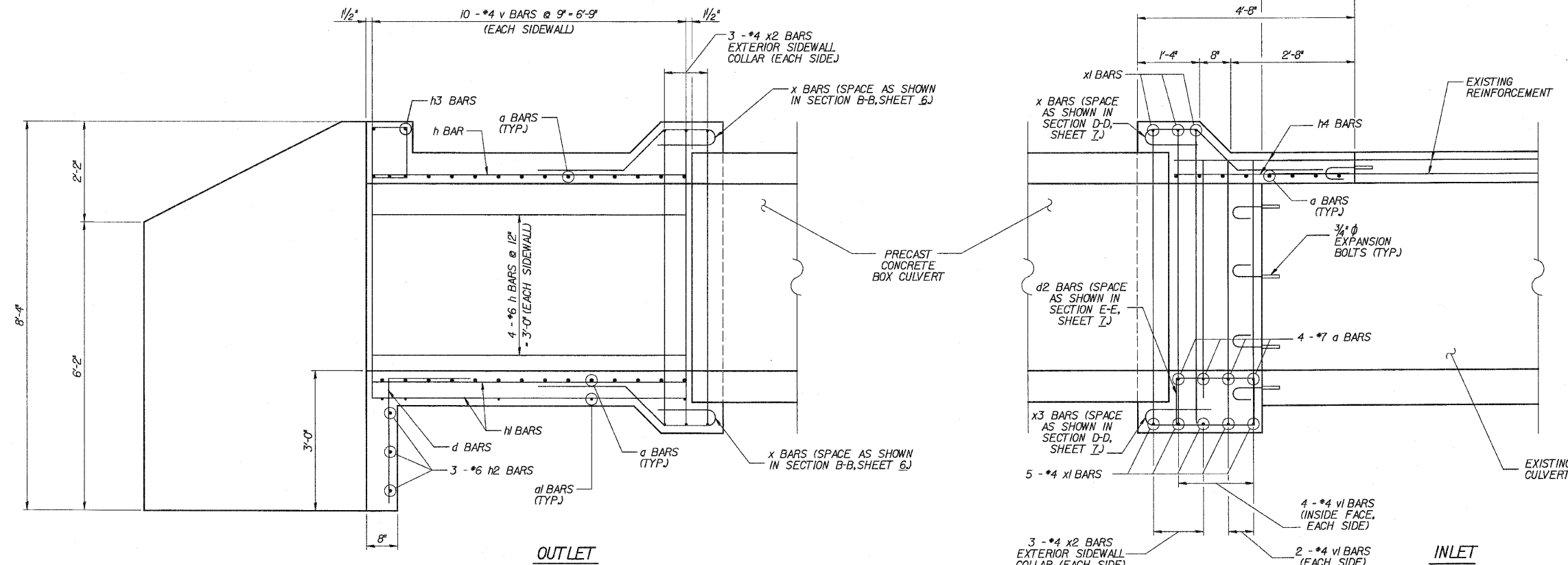
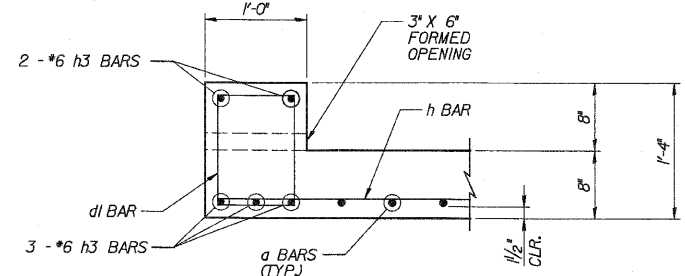


\* SECT. (12 & 13) WRS-3  
\* CONTRACT NO. 02479

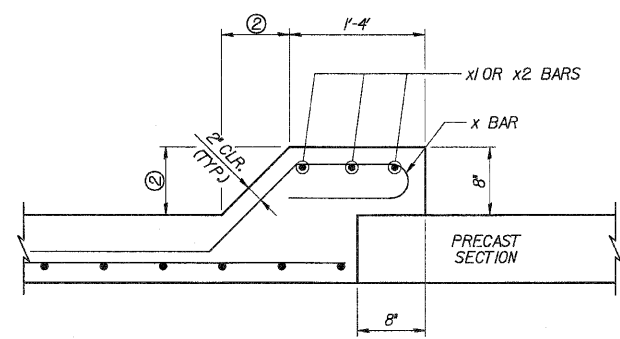


**ELEVATION**

① REMOVE AN ADDITIONAL 2'-0" OF TOP SLAB. EXISTING LONGITUDINAL REINFORCEMENT TO BE CLEANED, STRAIGHTENED, AND PLACED IN NEW SLAB.  
NOTE: EXPANSION BOLTS SHALL BE 3/4" φ HOOKED BOLTS. HOOKED BOLTS SHALL EXTEND A MINIMUM OF 9" INTO NEW CONCRETE. TILT EXPANSION BOLTS IN SLAB TO PROVIDE REQUIRED CLEARANCE.

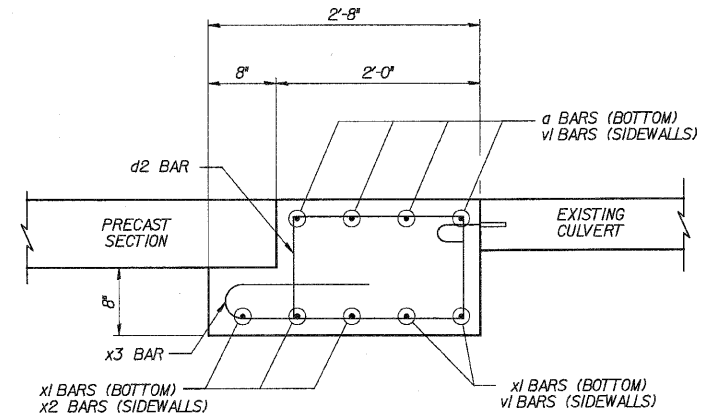


**HEADWALL DETAIL**

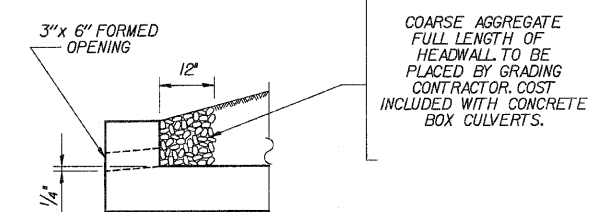


**OUTLET CONNECTION COLLAR AND INLET TOP COLLAR**

② TOP SLAB - 8"  
BOTTOM SLAB - 7"  
SIDEWALLS - 10"



**INLET BOTTOM AND SIDEWALL COLLAR**



**DRAIN DETAIL**

COARSE AGGREGATE FULL LENGTH OF HEADWALL TO BE PLACED BY GRADING CONTRACTOR. COST INCLUDED WITH CONCRETE BOX CULVERTS.

**PRECAST TO CAST-IN-PLACE CONNECTION COLLAR**

DESIGNED	ASP
CHECKED	CDS
DRAWN	LNB
CHECKED	ASP

REVISIONS	
NAME	DATE

**DLZ** 85 W. Algonquin Rd. Ste. 220  
Arlington Heights IL 60005  
DLZ Illinois, Inc.

**CULVERT 'H'**  
**END SECTION ELEVATION**  
U.S. ROUTE 30 (LINCOLN HIGHWAY)  
F.A.P. 353 (U.S. 30)  
SECTION (12 & 13) WRS-3  
STATION 40+72.78  
WILL COUNTY  
STRUCTURE NUMBER 099-C018