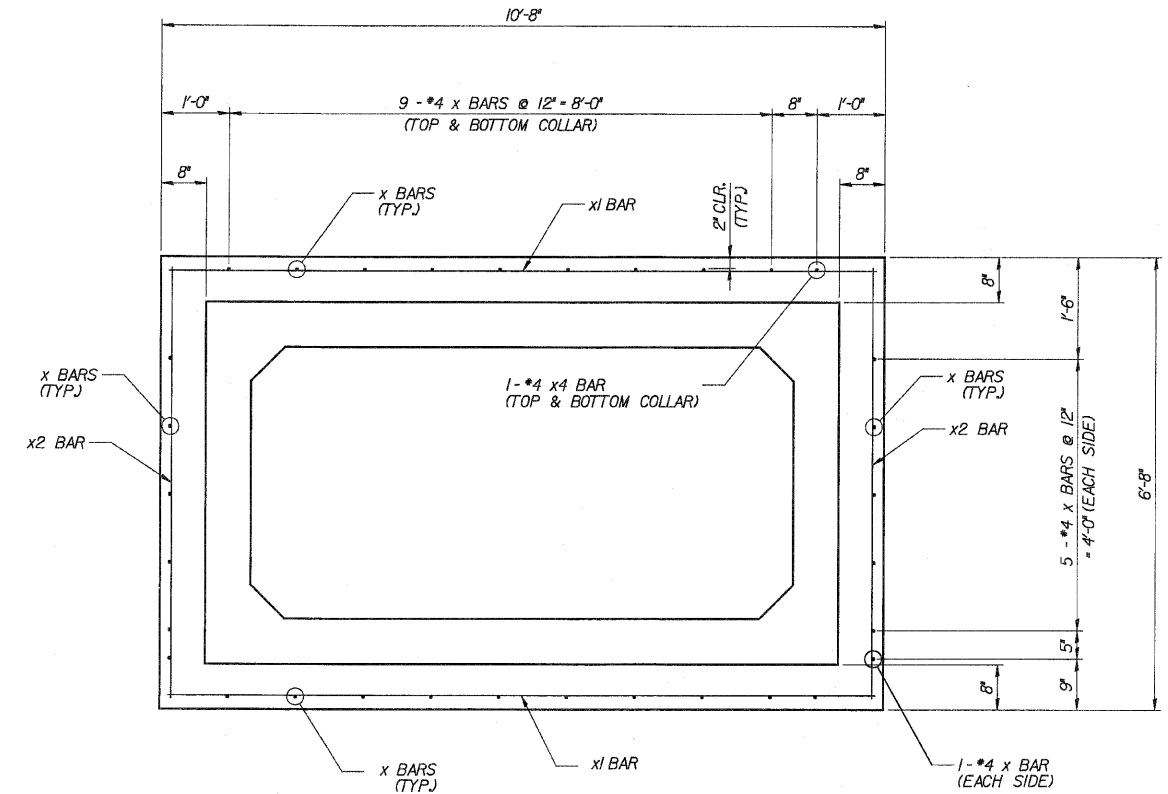
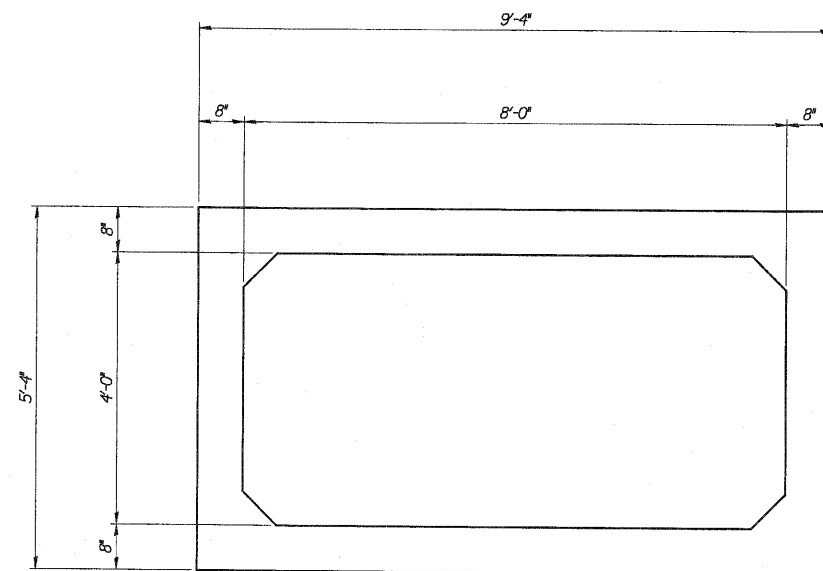


CAST-IN-PLACE SECTION
SECTION A-A

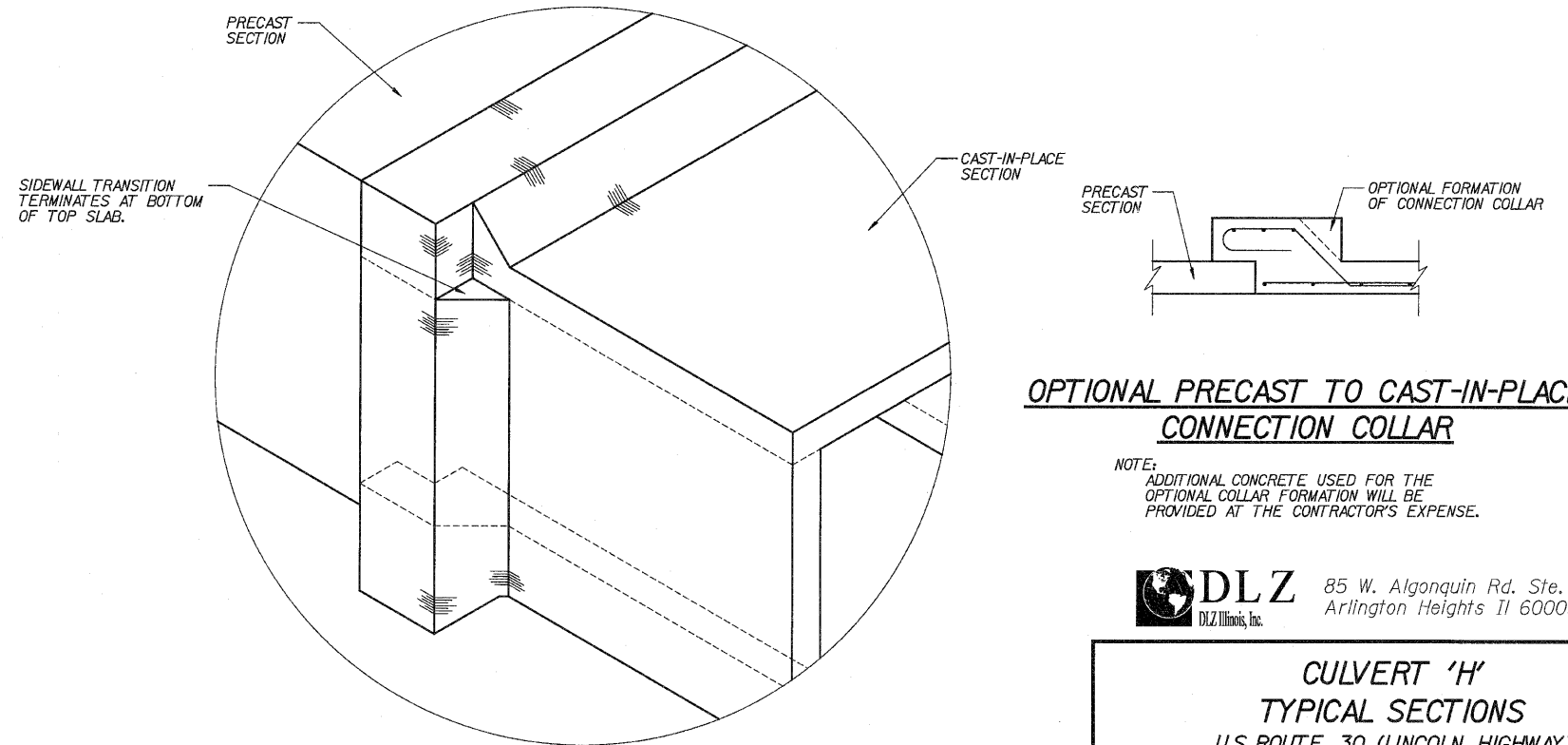
NOTE: TILT HOOK BARS IN TOP AND BOTTOM SLAB TO PROVIDE REQUIRED CLEARANCE.



PRECAST TO CAST-IN-PLACE CONNECTION COLLAR
SECTION B-B



PRECAST TYPICAL SECTION
SECTION C-C & CI-CI



ISOMETRIC VIEW OF CONNECTION COLLAR @ OUTLET END

DESIGNED	ASP
CHECKED	CDS
DRAWN	LNB
CHECKED	ASP

REVISIONS	
NAME	DATE

CULVERT 'H'
TYPICAL SECTIONS
U.S. ROUTE 30 (LINCOLN HIGHWAY)
F.A.P. 353 (U.S. 30)
SECTION (12 & 13) WRS-3
STATION 401+72.78
WILL COUNTY
STRUCTURE NUMBER 099-C018

DLZ 85 W. Algonquin Rd. Ste. 220
Arlington Heights IL 60005
DLZ Illinois, Inc.