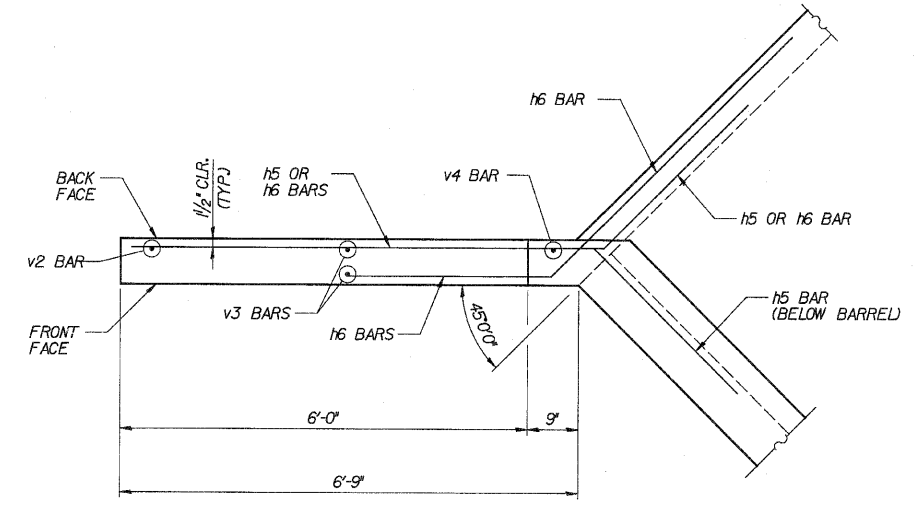
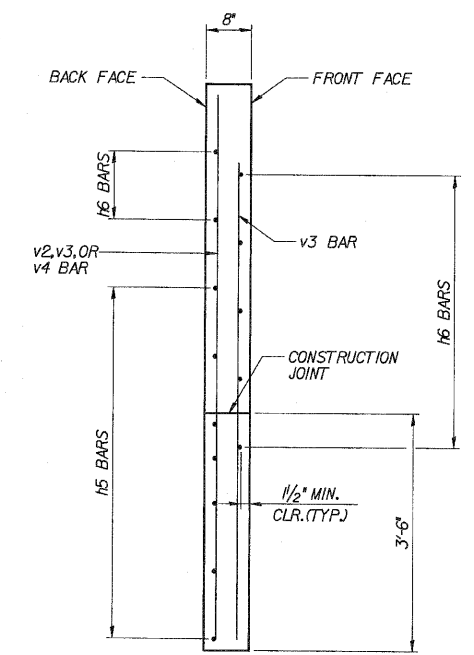


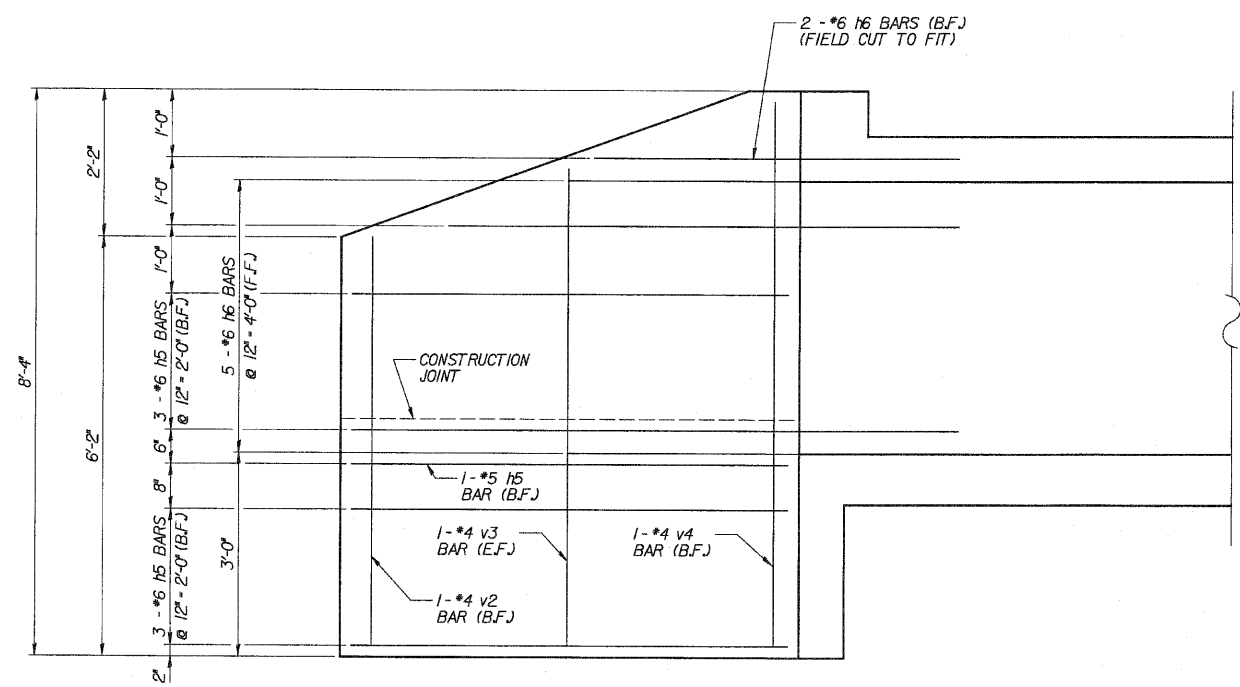
\* SECT. 12 & 13 WRS-3  
\* CONTRACT NO. 62479



**WINGS A & B PLAN**



**WINGS A & B TYPICAL SECTION**



**WINGS A & B ELEVATION**

DESIGNED	ASP
CHECKED	CDS
DRAWN	LNB
CHECKED	ASP

REVISIONS	
NAME	DATE

**DLZ** 85 W. Algonquin Rd. Ste. 220  
Arlington Heights IL 60005  
DLZ Illinois, Inc.

**CULVERT 'H'**  
**WINGS A & B**  
U.S. ROUTE 30 (LINCOLN HIGHWAY)  
F.A.P. 353 (U.S. 30)  
SECTION (12 & 13) WRS-3  
STATION 40+72.78  
WILL COUNTY  
STRUCTURE NUMBER 099-C018