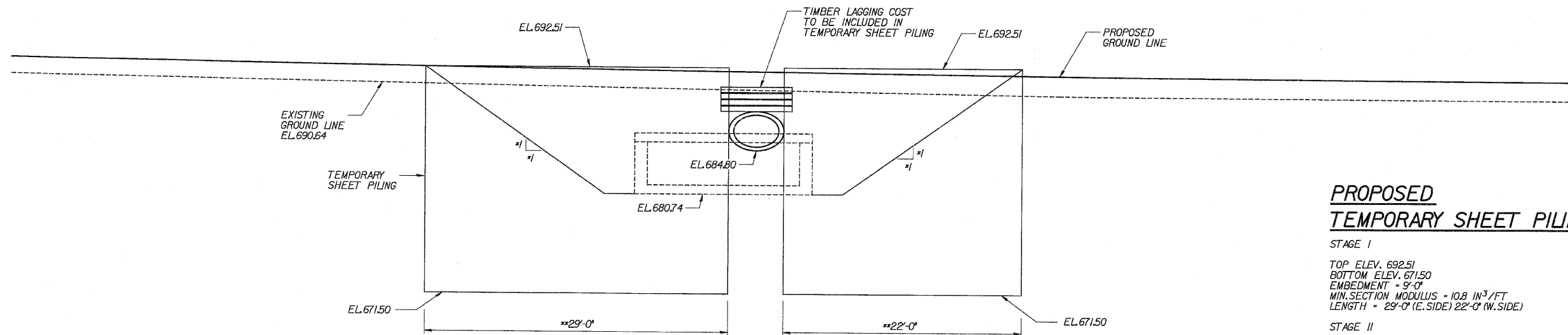


ROUTE NO.	SECTION	COUNTY	TOTAL SHEETS	SHEET NO.
FAP 353	*	WILL	1235	687
FED. ROAD DIST. #	ILLINOIS	FED. AID PROJECT		

* SECT. 12 & 13 WRS-3
* CONTRACT NO. 09479



**PROPOSED
TEMPORARY SHEET PILING DATA**

STAGE I

TOP ELEV. 692.51
BOTTOM ELEV. 671.50
EMBEDMENT - 9'-0"
MIN. SECTION MODULUS - 10.8 IN³/FT
LENGTH - 29'-0" (E. SIDE) 22'-0" (W. SIDE)

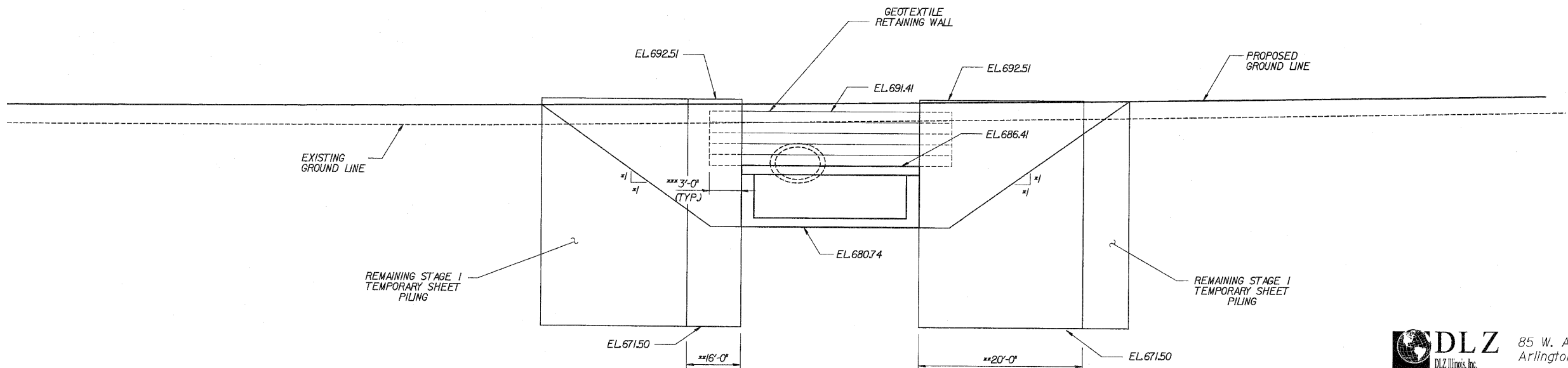
STAGE II

TOP ELEV. 692.51
BOTTOM ELEV. 671.50
EMBEDMENT - 9'-0"
MIN. SECTION MODULUS - 10.8 IN³/FT
LENGTH - 20'-0" (E. SIDE) 16'-0" (W. SIDE)

IF CONTRACTOR CHOOSES TO ALTER THE TEMPORARY CANTILEVERED SHEET PILING DESIGN REQUIREMENTS SHOWN ON THE PLANS FOR LESSER DESIGN REQUIREMENTS, THEN FULL DESIGN SUBMITTALS WITH THE REQUIRED SEALS WILL BE EXPECTED BY THE DEPARTMENT, FOR REVIEW AND APPROVAL.

STAGE I TEMPORARY SHEET PILING

(LOOKING SOUTH)
* DENOTES PERPENDICULAR TO ϕ OF CULVERT
** MEASURED ALONG ϕ OF PILING



STAGE II TEMPORARY SHEET PILING

(LOOKING NORTH)
* DENOTES PERPENDICULAR TO ϕ OF CULVERT
** MEASURED ALONG ϕ OF PILING
*** MEASURED PARALLEL TO ϕ OF US 30

DESIGNED	ASP
CHECKED	LNB
DRAWN	BEM
CHECKED	ASP

REVISIONS	
NAME	DATE

DLZ 85 W. Algonquin Rd. Ste. 220
Arlington Heights IL 60005
DLZ Illinois, Inc.

CULVERT 'J'
TEMPORARY SHEET PILING
U.S. ROUTE 30 (LINCOLN HIGHWAY)
F.A.P. 353 (U.S. 30)
SECTION (12 & 13) WRS-3
STATION 182+31.00
WILL COUNTY
STRUCTURE NUMBER 099-C013