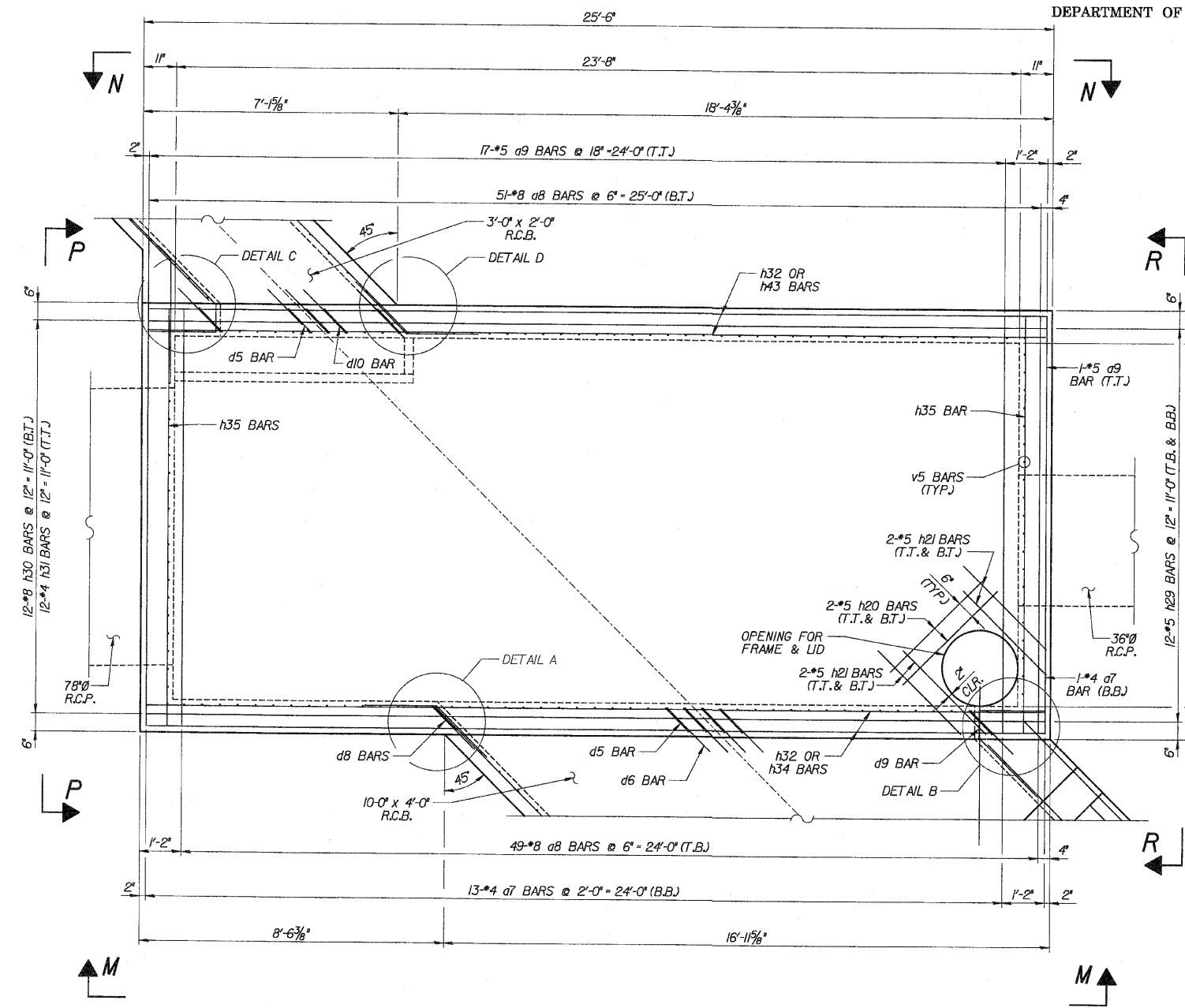
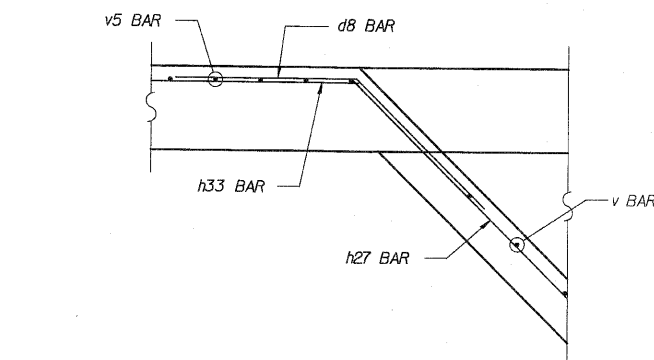


ROUTE NO.	SECTION	COUNTY	TOTAL SHEETS	SHEET NO.
FAP 353	*	WILL	1235	690
FED. ROAD DIST. #	ILLINOIS	FED. AID PROJECT		
* SECT. (12 & 13) WRS-3				
* CONTRACT NO. 62479				

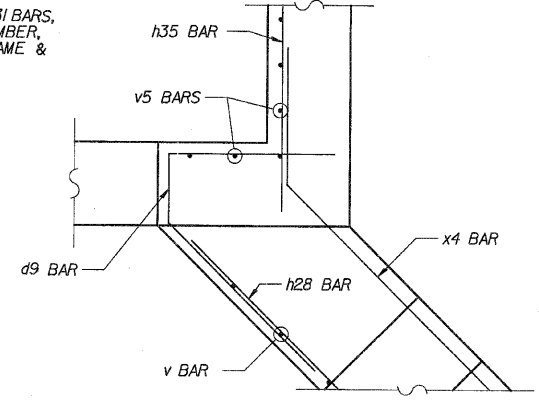


PLAN

NOTE:  
FIELD CUT a8, a9, h30 & h31 BARS,  
IN TOP OF JUNCTION CHAMBER,  
AROUND OPENING FOR FRAME &  
LID WHERE NECESSARY.



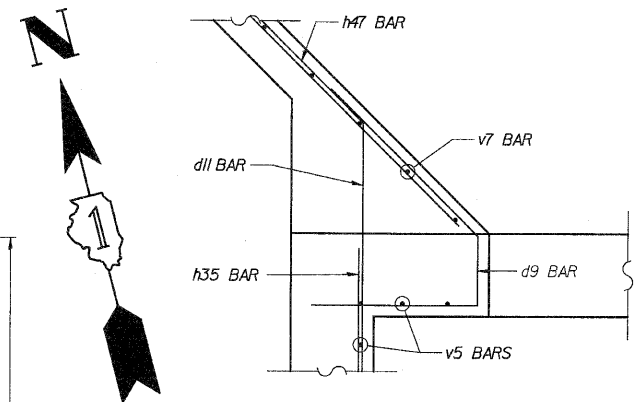
DETAIL A



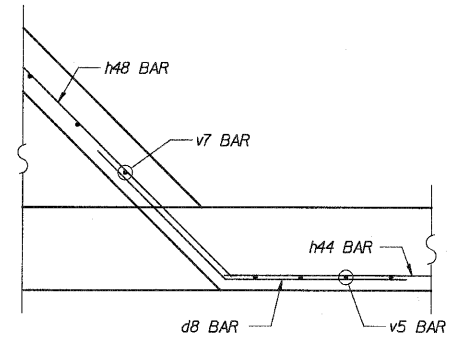
DETAIL B

DESIGNED	ASP
CHECKED	CDS
DRAWN	BEM
CHECKED	ASP

TYPICAL SECTION REFERENCE	
SECTION	SHEET NO.
M - M	8
N - N	9
P - P	9
R - R	9

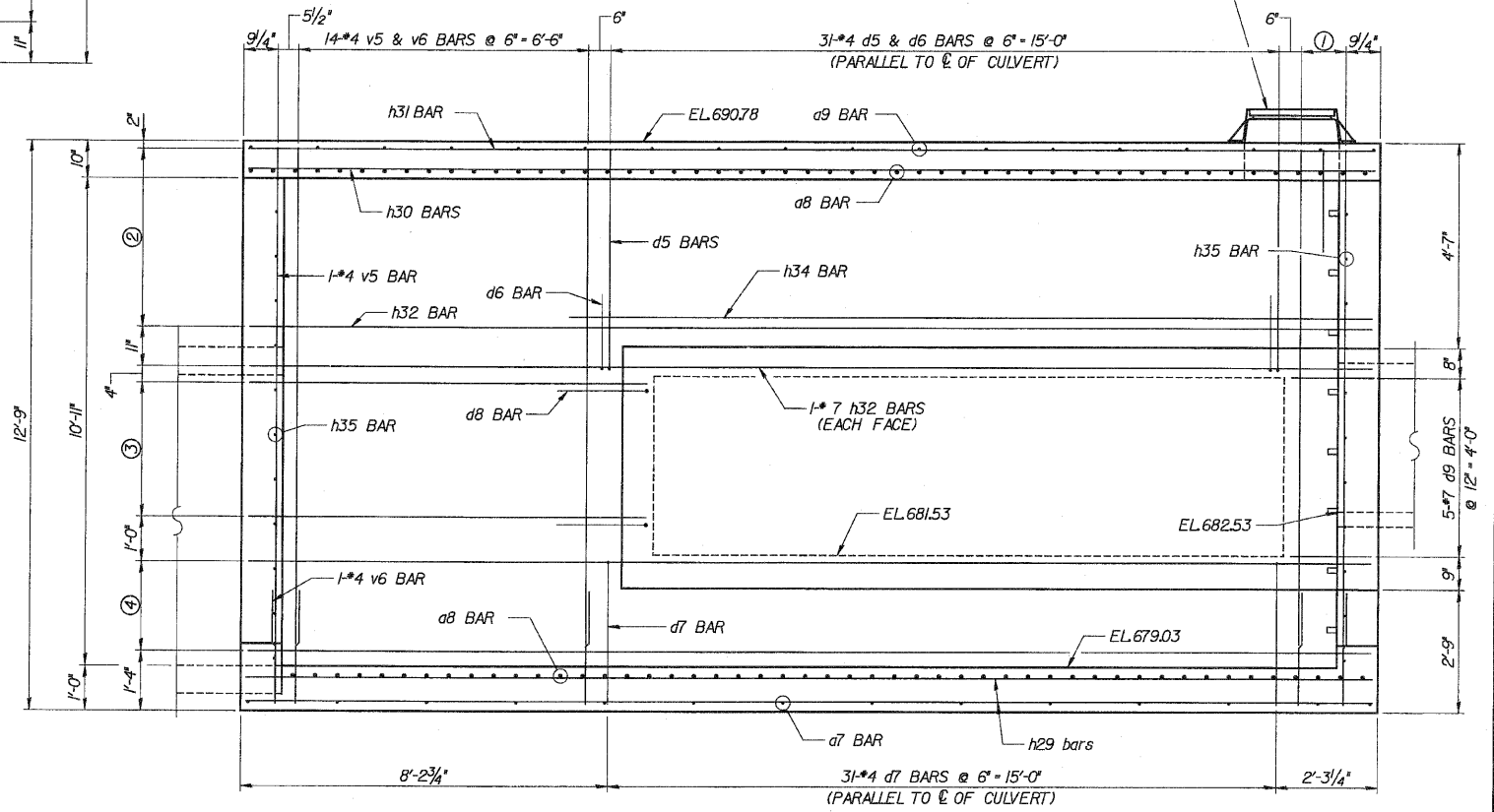


DETAIL C



DETAIL D

- 3-#4 v5 & v6 BARS @ 6'-1'-6"
- 5-#7 h32 BARS @ 12'-4'-0" (INSIDE FACE)  
5-#4 h34 BARS @ 12'-4'-0" (OUTSIDE FACE)
- 4-#7 h33 & d8 BARS @ 12'-3'-0"
- 3-#7 h32 BARS @ 12'-2'-0"



VIEW M-M

LEGEND

T.T.- TOP OF TOP SLAB  
B.T.- BOTTOM OF TOP SLAB  
T.B.- TOP OF BOTTOM SLAB  
B.B.- BOTTOM OF BOTTOM SLAB

REVISIONS	
NAME	DATE

**DLZ**  
DLZ Illinois, Inc.  
85 W. Algonquin Rd. Ste. 220  
Arlington Heights IL 60005

**CULVERT 'J'**  
**JUNCTION CHAMBER I PLAN & DETAILS**  
U.S. ROUTE 30 (LINCOLN HIGHWAY)  
F.A.P. 353 (U.S. 30)  
SECTION (12 & 13) WRS-3  
STATION 182+31.00  
WILL COUNTY  
STRUCTURE NUMBER 099-CO13