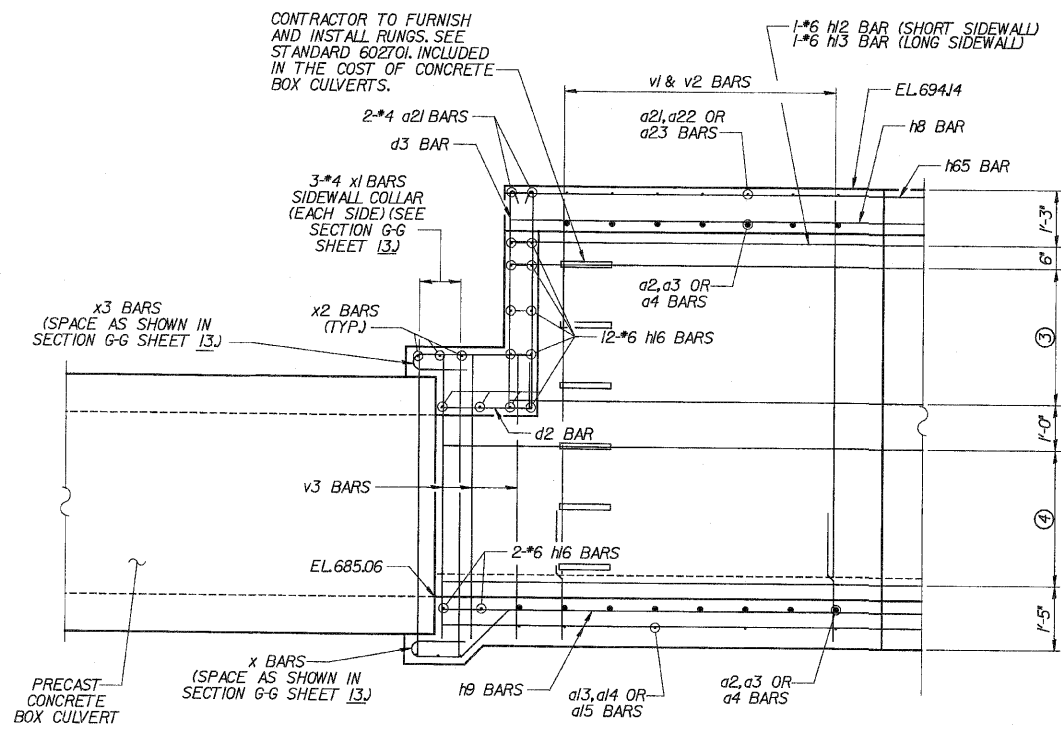
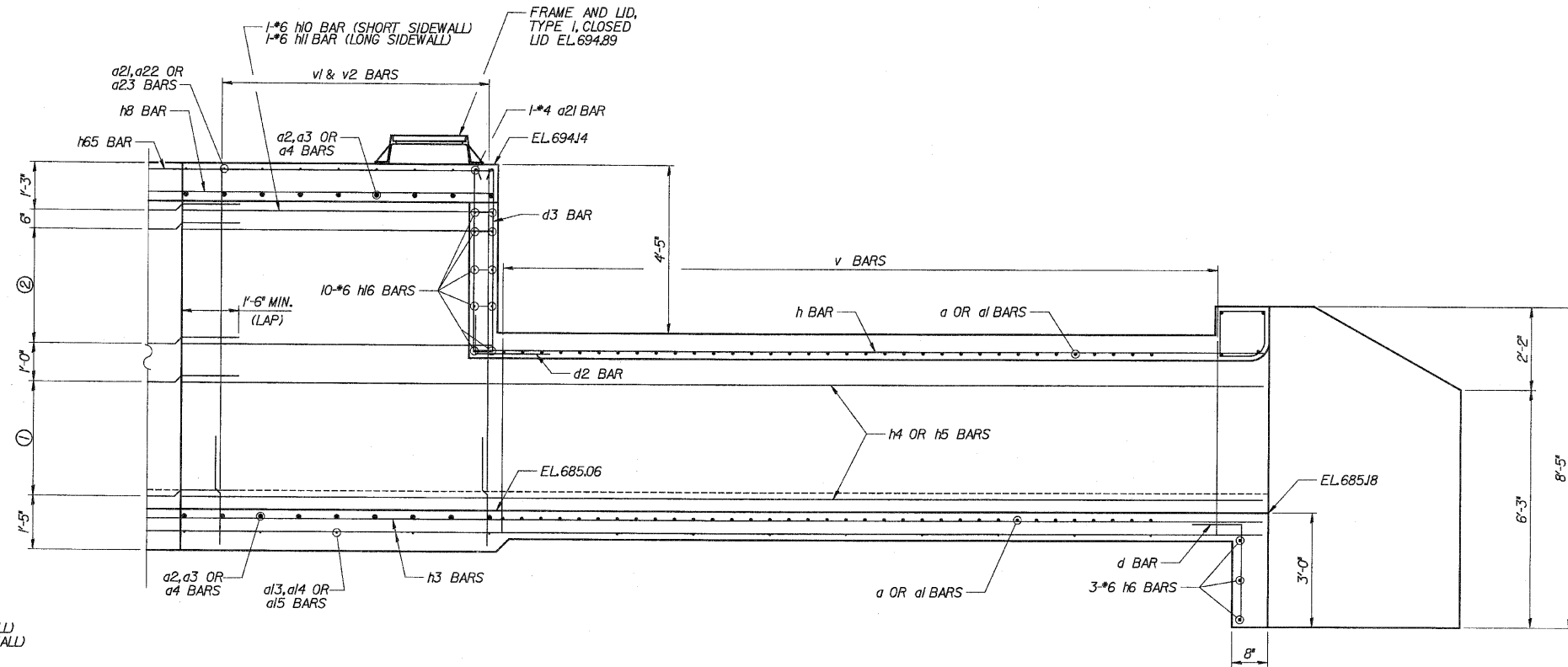


ROUTE NO.	SECTION	COUNTY	TOTAL SHEETS	SHEET NO.
FAP 353	*	WILL	1235	694
FED. ROAD DIST. #		ILLINOIS	FED. AID PROJECT	

* SNOT. 08 & 18 WRS-3
* CONTRACT NO. 62479



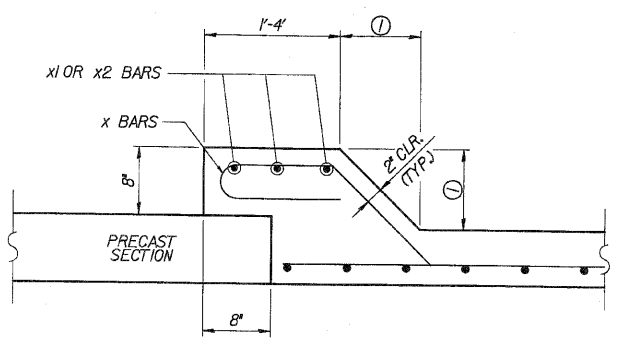
VIEW D-D



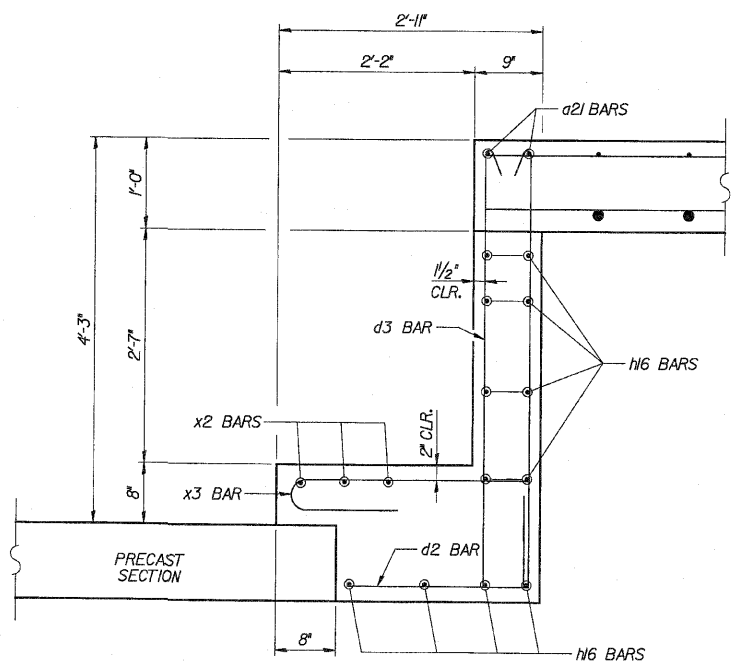
VIEW C-C

- ① 4 - #6 n5 BARS @ 12" - 3'-0" (LONG SIDEWALL)
4 - #6 n4 BARS @ 12" - 3'-0" (SHORT SIDEWALL)
- ② 4 - #6 n11 BARS @ 12" - 3'-0" (LONG SIDEWALL)
4 - #6 n10 BARS @ 12" - 3'-0" (SHORT SIDEWALL)
- ③ 4 - #6 n3 BARS @ 12" - 3'-0" (LONG SIDEWALL)
4 - #6 n2 BARS @ 12" - 3'-0" (SHORT SIDEWALL)
- ④ 4 - #6 n5 BARS @ 12" - 3'-0" (LONG SIDEWALL)
4 - #6 n4 BARS @ 12" - 3'-0" (SHORT SIDEWALL)

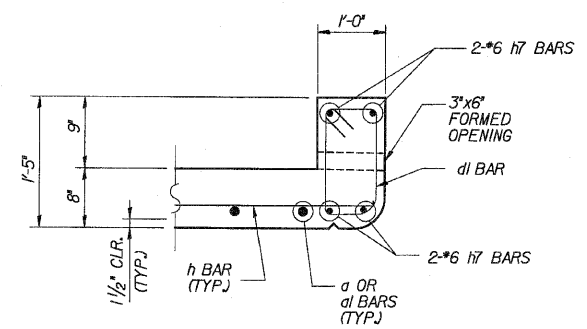
ELEVATION



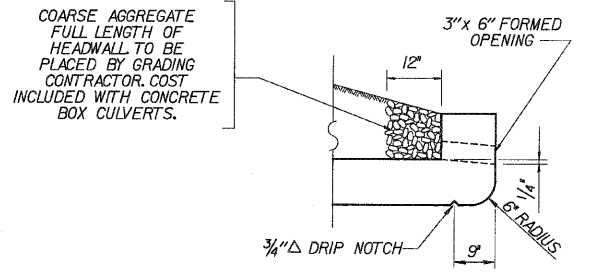
① BOTTOM SLAB - 5"
SIDEWALLS - 9"



**PRECAST TO CAST-IN-PLACE
CONNECTION COLLAR**



**INLET END
HEADWALL DETAILS**



**INLET END
DRAIN DETAIL**

DESIGNED	ASP
CHECKED	CDS
DRAWN	BEM
CHECKED	ASP

REVISIONS	
NAME	DATE

DLZ 85 W. Algonquin Rd. Ste. 220
Arlington Heights IL 60005

**CULVERT 'J'
INLET/JUNCTION CHAMBER 3 ELEVATION**
U.S. ROUTE 30 (LINCOLN HIGHWAY)
F.A.P. 353 (U.S. 30)
SECTION (12 & 13) WRS-3
STATION 182+31.00
WILL COUNTY
STRUCTURE NUMBER 099-C013