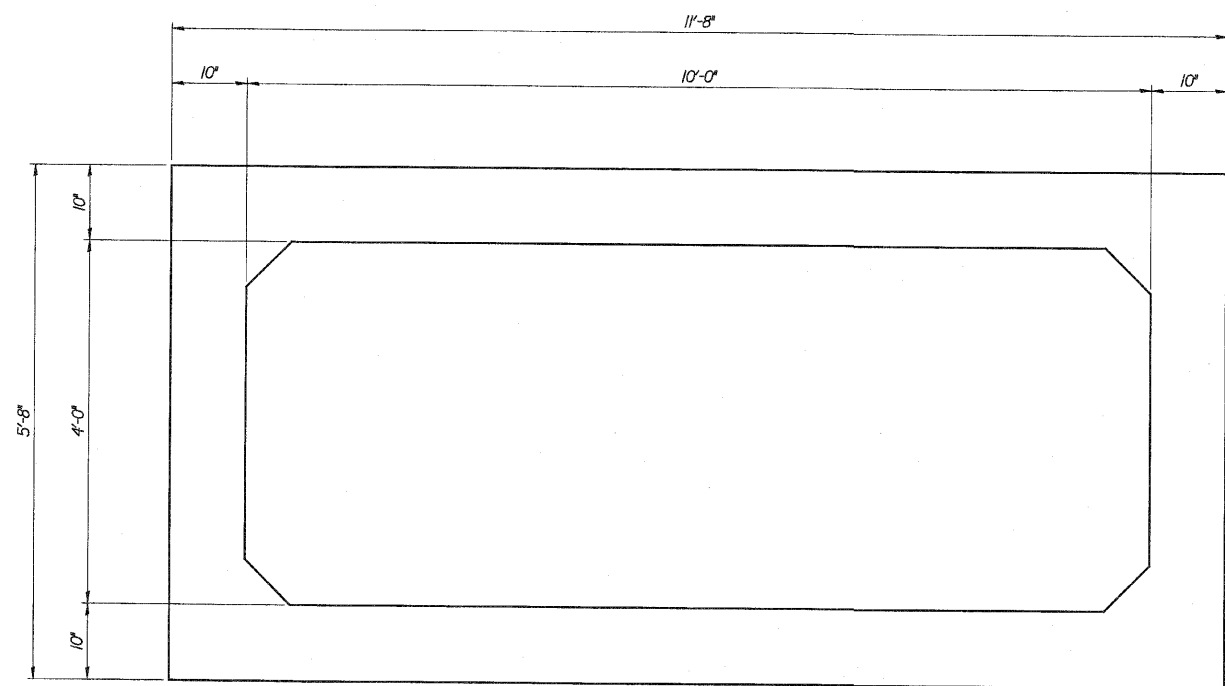
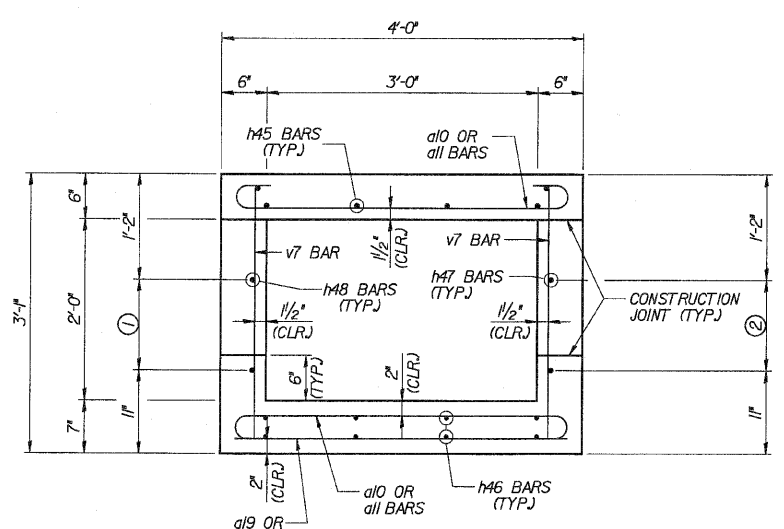


ROUTE NO.	SECTION	COUNTY	TOTAL SHEETS	SHEET NO.
FAP 353	*	WILL	1235	695
FED. ROAD DIST. #		ILLINOIS	FED. AID PROJECT	

* SECT. 12 & 13 WRS-3
* CONTRACT NO. 62479

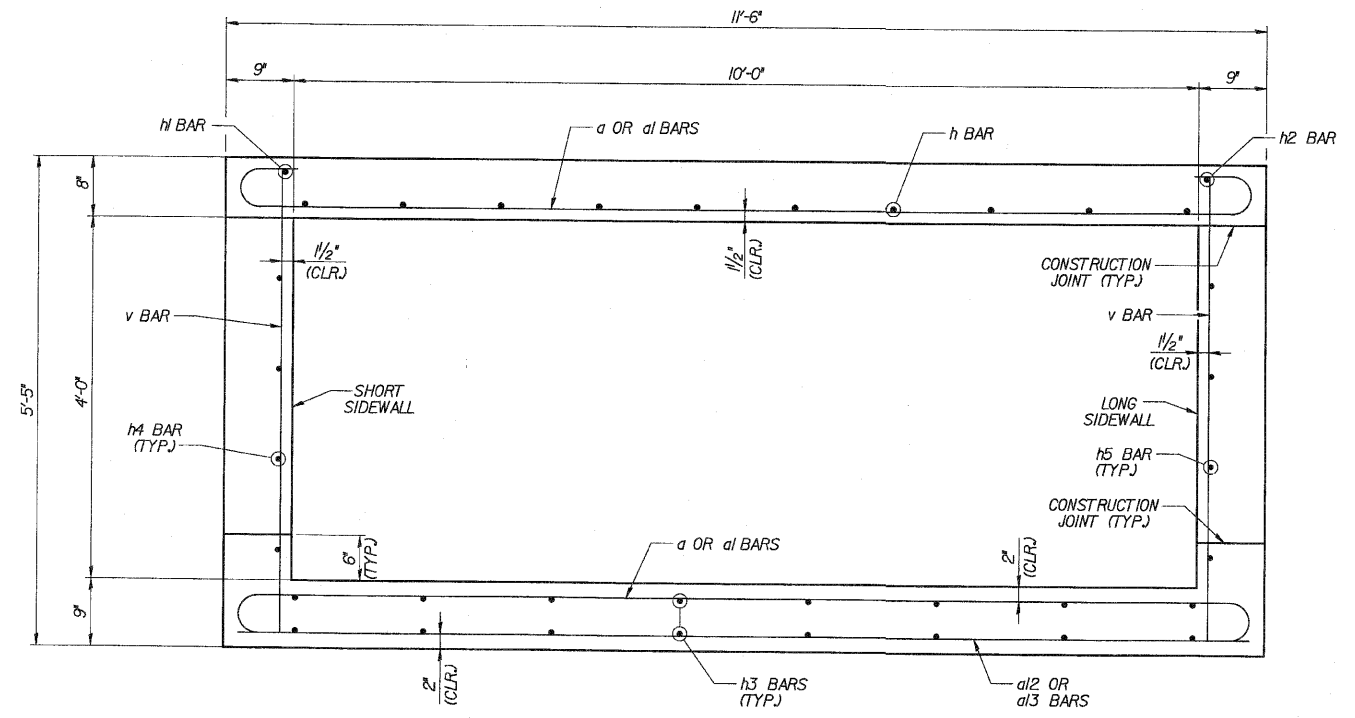


PRECAST TYPICAL SECTION



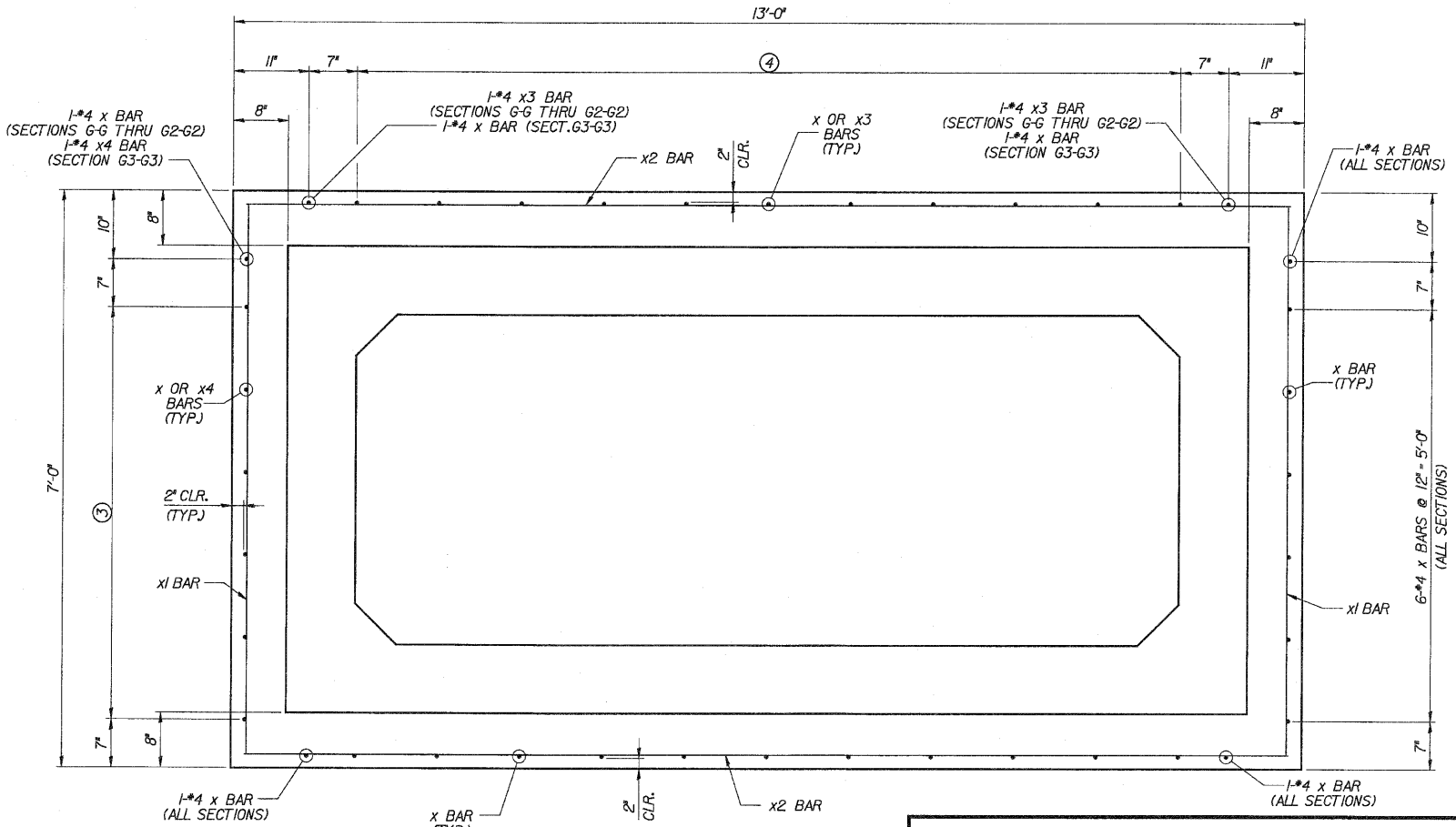
- ① 2-#5 #8 BARS @ 12" - 1'-0"
- ② 2-#5 #7 BARS @ 12" - 1'-0"

SECTION S-S



SECTION E-E

NOTE:
TILT HOOK BARS IN TOP AND
BOTTOM SLAB TO PROVIDE
REQUIRED CLEARANCE.



SECTIONS G-G THRU G3-G3

- ③ 6-#4 x BARS @ 12" - 5'-0"
(SECTIONS G-G THRU G2-G2)
- 6-#4 x4 BARS @ 12" - 5'-0"
(SECTION G3-G3)
- ④ 11-#4 x BARS @ 12" - 10'-0"
(BOTTOM COLLAR, ALL SECTIONS)
(TOP COLLAR, SECTION G3-G3)
- 11-#4 x3 BARS @ 12" - 10'-0"
(TOP COLLAR, SECTIONS G-G THRU G2-G2)

DESIGNED	ASP
CHECKED	CDS
DRAWN	BEM
CHECKED	ASP

DLZ DLZ Illinois, Inc.
85 W. Algonquin Rd. Ste. 220
Arlington Heights IL 60005

REVISIONS	
NAME	DATE

CULVERT 'J'
TYPICAL SECTIONS
U.S. ROUTE 30 (LINCOLN HIGHWAY)
F.A.P. 353 (U.S. 30)
SECTION (12 & 13) WRS-3
STATION 182+31.00
WILL COUNTY
STRUCTURE NUMBER 099-CO13