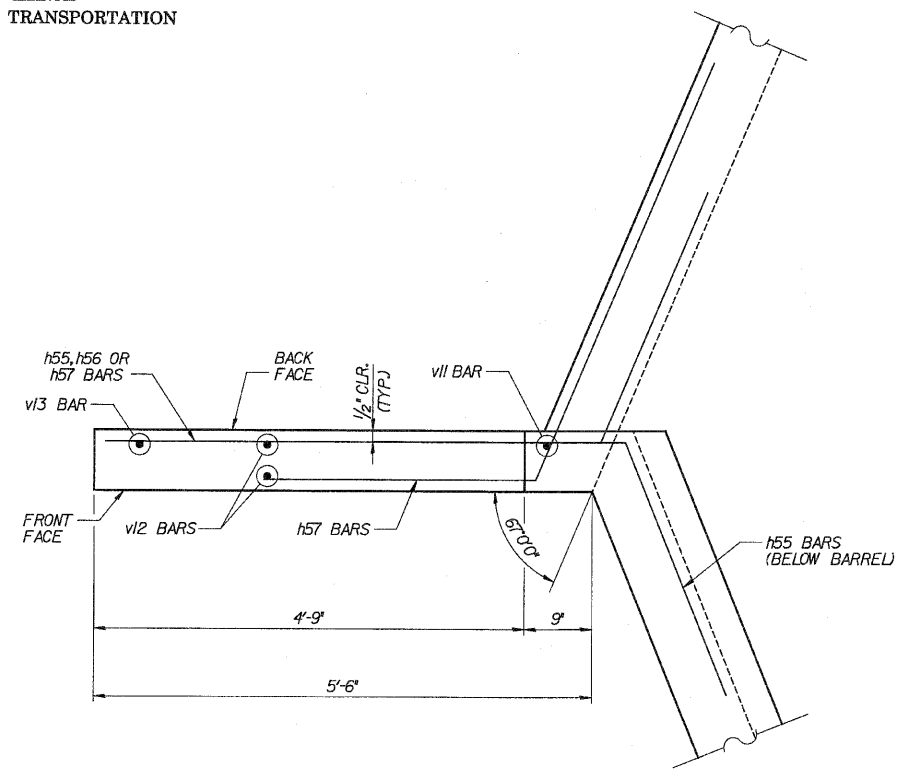
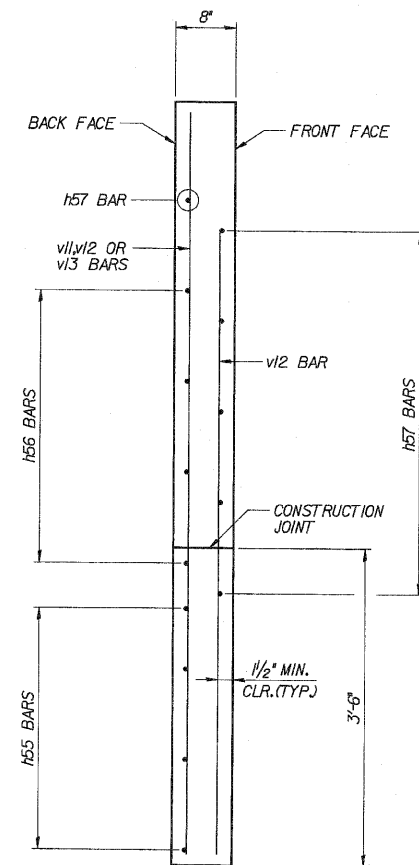


ROUTE NO.	SECTION	COUNTY	TOTAL SHEETS	SHEET NO.
FAP 353	*	WILL	1235	699
FED. ROAD DIST. #		ILLINOIS	FED. AID PROJECT	

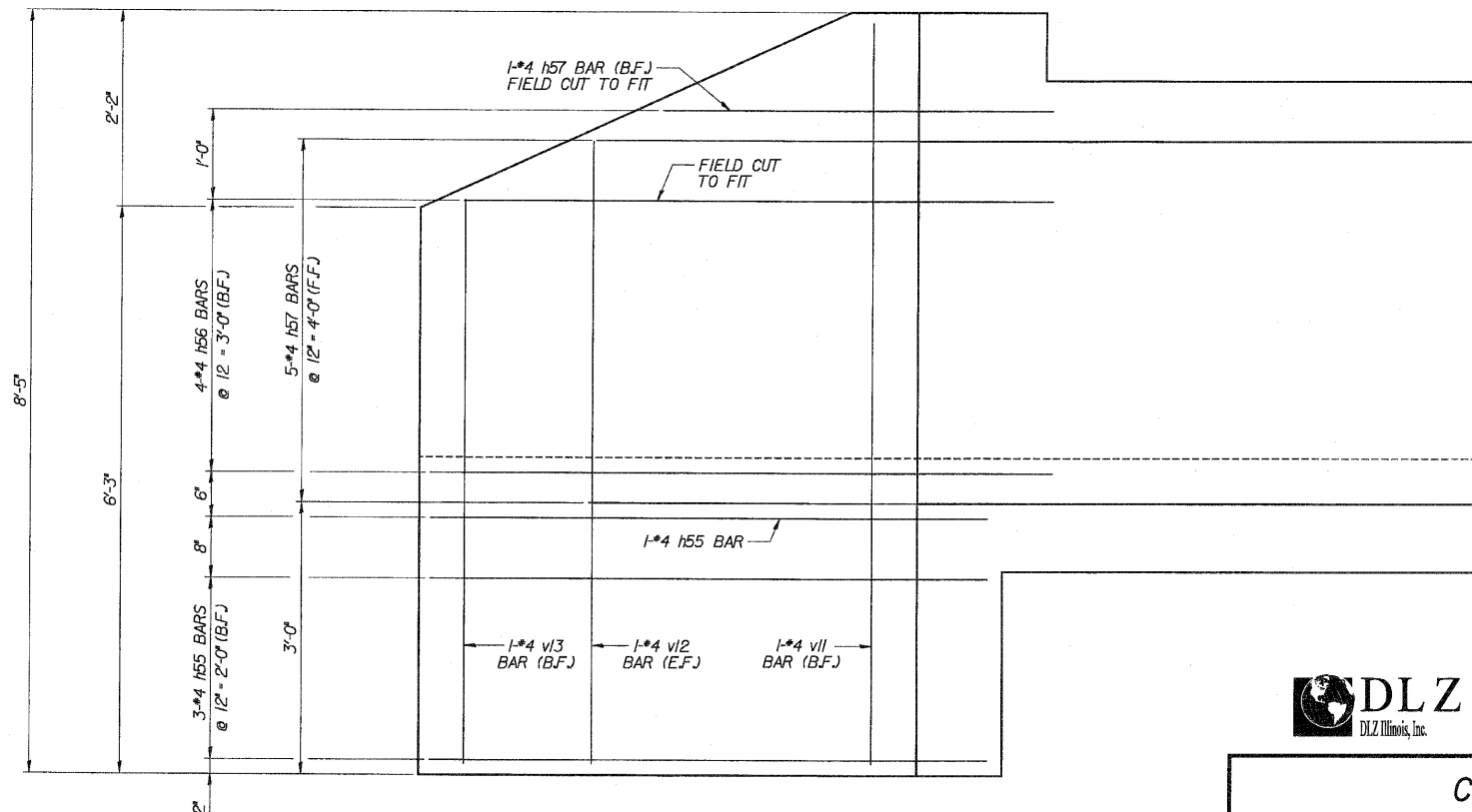
* SECT. (12 & 13) WRS-3
* CONTRACT NO. 68479



WING C PLAN



WING C TYPICAL SECTION



WING C ELEVATION

LEGEND

B.F. - BACK FACE
F.F. - FRONT FACE
E.F. - EACH FACE

DESIGNED	ASP
CHECKED	CDS
DRAWN	BEM
CHECKED	ASP

REVISIONS	
NAME	DATE



85 W. Algonquin Rd. Ste. 220
Arlington Heights IL 60005

**CULVERT 'J'
WING C**

U.S. ROUTE 30 (LINCOLN HIGHWAY)
F.A.P. 353 (U.S. 30)
SECTION (12 & 13) WRS-3
STATION 182+31.00
WILL COUNTY
STRUCTURE NUMBER 099-C013