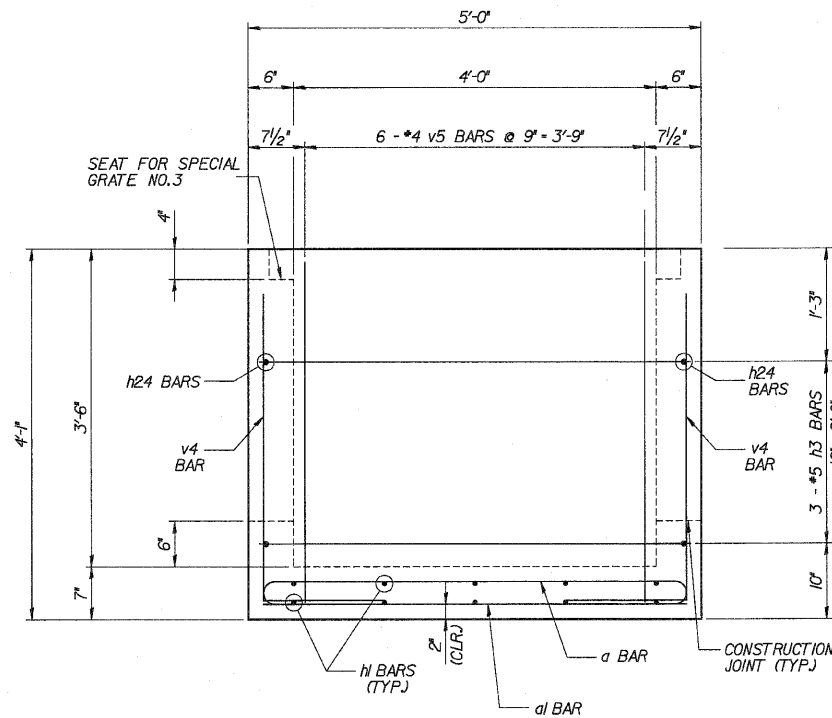
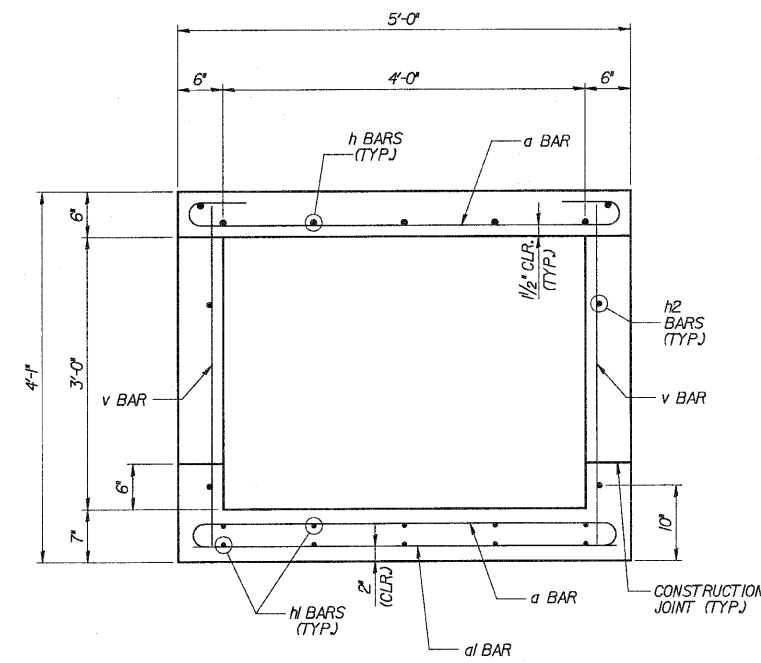


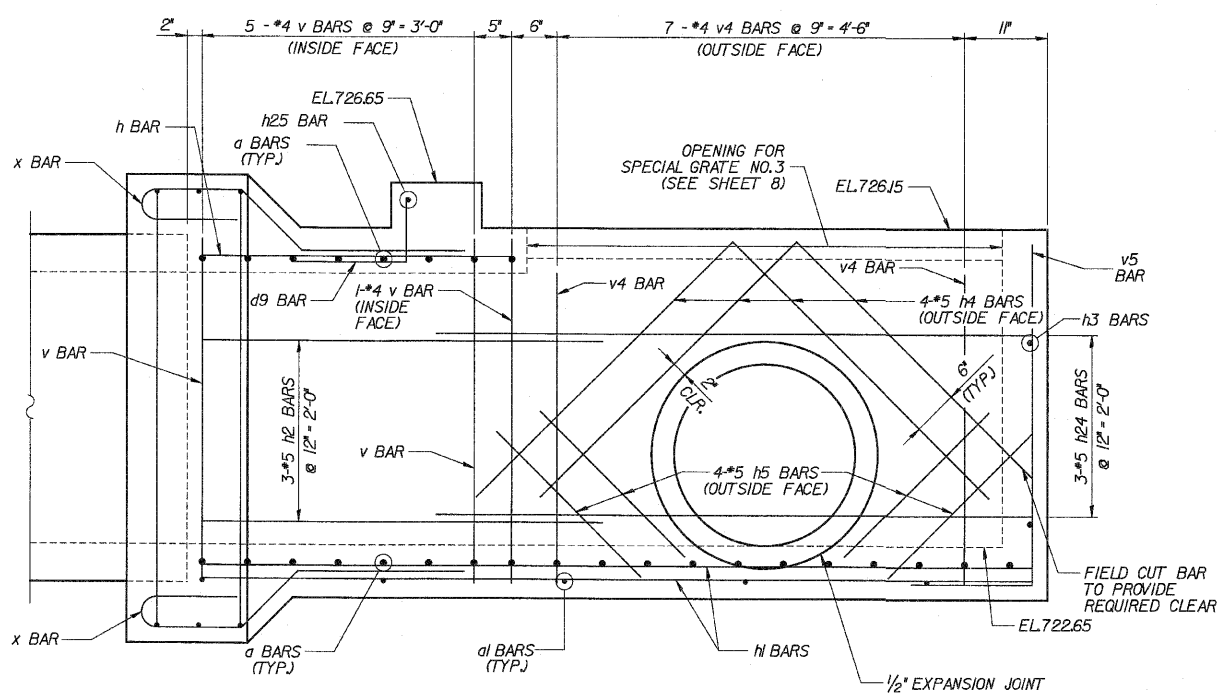
PLAN



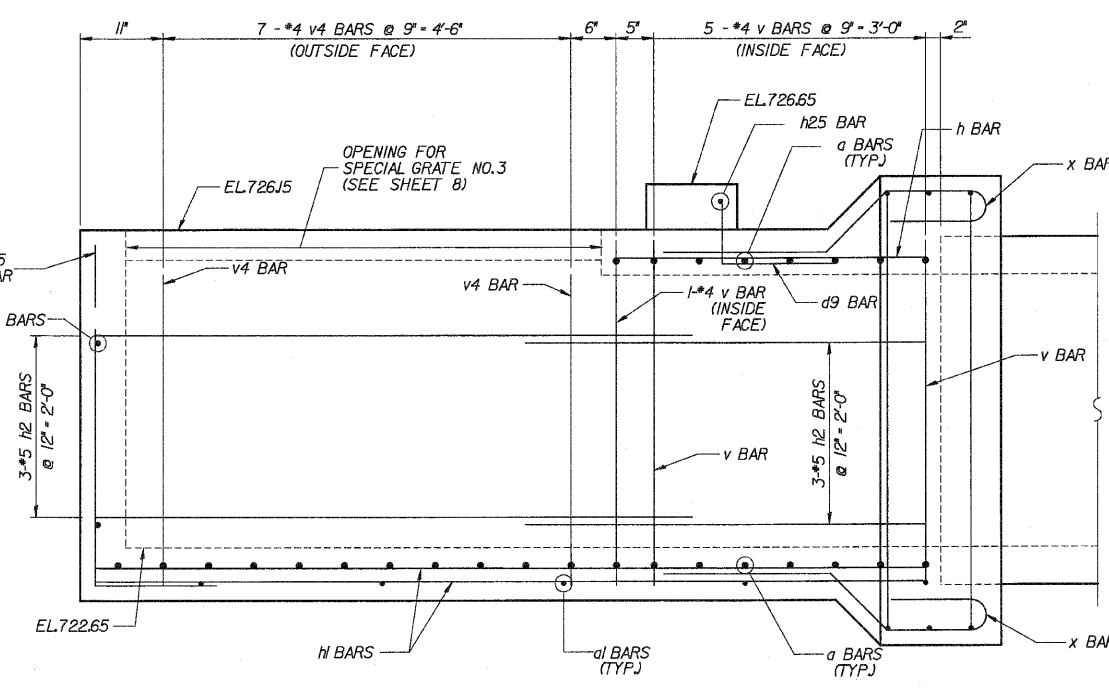
VIEW C-C



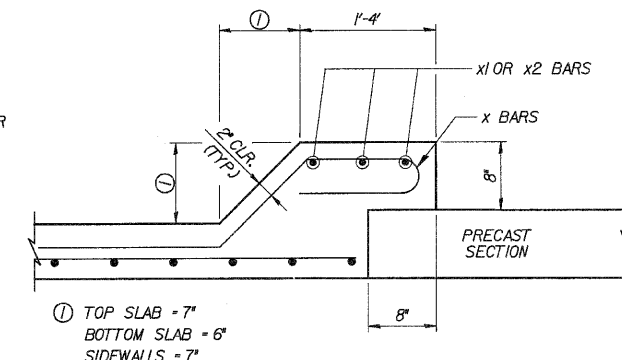
SECTION L-L



VIEW A-A



VIEW B-B



PRECAST TO CAST-IN-PLACE
CONNECTION COLLAR

DESIGNED	ASP
CHECKED	CDS
DRAWN	BEM
CHECKED	ASP

NOTE:
FIELD CUT #4, #5, & v24 BARS TO
FIT AROUND OPENING FOR PIPE.

LEGEND

T.T. - TOP OF TOP SLAB
B.T. - BOTTOM OF TOP SLAB
T.B. - TOP OF BOTTOM SLAB
B.B. - BOTTOM OF BOTTOM SLAB



85 W. Algonquin Rd. Ste. 220
Arlington Heights IL 60005

REVISIONS	
NAME	DATE

CULVERT 'K'
INLET PLAN & ELEVATION
U.S. ROUTE 30 (LINCOLN HIGHWAY)
F.A.P. 353 (U.S. 30)
SECTION (12 & 13) WRS-3
STATION 381+23.02
WILL COUNTY
STRUCTURE NUMBER 099-C016