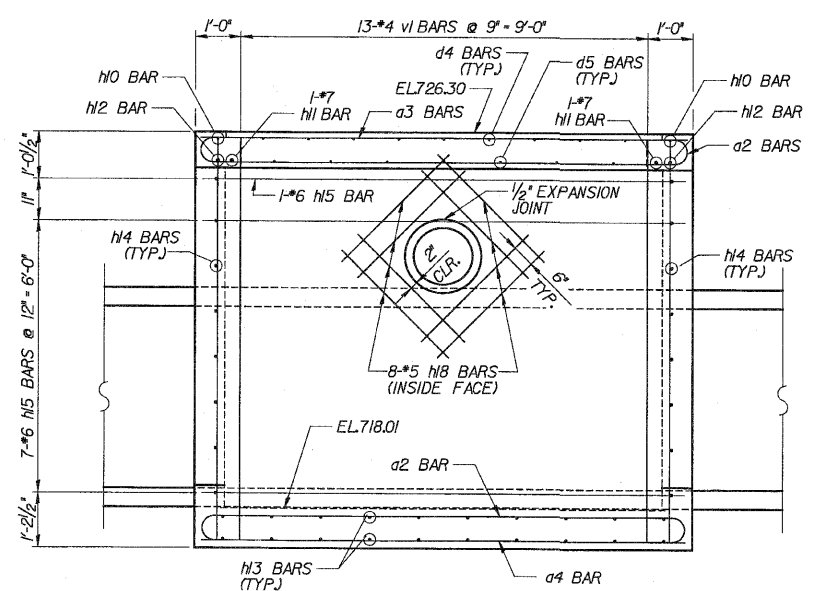
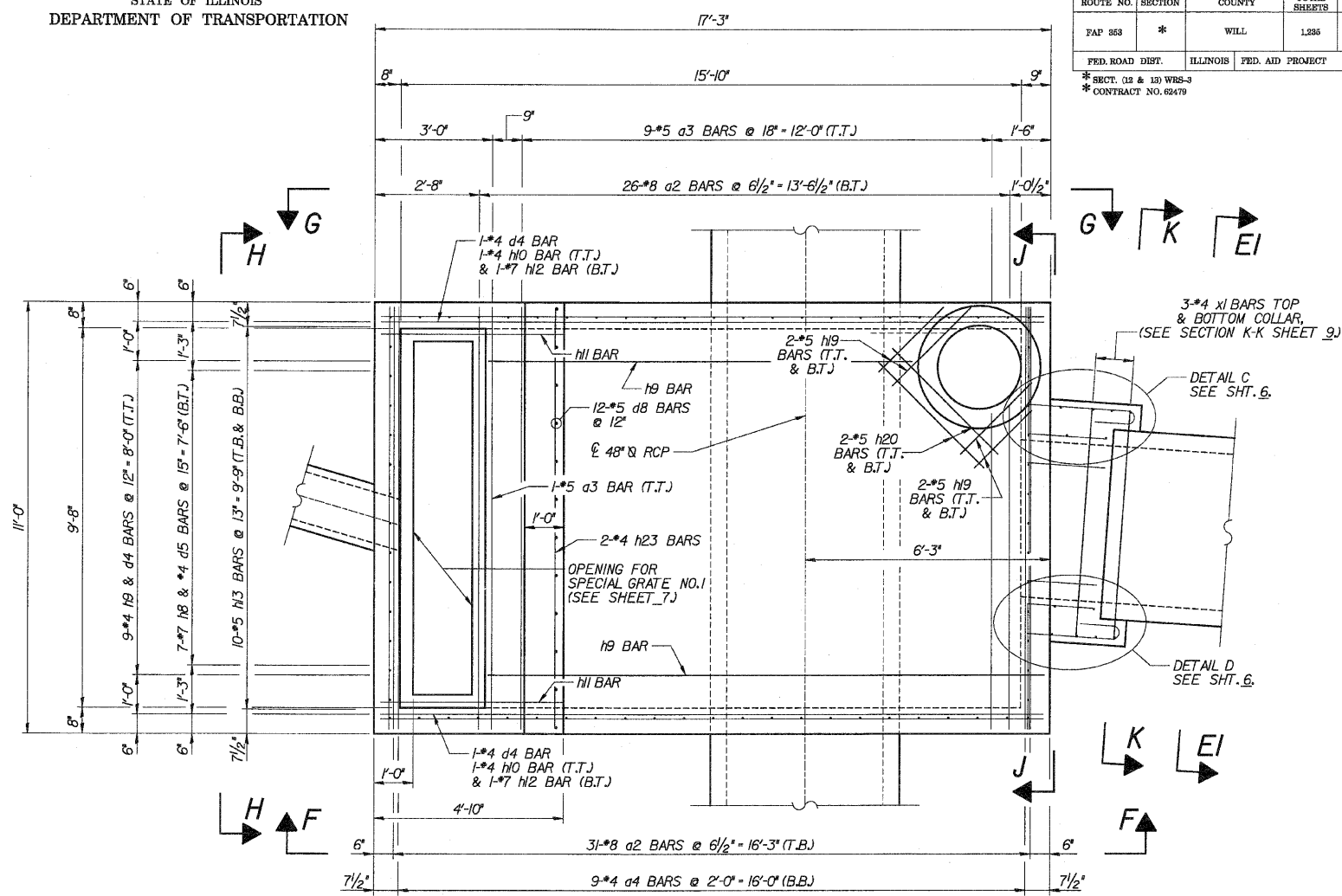


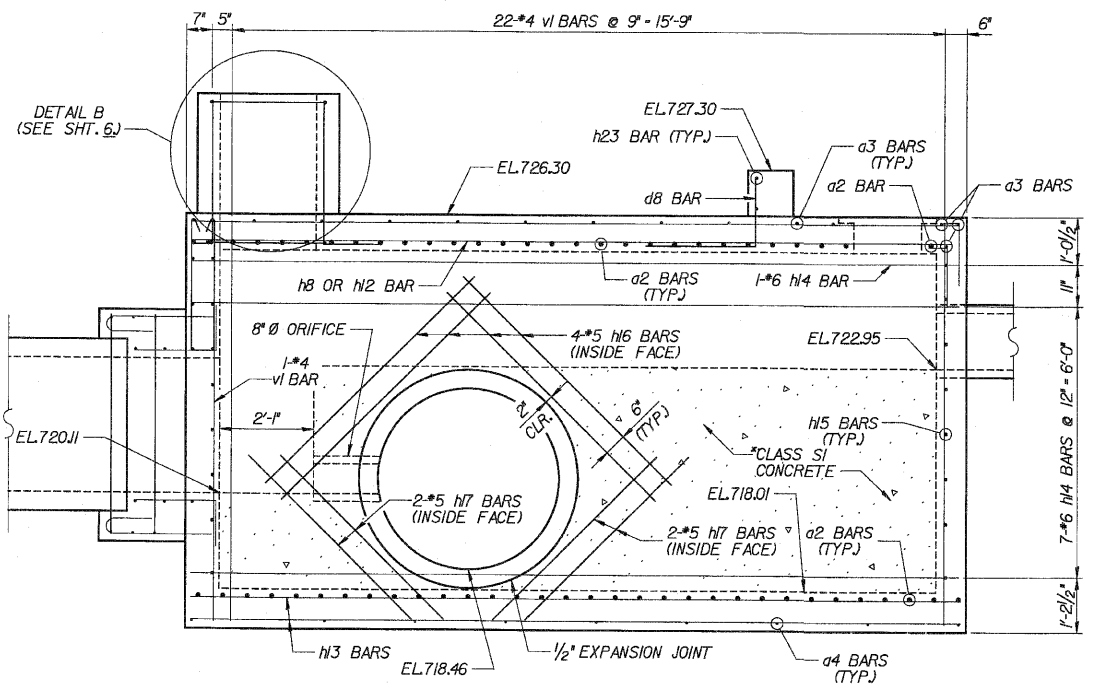
ROUTE NO.	SECTION	COUNTY	TOTAL SHEETS	SHEET NO.
FAP 353	*	WILL	1,285	706
FED. ROAD DIST.		ILLINOIS	FED. AID PROJECT	
* SECT. 12 & 13 WRS-3 * CONTRACT NO. 62479				



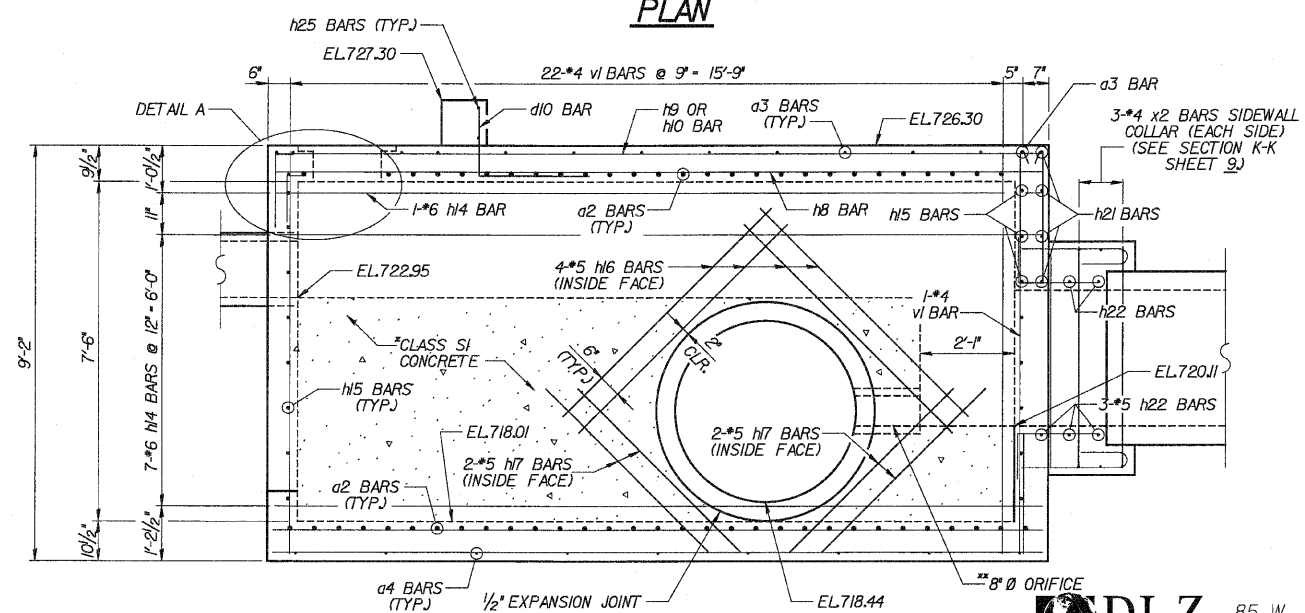
VIEW H-H



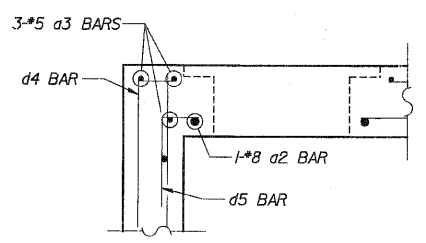
PLAN



VIEW G-G



VIEW F-F



DETAIL A

DESIGNED	ASP
CHECKED	CDS
DRAWN	BEM
CHECKED	ASP

**LEGEND**  
T.T. - TOP OF TOP SLAB  
B.T. - BOTTOM OF TOP SLAB  
T.B. - TOP OF BOTTOM SLAB  
B.B. - BOTTOM OF BOTTOM SLAB

\* COST OF CLASS SI CONCRETE SHALL BE INCLUDED IN THE COST OF CONCRETE BOX CULVERTS.  
NOTE: FIELD CUT #8, #9, #10, #14, #15, #2, #3 & #6 BARS TO FIT AROUND OPENING FOR PIPE AND FRAME & LIDS, WHEN NECESSARY.  
8" Ø ORIFICE SHALL BE SCHEDULE 40 PVC AND SHALL BE CORED INTO 48" Ø RCP. COST TO BE INCLUDED IN CONCRETE BOX CULVERTS.

BACKFILLING OPERATIONS AROUND CHAMBER SHALL BE COMPLETED PRIOR TO PLACEMENT OF CLASS SI CONCRETE INSIDE CHAMBER.

REVISIONS	
NAME	DATE

**DLZ** 85 W. Algonquin Rd. Ste. 220  
Arlington Heights IL 60005

**CULVERT 'K'**  
**OUTLET PLAN & ELEVATION**  
U.S. ROUTE 30 (LINCOLN HIGHWAY)  
F.A.P. 353 (U.S. 30)  
SECTION (12 & 13) WRS-3  
STATION 381+23.02  
WILL COUNTY  
STRUCTURE NUMBER 099-C016