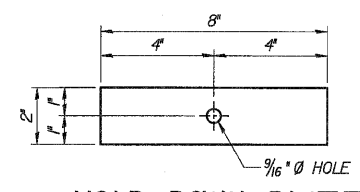
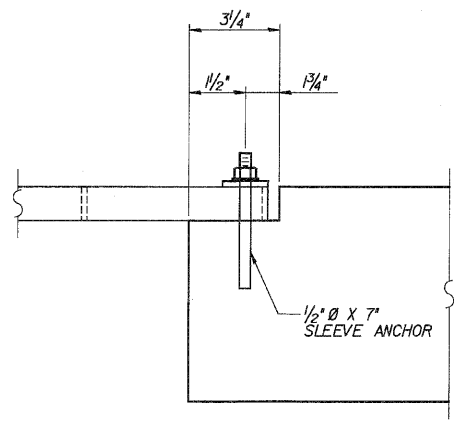
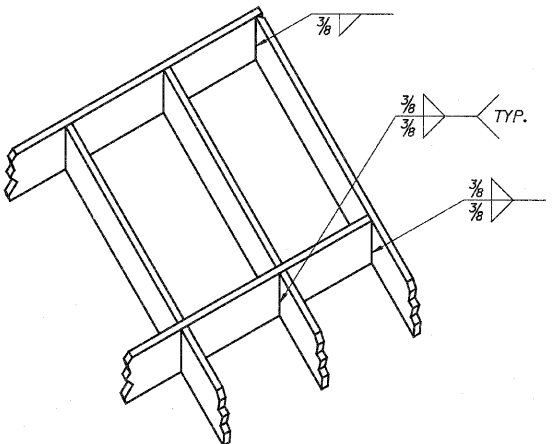
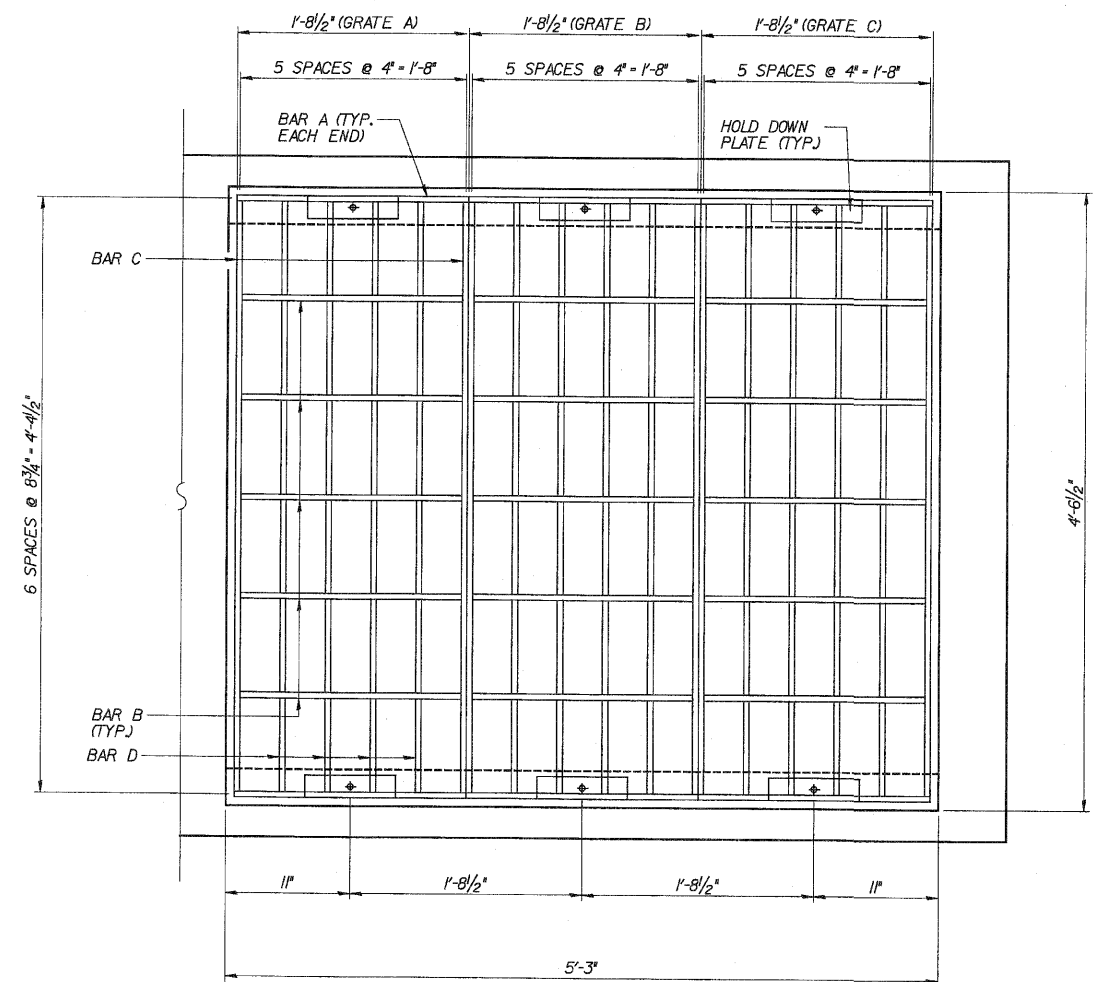


ROUTE NO.	SECTION	COUNTY	TOTAL SHEETS	SHEET NO.
FAP 353	*	WILL	1,236	718A
FED. ROAD DIST.		ILLINOIS	FED. AID PROJECT	

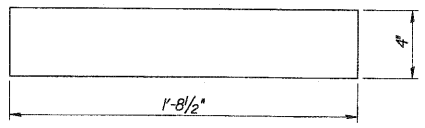
* SBC. (12 & 13) WRS-3
* CONTRACT NO. 62475



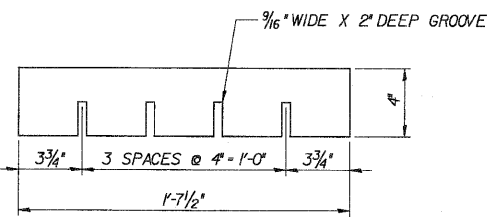
ISOMETRIC VIEW OF
FRAME AND GRATE

SLEEVE ANCHOR
1/2" Ø X 7"
(2-EA. GRATE, 6 TOTAL)

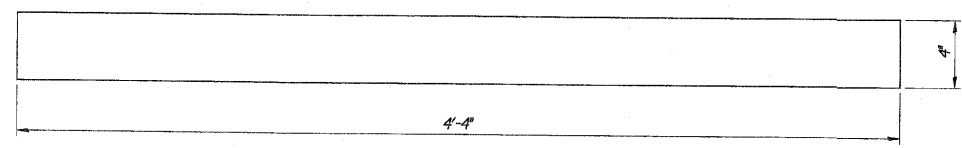
HOLD DOWN PLATE
8" X 2" X 1/4"
(2-EA. GRATE, 6 TOTAL)



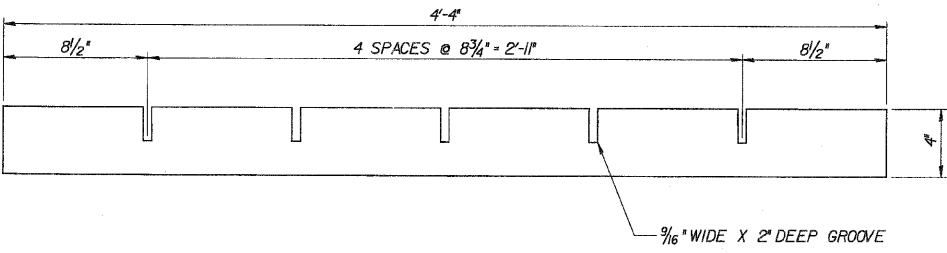
BAR A
1'-8 1/2" X 4" X 1/2"
(2-EA. GRATE, 6 TOTAL)



BAR B
1'-7 1/2" X 4" X 1/2"
(5-EA. GRATE, 15 TOTAL)



BAR C
4'-4" X 4" X 1/2"
(2-EA. GRATE, 6 TOTAL)



BAR D
4'-4" X 4" X 1/2"
(4-EA. GRATE, 12 TOTAL)

- NOTES
- FABRICATOR TO FIELD VERIFY ALL DIMENSIONS PRIOR TO FABRICATION
 - ALL STEEL SHALL BE GALVANIZED AFTER FABRICATION AND SHALL CONFORM TO THE REQUIREMENTS OF AASHTO M111.
 - ALL STRUCTURAL STEEL SHALL BE A36 STEEL, F_y=36,000psi. STRUCTURAL STEEL SHALL BE IN ACCORDANCE WITH SECTION 505 OF THE IDOT STANDARD SPECIFICATIONS FOR ROAD AND BRIDGE CONSTRUCTION.
 - FIELD WELDING IS PROHIBITED. ALL WELDING AND WELDING MATERIALS SHALL BE IN ACCORDANCE WITH CURRENT AMERICAN WELDING SOCIETY (AWS) SPECIFICATIONS.
 - SEE SPECIAL PROVISION FOR "SPECIAL GRATE NO.3"
 - IF FABRICATOR CHOOSES TO ALTER GRATE DESIGN, SHOP DRAWINGS SHALL BE SUBMITTED TO THE ENGINEER FOR APPROVAL.

DLZ 85 W. Algonquin Rd. Ste. 220
Arlington Heights IL 60005
DLZ Illinois, Inc.

CULVERT 'K'
SPECIAL GRATE NO.3
U.S.ROUTE 30 (LINCOLN HIGHWAY)
F.A.P.353 (U.S.30)
SECTION (12 & 13) WRS-3
STATION 381+23.02
WILL COUNTY
STRUCTURE NUMBER 099-C016

DESIGNED	ASP
CHECKED	CDS
DRAWN	BEM
CHECKED	ASP

REVISIONS	
NAME	DATE