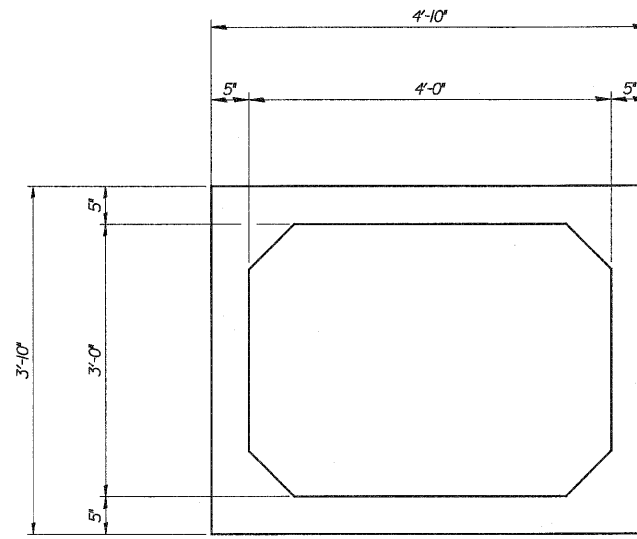
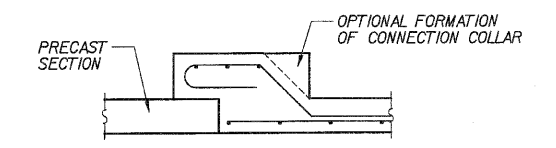


SECTION D-D

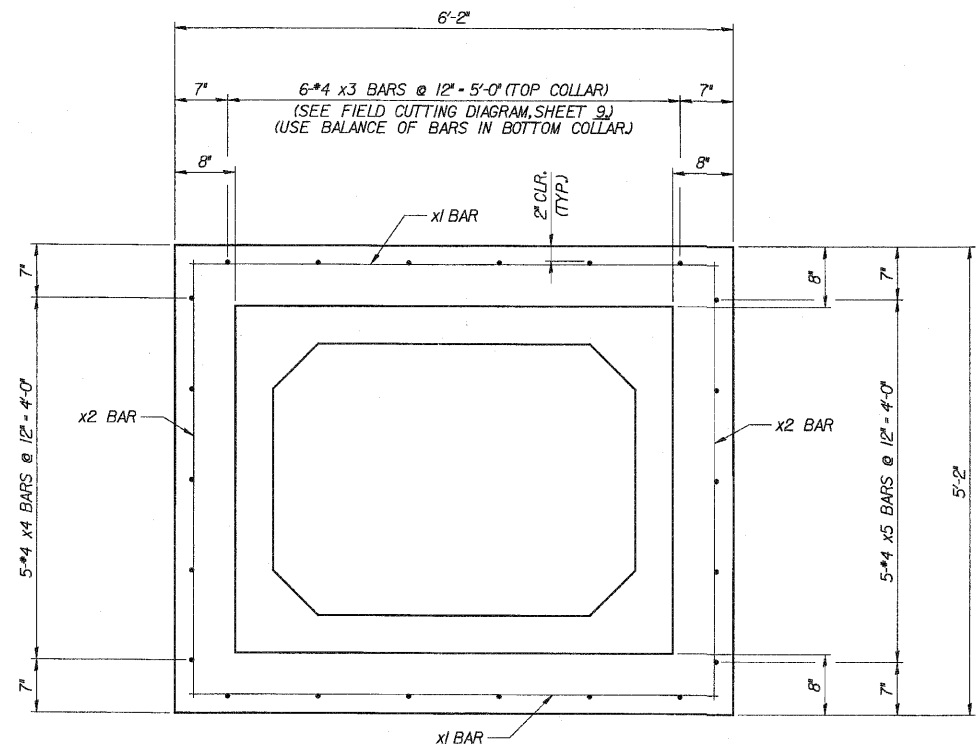


SECTION E-E & E-I-EI

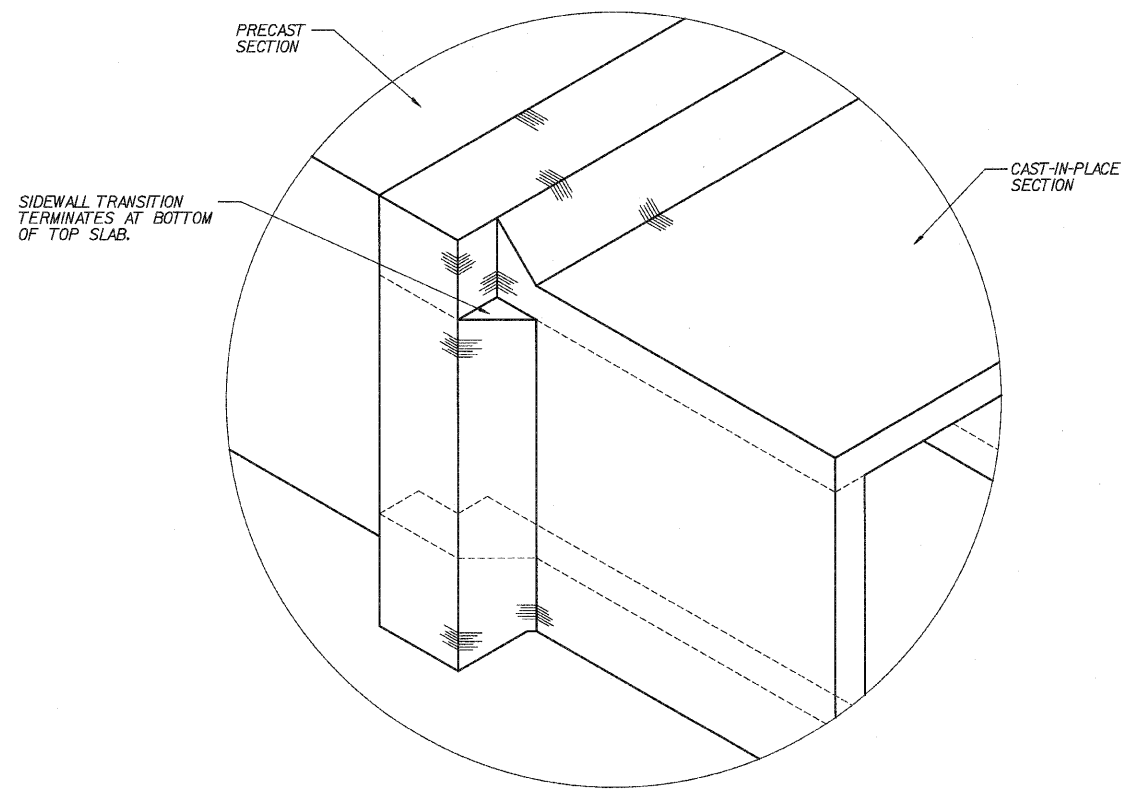


OPTIONAL PRECAST TO CAST-IN-PLACE CONNECTION COLLAR

NOTE: ADDITIONAL CONCRETE USED FOR THE OPTIONAL COLLAR FORMATION WILL BE PROVIDED AT THE CONTRACTOR'S EXPENSE.



SECTION K-K



ISOMETRIC VIEW OF CONNECTION COLLAR

DESIGNED	ASP
CHECKED	CDS
DRAWN	BEM
CHECKED	ASP

REVISIONS	
NAME	DATE

DLZ 85 W. Algonquin Rd. Ste. 220
Arlington Heights IL 60005

CULVERT 'K'
TYPICAL SECTIONS
U.S. ROUTE 30 (LINCOLN HIGHWAY)
F.A.P. 353 (U.S. 30)
SECTION (12 & 13) WRS-3
STATION 381+23.02
WILL COUNTY
STRUCTURE NUMBER 099-C016