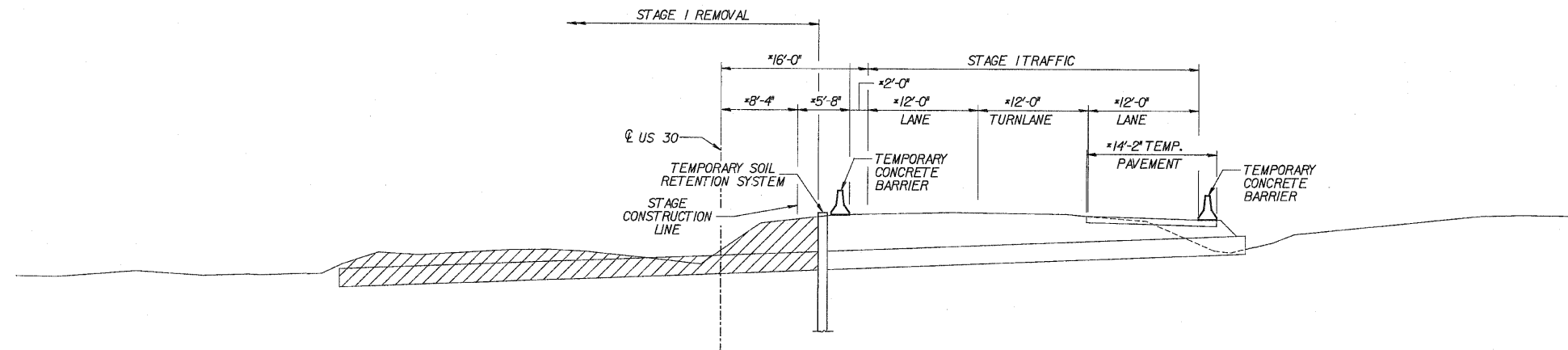


ROUTE NO.	SECTION	COUNTY	TOTAL SHEETS	SHEET NO.
FAP 353	*	WILL	1235	716
FED. ROAD DIST.		ILLINOIS	FED. AID PROJECT	

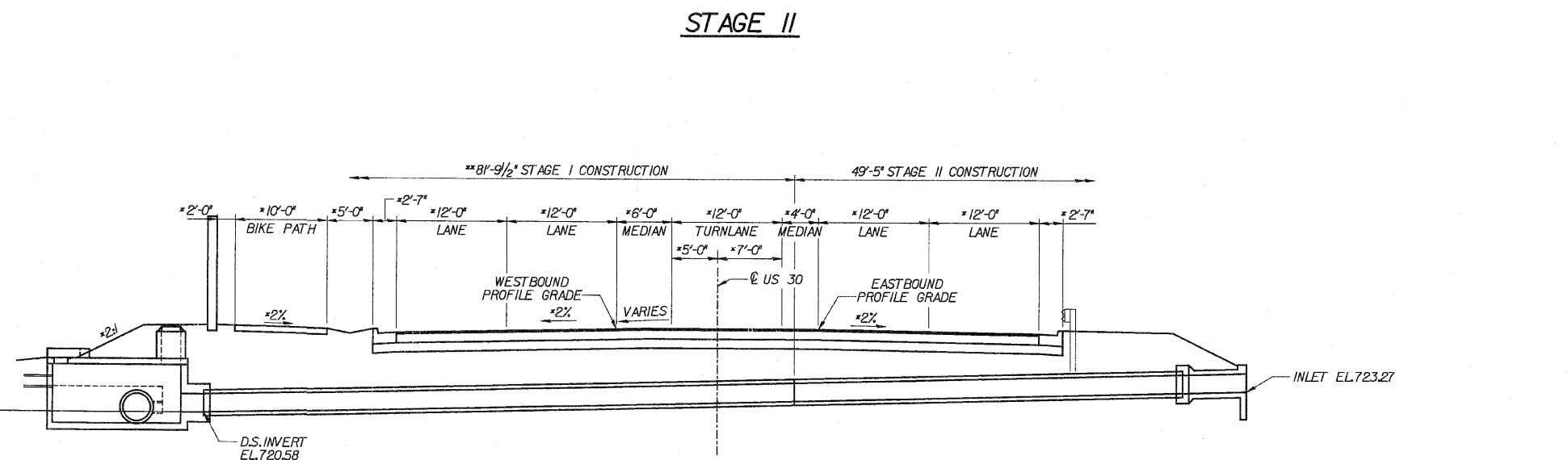
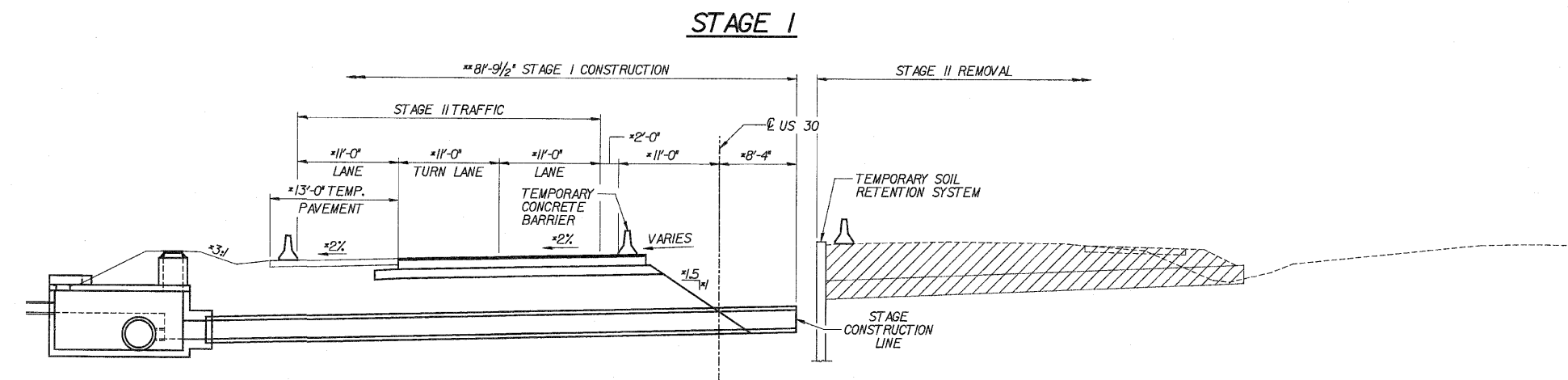
* SBC 12 & 13 WRS-3
* CONTRACT NO. 69479



PROPOSED STAGING NOTES

- STAGE I REMOVAL AND CONSTRUCTION
1. MAINTAIN TWO LANES OF TRAFFIC.
 2. INSTALL TEMPORARY PAVEMENT.
 3. INSTALL TEMPORARY CONCRETE BARRIERS
 4. INSTALL STAGE I TEMPORARY SOIL RETENTION SYSTEM
 5. REMOVE PORTION OF NORTHERN END OF EXISTING STRUCTURE.
 6. CONSTRUCT STAGE I PORTION OF THE STRUCTURE.
 7. CONSTRUCT ROADWAY PAVEMENT.

- STAGE II REMOVAL AND CONSTRUCTION
1. INSTALL TEMPORARY CONCRETE BARRIER.
 2. REMOVE REMAINDER OF EXISTING STRUCTURE.
 3. CONSTRUCT STAGE II PORTION OF THE STRUCTURE.
 4. CONSTRUCT ROADWAY PAVEMENT.



* MEASURED PERPENDICULAR TO CENTERLINE OF ROADWAY.
** MEASURED ALONG CENTERLINE OF CULVERT.

DLZ 85 W. Algonquin Rd. Ste. 220
Arlington Heights IL 60005

FINAL CROSS SECTION

LEGEND

REMOVAL OF EXISTING STRUCTURES

REVISIONS	
NAME	DATE

DESIGNED	ASP
CHECKED	CDS
DRAWN	BEM
CHECKED	ASP

CULVERT 'L'
PROPOSED STAGE PLANNING
U.S. ROUTE 30 (LINCOLN HIGHWAY)
F.A.P. 353 (U.S. 30)
SECTION (12 & 13) WRS-3
STATION 387+33.00
WILL COUNTY
STRUCTURE NUMBER 099-C017