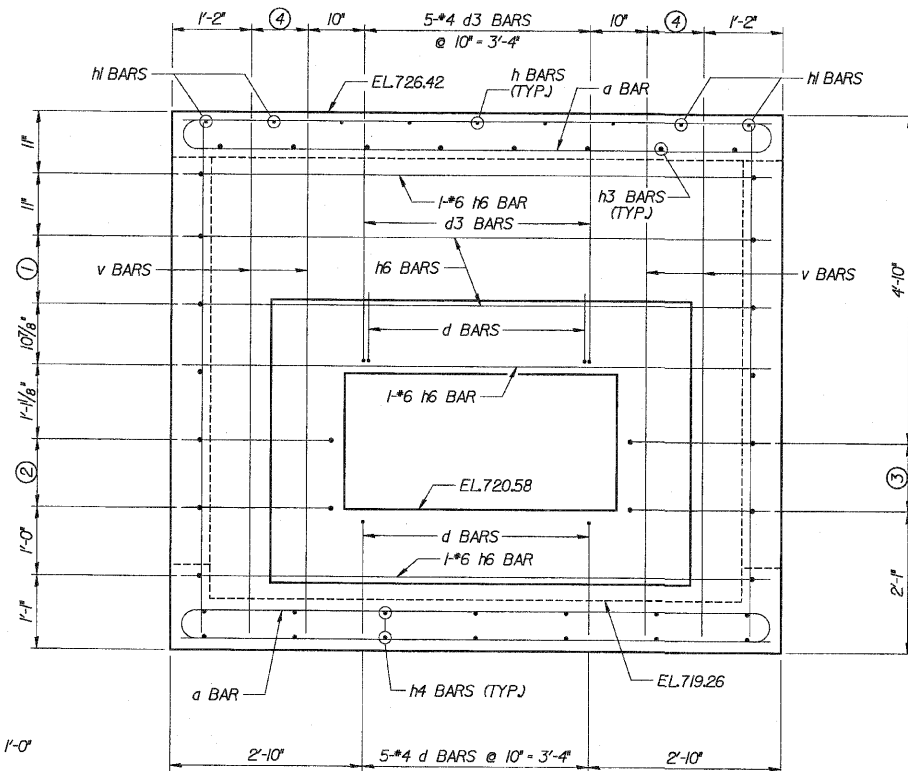
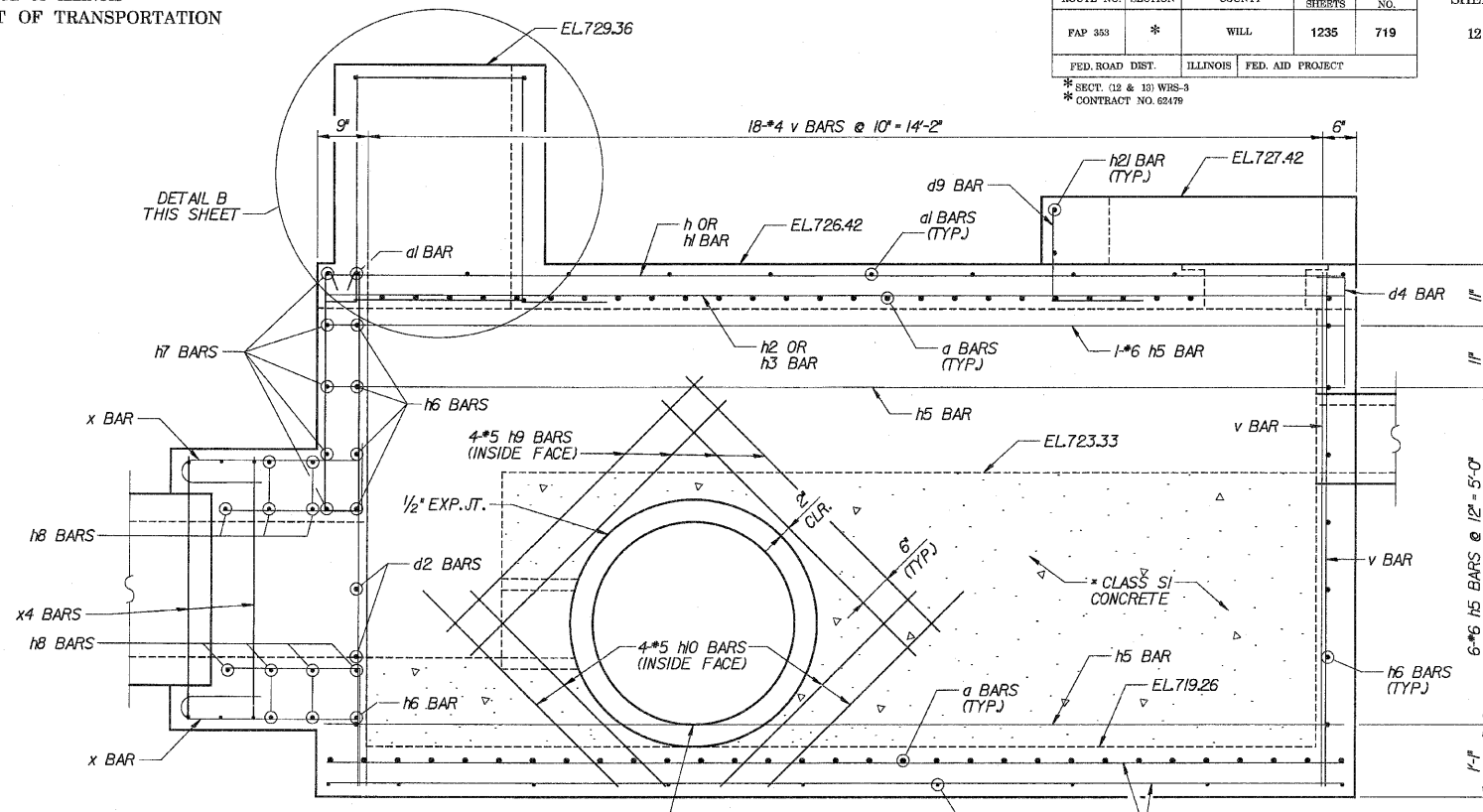


ROUTE NO.	SECTION	COUNTY	TOTAL SHEETS	SHEET NO.
FAP 353	*	WILL	1235	719
FED. ROAD DIST.		ILLINOIS	FED. AID PROJECT	
* SECT. 12 & 13) WRS-3				
* CONTRACT NO. 62476				



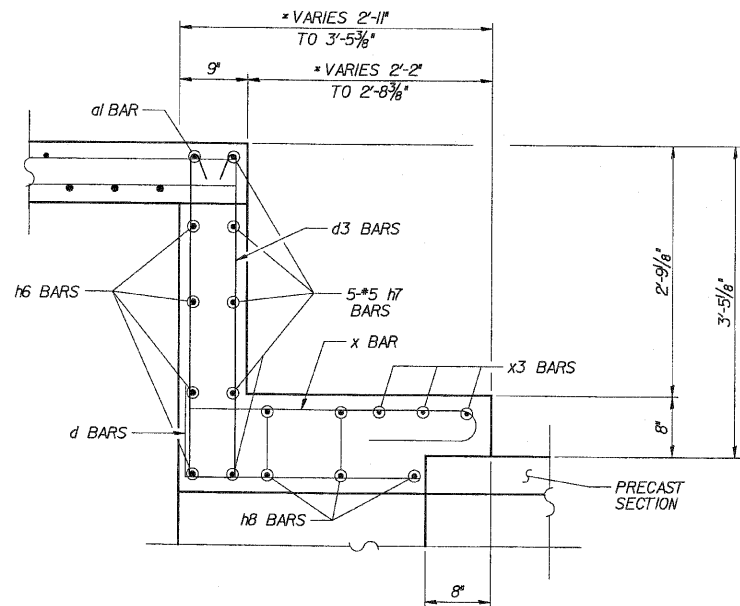
- ① 2 #6 h6 BARS @ 12" - 1'-0"
- ② 2 #6 d1 BARS @ 12" - 1'-0"
- ③ 2 #6 d2 BARS @ 12" - 1'-0"
- ④ 2 #4 v BARS @ 10" - 1'-0"

(TOP & BOTTOM)  
SEE FIELD CUTTING DIAGRAM  
SHEET 10.  
**VIEW D-D**



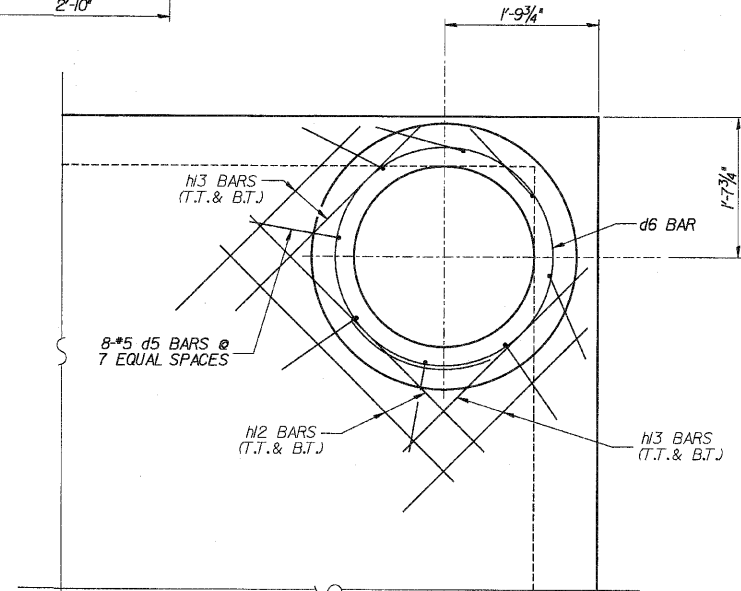
**VIEW C-C**

\* TO BE INCLUDED IN THE COST  
OF CONCRETE BOX CULVERTS

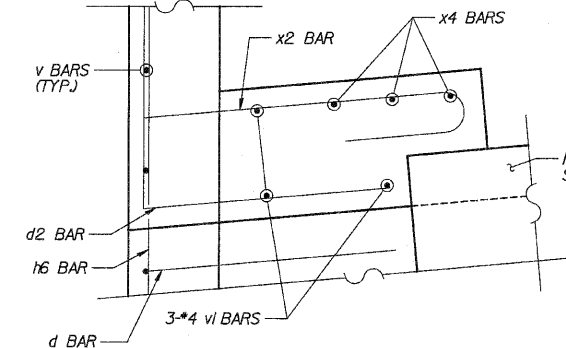


**PRECAST TO CAST-IN-PLACE  
CONNECTION COLLAR**

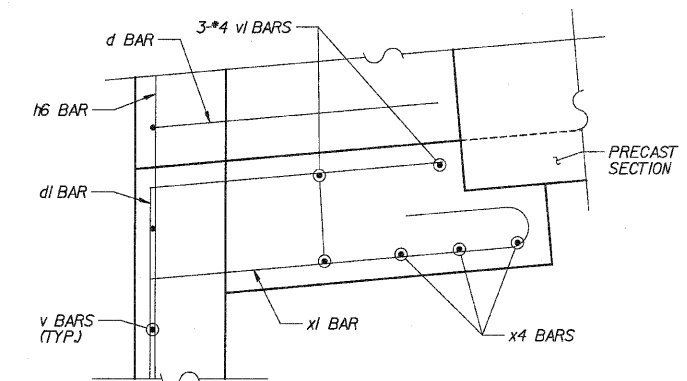
\* MEASURED PERPENDICULAR  
TO CHAMBER WALL



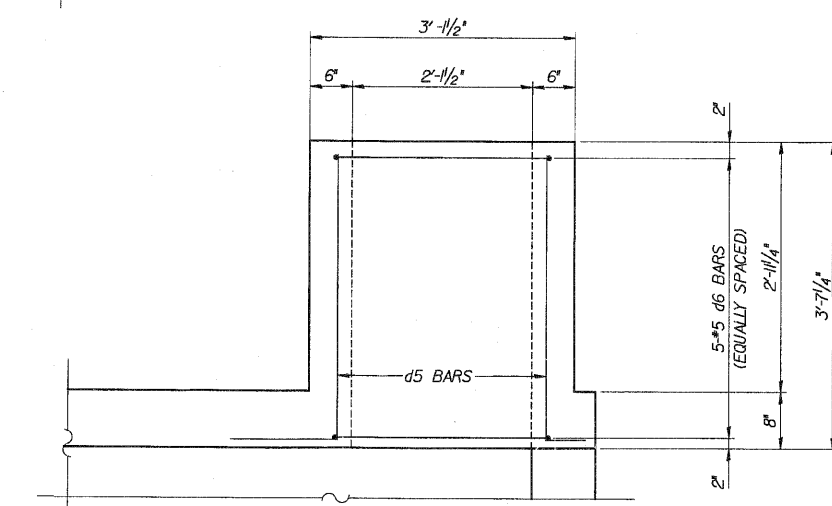
**DETAIL B**



**DETAIL C**



**DETAIL D**



**DETAIL A**

DESIGNED	ASP
CHECKED	CDS
DRAWN	BEM
CHECKED	ASP

REVISIONS	
NAME	DATE

**DLZ** 85 W. Algonquin Rd. Ste. 220  
Arlington Heights IL 60005

**CULVERT 'L'  
JUNCTION CHAMBER DETAILS**  
U.S. ROUTE 30 (LINCOLN HIGHWAY)  
F.A.P. 353 (U.S. 30)  
SECTION (12 & 13) WRS-3  
STATION 387+33.00  
WILL COUNTY  
STRUCTURE NUMBER 099-C017