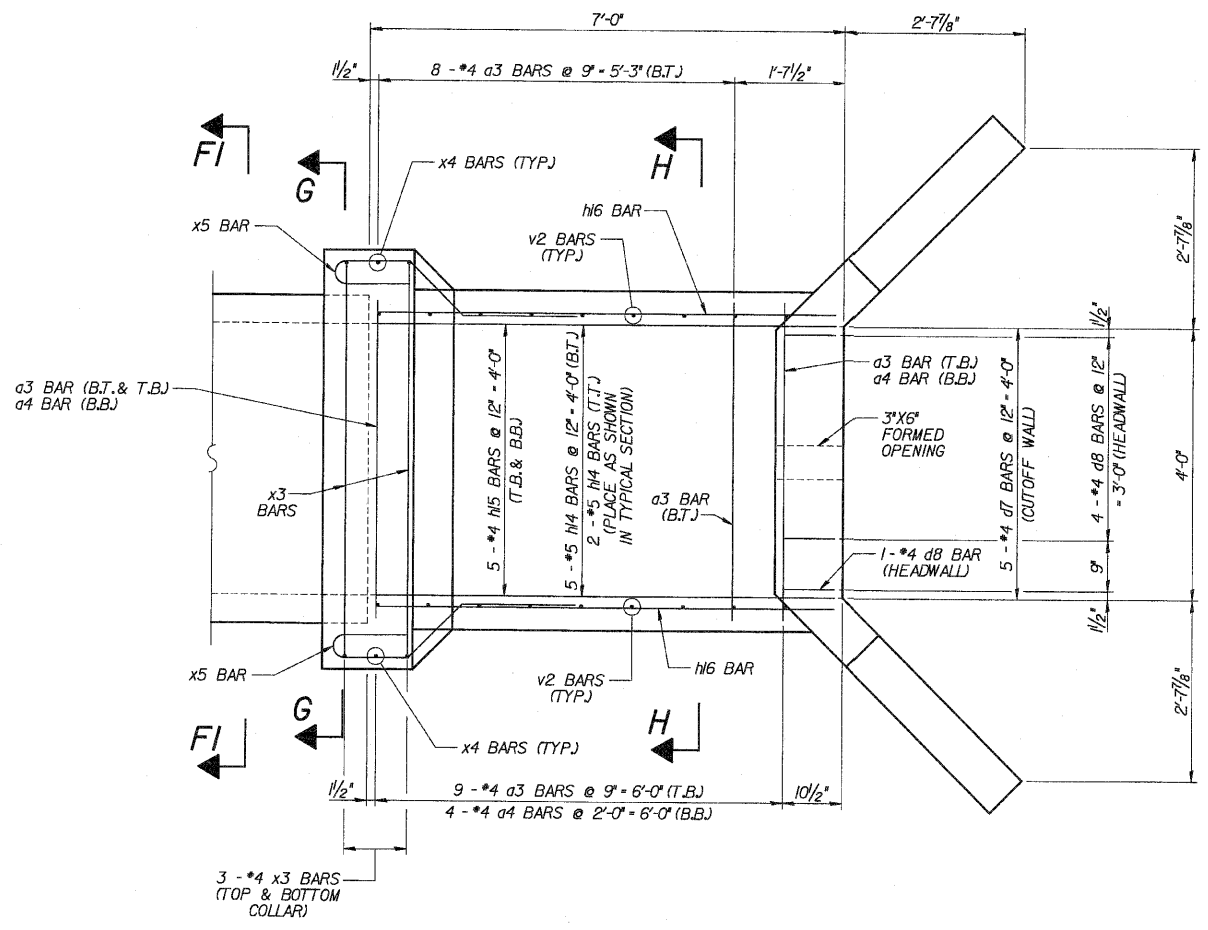
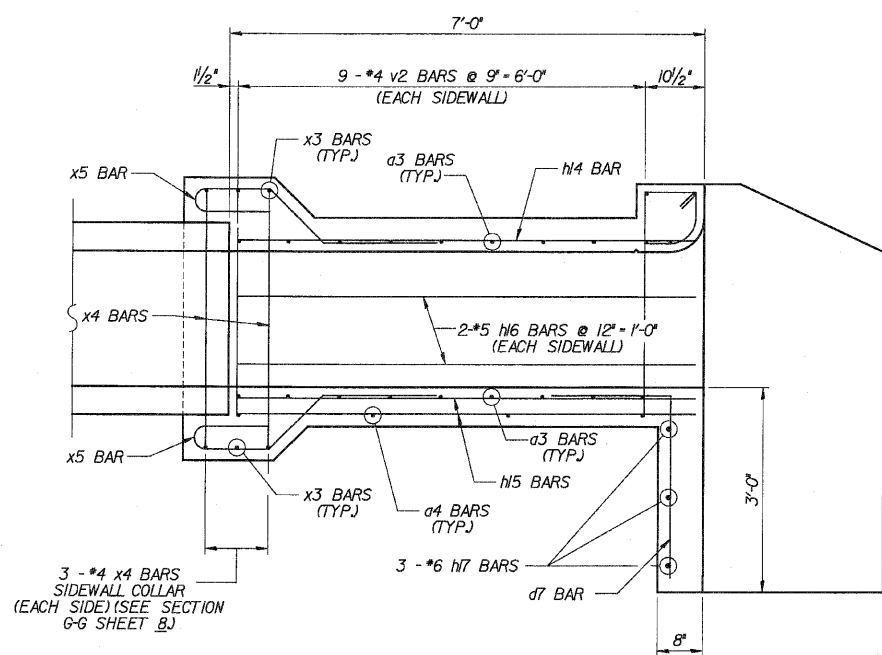


ROUTE NO.	SECTION	COUNTY	TOTAL SHEETS	SHEET NO.
FAP 353	*	WILL	1235	721
FED. ROAD DIST.		ILLINOIS	FED. AID PROJECT	

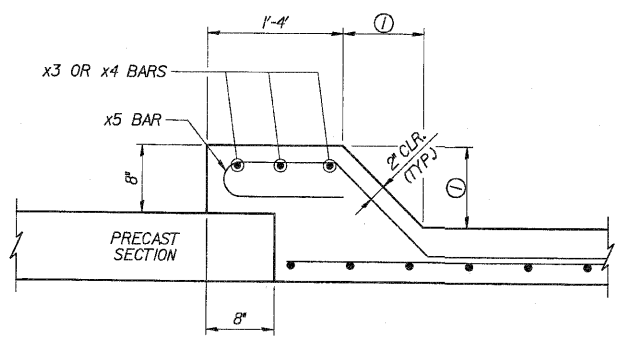
* SECT. 12 & 13) WRS-3
* CONTRACT NO. 62479



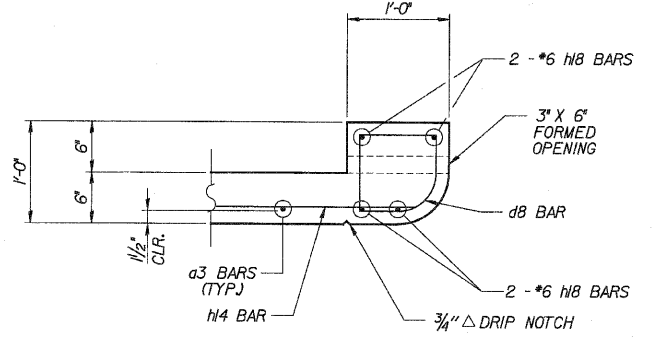
PLAN



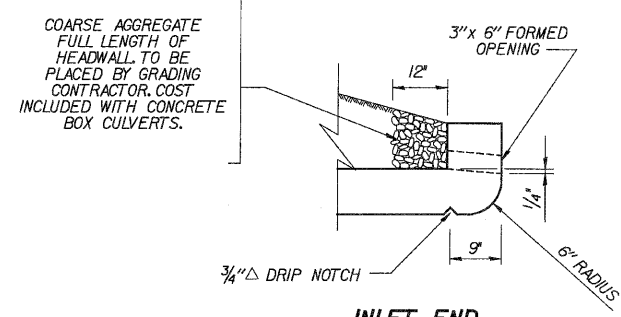
ELEVATION



**PRECAST TO CAST-IN-PLACE
CONNECTION COLLAR**



HEADWALL DETAIL



**INLET END
DRAIN DETAIL**

COARSE AGGREGATE FULL LENGTH OF HEADWALL TO BE PLACED BY GRADING CONTRACTOR. COST INCLUDED WITH CONCRETE BOX CULVERTS.

① TOP SLAB = 7"
BOTTOM SLAB = 6"
SIDEWALLS = 7"

DESIGNED	ASP
CHECKED	CDS
DRAWN	BEM
CHECKED	ASP

LEGEND

T.T. = TOP OF TOP SLAB
B.T. = BOTTOM OF TOP SLAB
T.B. = TOP OF BOTTOM SLAB
B.B. = BOTTOM OF BOTTOM SLAB

REVISIONS	
NAME	DATE

DLZ 85 W. Algonquin Rd. Ste. 220
Arlington Heights IL 60005
DLZ Illinois, Inc.

CULVERT 'L'
INLET PLAN & ELEVATION
U.S. ROUTE 30 (LINCOLN HIGHWAY)
F.A.P. 353 (U.S. 30)
SECTION 12 & 13) WRS-3
STATION 387+33.00
WILL COUNTY
STRUCTURE NUMBER 099-C017