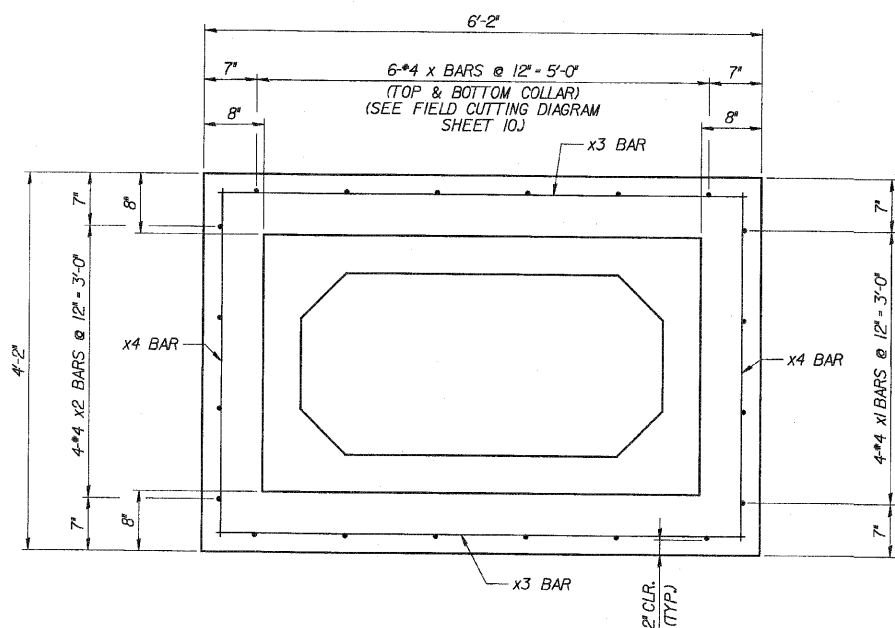
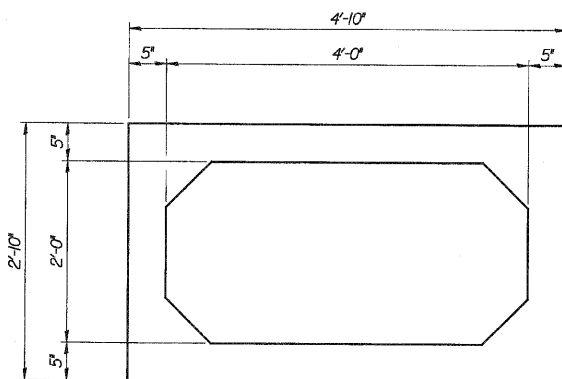


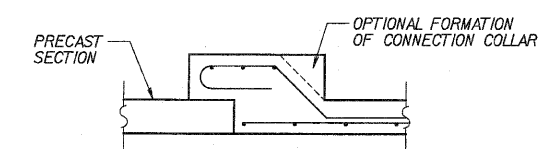
* SECT. 12 & 13 WRS-3
** CONTRACT NO. 62479



SECTION E-E
JUNCTION CHAMBER PRECAST TO
CAST-IN-PLACE CONNECTION COLLAR.

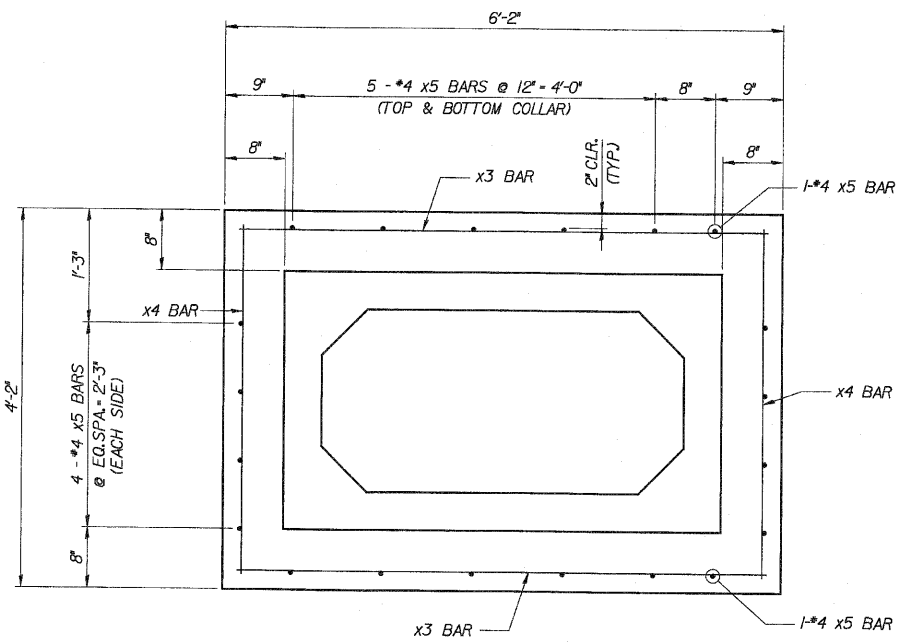


SECTION F-F & FI-FI

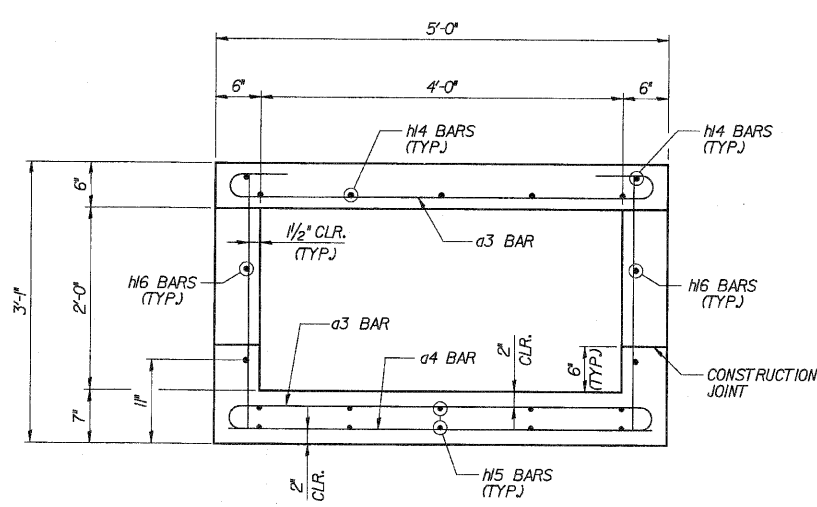


**OPTIONAL PRECAST TO CAST-IN-PLACE
CONNECTION COLLAR**

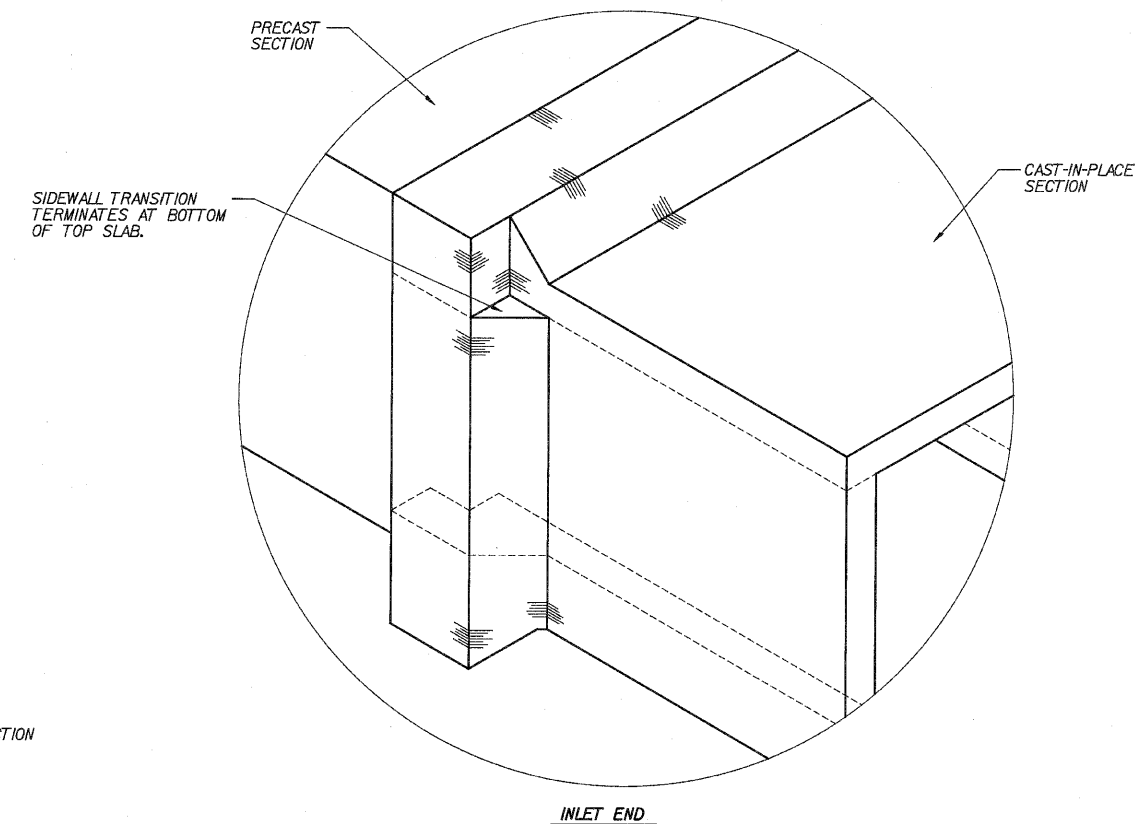
NOTE:
ADDITIONAL CONCRETE USED FOR THE
OPTIONAL COLLAR FORMATION WILL BE
PROVIDED AT THE CONTRACTOR'S EXPENSE.



SECTION G-G
INLET PRECAST TO CAST-IN-PLACE
CONNECTION COLLAR



SECTION H-H



**ISOMETRIC VIEW OF INLET
CONNECTION COLLAR**

DLZ 85 W. Algonquin Rd. Ste. 220
Arlington Heights IL 60005
DLZ Illinois, Inc.

DESIGNED	ASP
CHECKED	CDS
DRAWN	BEM
CHECKED	ASP

REVISIONS	
NAME	DATE

CULVERT 'L'
TYPICAL SECTIONS
U.S. ROUTE 30 (LINCOLN HIGHWAY)
F.A.P. 353 (U.S. 30)
SECTION (12 & 13) WRS-3
STATION 387+33.00
WILL COUNTY
STRUCTURE NUMBER 099-C017