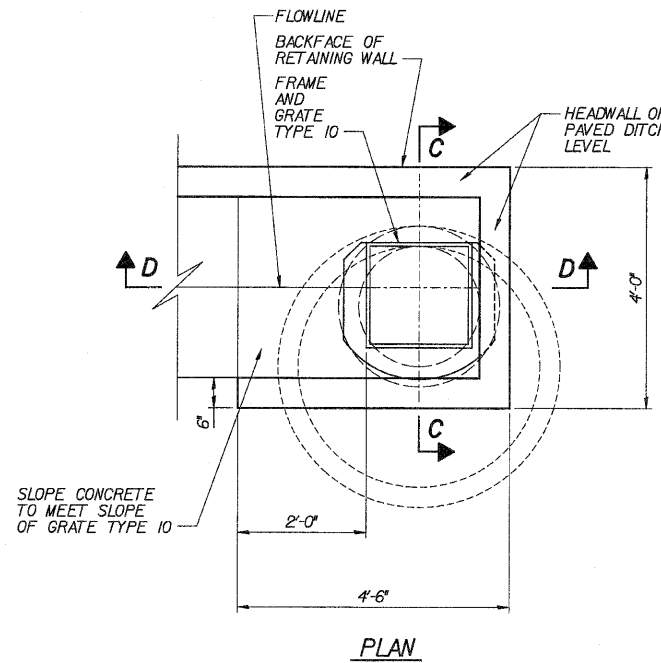


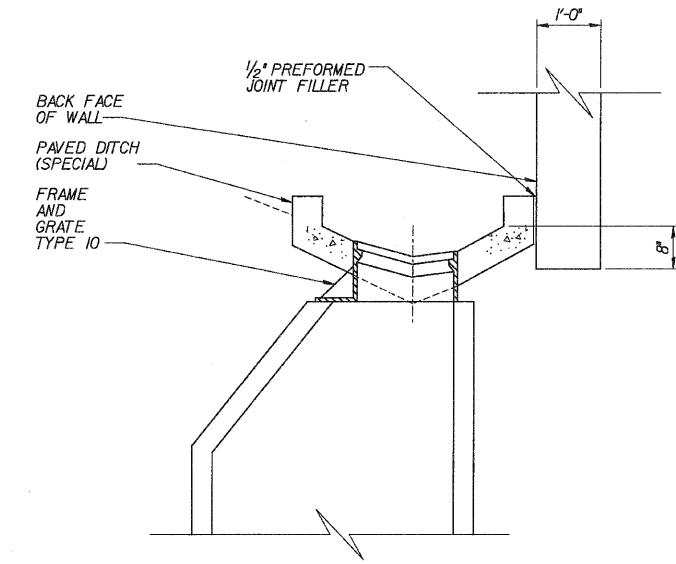
**TYPICAL SECTION THROUGH NOISE ABATEMENT WALL, GROUND MOUNTED**

\* FOUNDATION DEPTH TO BE DETERMINED BY CONTRACTOR.

NOTE: LOW CLEARANCE EQUIPMENT SHOULD BE USED FOR THE INSTALLATION OF THE NOISE WALLS AND THE CONTRACTOR SHOULD COORDINATE THE INSTALLATION WITH THE UTILITY COMPANIES

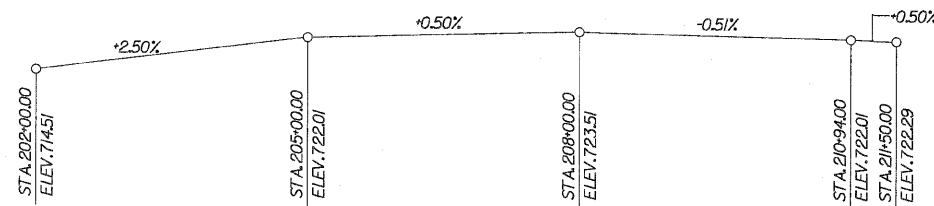


**PLAN**

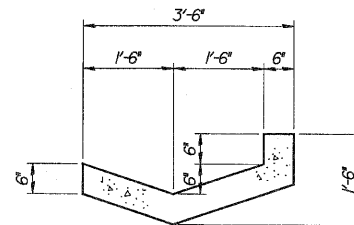


**ELEVATION**

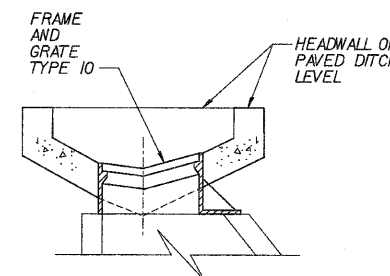
**DRAINAGE DETAIL**



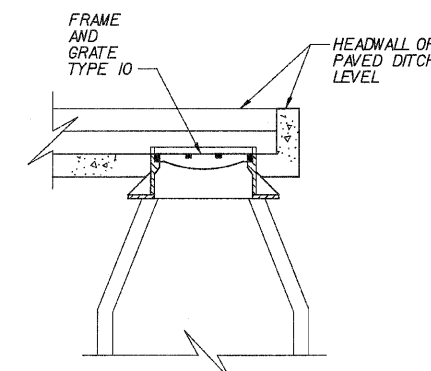
**FLOWLINE OF PAVED DITCH (SPECIAL)**



**PAVED DITCH (SPECIAL)**



**SECTION C-C**



**SECTION D-D**

DESIGNED	WSP
CHECKED	ASP
DRAWN	BGC
CHECKED	WSP

REVISIONS	
NAME	DATE

**DLZ** 85 W. Algonquin Rd. Ste. 220  
Arlington Heights IL 60005  
DLZ Illinois, Inc.

**NOISE WALL A  
GENERAL DETAILS**  
U.S. ROUTE 30 (LINCOLN HIGHWAY)  
F.A.P. 353 (U.S. 30)  
SECTION (12 & 13) WRS-3  
STATION 201+45.00 TO 212+15.00  
WILL COUNTY