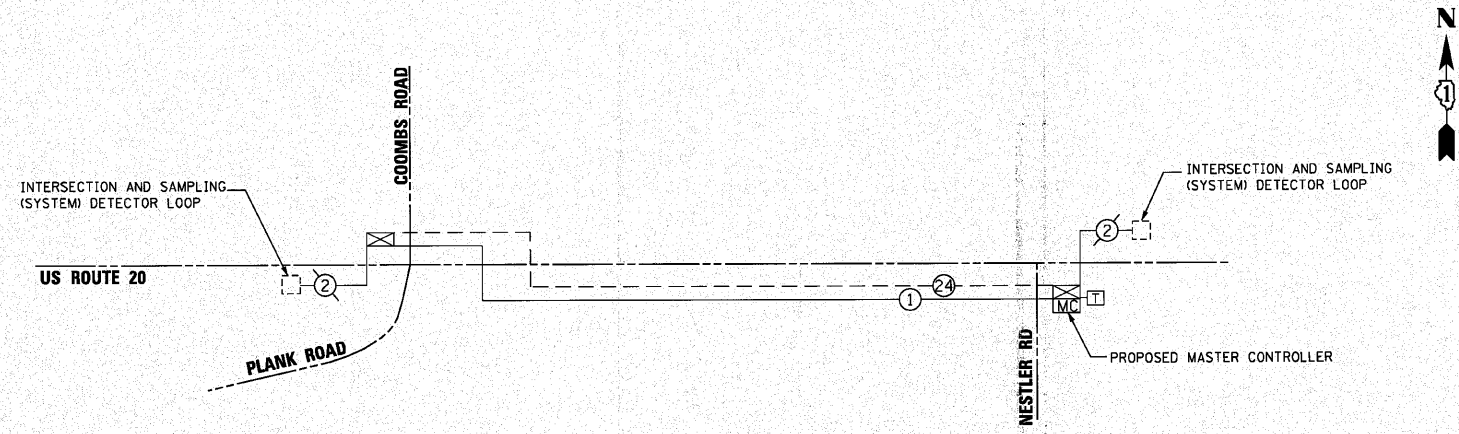


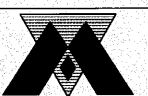
THE TRAFFIC SIGNAL CONTROL EQUIPMENT FOR THIS SYSTEM SHALL BE "EAGLE" TO MATCH THE EXISTING ADJACENT SYSTEM.

SYSTEM INTERCONNECT SCHEDULE OF QUANTITIES

ITEM	UNIT	TOTAL QUANTITY
CONDUIT IN TRENCH, 2" DIA., GALVANIZED STEEL	FOOT	2615
CONDUIT PUSHED, 2" DIA., GALVANIZED STEEL	FOOT	220
HANDHOLE	EACH	2
HEAVY DUTY HANDHOLE	EACH	5
TRENCH AND BACKFILL FOR ELECTRICAL WORK	FOOT	2615
MAINTENANCE OF EXISTING TRAFFIC SIGNAL INSTALLATION	EACH	2
MASTER CONTROLLER	EACH	1
DRILL EXISTING HANDHOLE	EACH	2
OPTIMIZE TRAFFIC SIGNAL SYSTEM	EACH	1
ELECTRIC CABLE IN CONDUIT, TRACER, NO. 14 1C	FOOT	3639
FIBER OPTIC CABLE IN CONDUIT, NO. 62.5/125, MM12F	SM12F	FOOT 3639



FILE NAME = P:\2009\ME06066_Ver-Var_Phi\CADD\W05_US20\Shs\0162529-SHT-1TC2-Schematic.dgn
 USER NAME = Millennium Professional Services



200 22ND Street, Suite 216, Lombard, IL 60148
 630.703.0110 voice, 630.839.2566 fax
 WWW.MPS-IL.COM
MILLENNIA PROFESSIONAL SERVICES

DESIGNED - TVN	REVISED -
DRAWN - TVN	REVISED -
CHECKED - RPD	REVISED -
DATE - 4/9/2010	REVISED -

STATE OF ILLINOIS
DEPARTMENT OF TRANSPORTATION

U.S. ROUTE 20		INTERCONNECT SCHEMATIC	
EAST OF PLANK ROAD TO WELD ROAD			
SCALE: NONE	SHEET NO. 43 OF	SHEETS	STA. TO STA.

F.A.P. RTE.	SECTION	COUNTY	TOTAL SHEETS	SHEET NO.
345	BWRS-2	KANE	72	44
FED. ROAD DIST. NO. 1 ILLINOIS FED. AID PROJECT			CONTRACT NO. 62529	

P:\2009\ME06066_Ver-Var_Phi\CADD\W05_US20\Shs\0162529-SHT-1TC2-Schematic.dgn