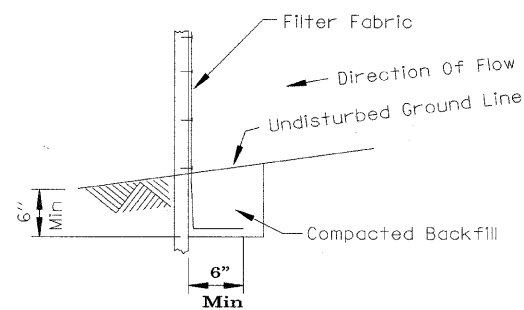
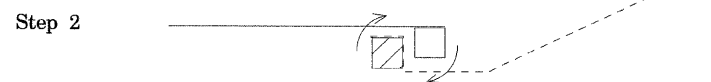
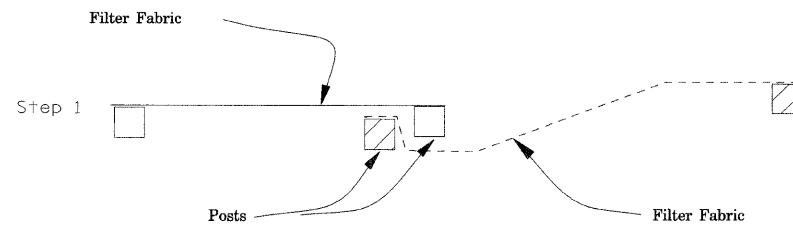


ELEVATION



FABRIC ANCHOR DETAIL

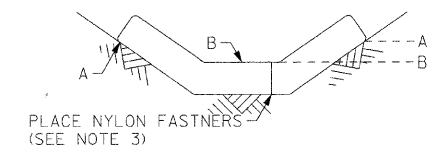
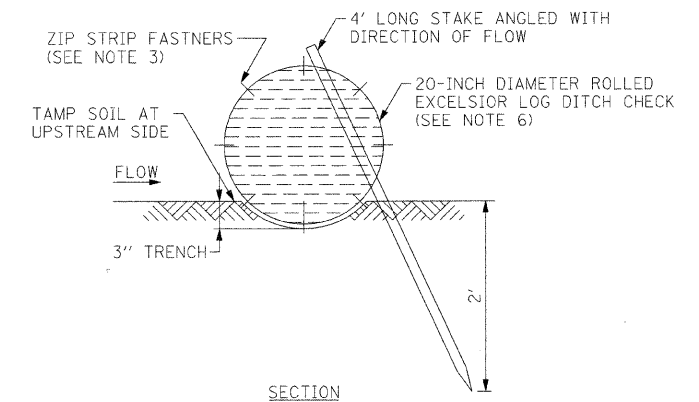


ATTACHING TWO SILT FENCES

DETAIL NOTES:

1. TEMPORARY SEDIMENT FENCE SHALL BE INSTALLED PRIOR TO ANY GRADING WORK IN THE AREA TO BE PROTECTED. THEY SHALL BE MAINTAINED THROUGHOUT THE CONSTRUCTION PERIOD AND REMOVED IN CONJUNCTION WITH THE FINAL GRADING AND SITE STABILIZATION.
2. FILTER FABRIC SHALL MEET THE REQUIREMENTS OF MATERIAL SPECIFICATION 592 GEOTEXTILE TABLE 1 OR 2, CLASS I WITH EQUIVALENT OPENING SIZE OF AT LEAST 30 FOR NONWOVEN AND 50 FOR WOVEN.
3. FENCE POSTS SHALL BE EITHER STANDARD STEEL POST OR WOOD POST WITH A MINIMUM CROSS SECTIONAL AREA OF 3.0 SQUARE INCHES.
4. ASSEMBLY NOTES:
 - A. PLACE THE END POST OF THE SECOND FENCE INSIDE THE END POST OF THE FIRST FENCE.
 - B. ROTATE BOTH POSTS AT LEAST 180 DEGREES IN A CLOCKWISE DIRECTION TO CREATE A TIGHT SEAL WITH THE FABRIC MATERIAL.
 - C. DRIVE BOTH POSTS A MINIMUM OF 18 INCHES INTO THE GROUND AND BURY THE FLAP.

PERIMETER EROSION BARRIER (SILT FILTER FENCE)



DETAIL NOTES:

1. ROLLED EXCELSIOR LOG SHALL BE EMBEDDED IN THE SOIL A MINIMUM OF 3" AND SOIL SHALL BE TAMPED AGAINST THE UPSTREAM SIDE TO ASSURE THAT STORM WATER IS FORCED THROUGH THE LOG, RATHER THAN UNDER IT.
2. STAKES SHALL BE 4' LONG, DRIVEN AT A SPACING OF 2' ON CENTER, 2' INTO THE GROUND. STAKES SHALL BE ENTWINED WITH THE MESH COVERING OF THE ROLL ON THE DOWNSTREAM SIDE AND ANGLED WITH THE DIRECTION OF FLOW. WOOD STAKES TO BE A MINIMUM OF 1" SQUARE. METAL STAKES SHALL BE A MINIMUM OF 1" DIAMETER.
3. WHEN MORE THAN ONE LOG IS REQUIRED TO SPAN THE DITCH, BUTT LOGS TIGHTLY TOGETHER END TO END AND FASTEN TOGETHER WITH A MINIMUM OF EIGHT EQUALLY SPACED ZIP STRIP NYLON FASTENERS.
4. ROLLED EXCELSIOR LOG DITCH CHECKS ARE SUPPLIED IN STANDARD 10' LENGTHS AND SHOULD NOT BE CUT.
5. MAINTENANCE SHALL BE PERFORMED AS NEEDED AND SILT SHALL BE REMOVED WHEN IT REACHES 50% OF ROLL HEIGHT.

TEMPORARY DITCH CHECK, ROLLED EXCELSIOR LOG

\\FS-0844\ARK\VAULT\JD-TRANS\07-22\02-207\05-000\CIVIL\040\01 DESIGN\VA TENG\SHEET\081106201.SHT
 R055PF
 10/25/2010 17:05:09

FILE NAME = #FILE#	USER NAME = #USER#	DESIGNED - KPS	REVISED -	STATE OF ILLINOIS DEPARTMENT OF TRANSPORTATION GREEN GARDEN TOWNSHIP 88TH AVENUE (PEOTONE ROAD)	EROSION & SEDIMENT CONTROL DETAILS (1 OF 2)		F.A. RTE. N/A	SECTION 03-07118-00-BR	COUNTY WILL	TOTAL SHEETS 43	SHEET NO. 12	
PLOT SCALE = #SCALE#		DRAWN - PFR	REVISED -		SCALE: N.T.S.	FED. ROAD DIST. NO. ILLINOIS FED. AID PROJECT		CONTRACT NO. 63156				
PLOT DATE = 10-25-2010		CHECKED - TKL	REVISED -									
		DATE - 10/27/10	REVISED -									

TENG TENG & ASSOCIATES, INC.
 ENGINEERS/ARCHITECTS/PLANNERS
 CHICAGO, ILLINOIS