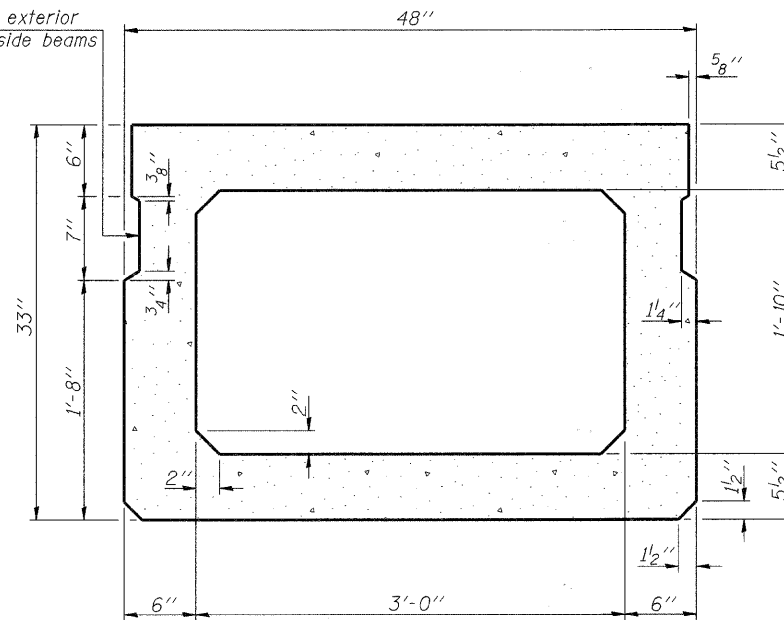
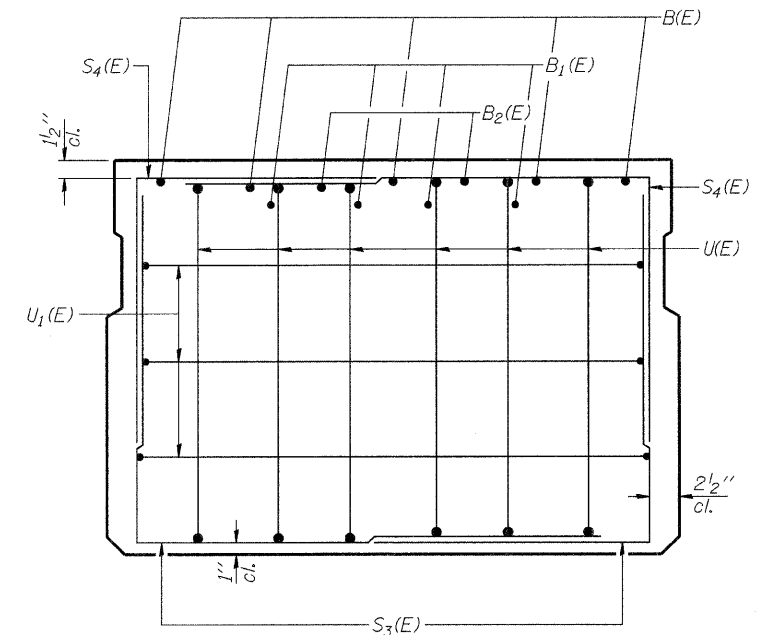


SECTION C-C

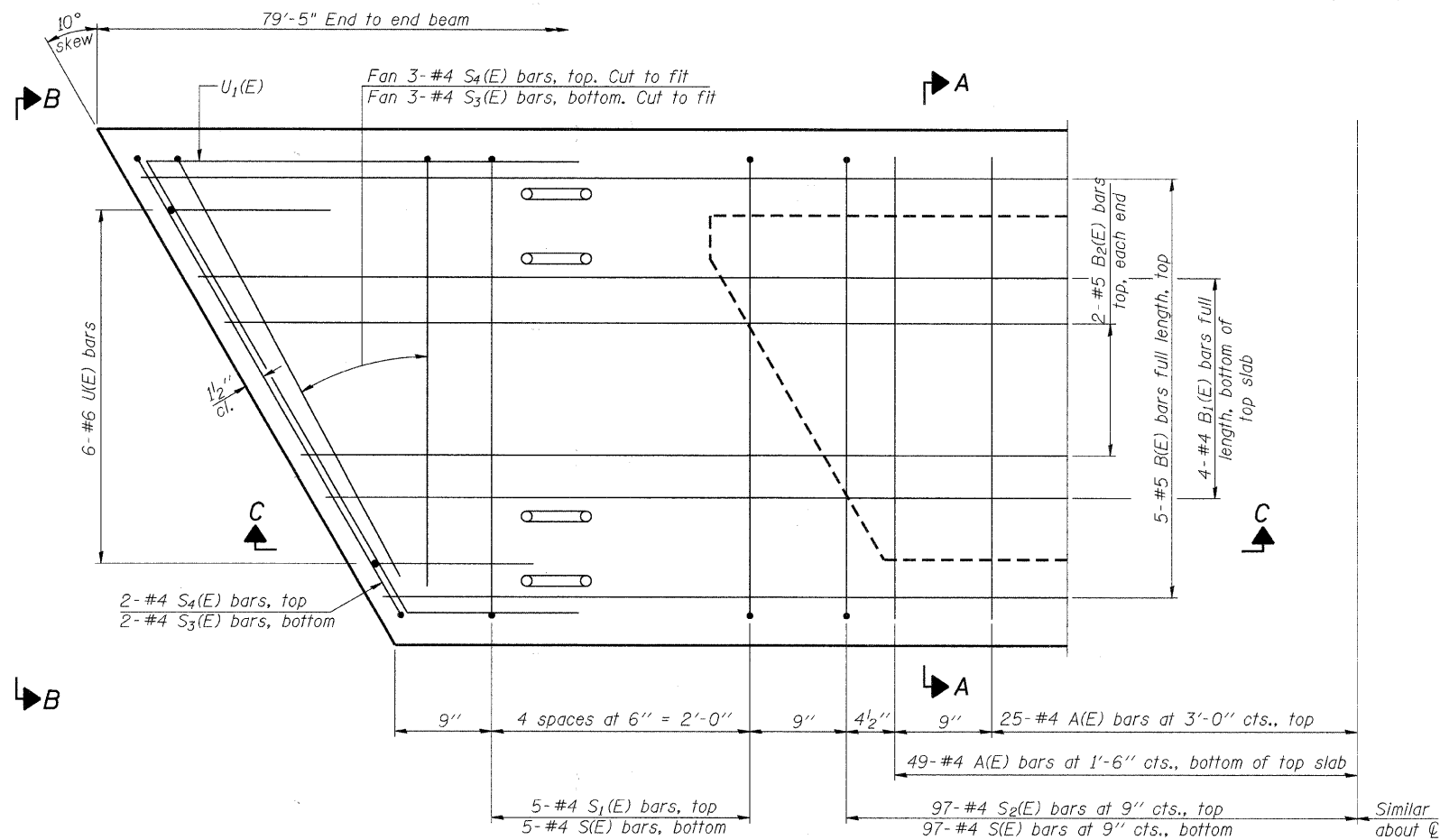
Omit key on exterior face of outside beams



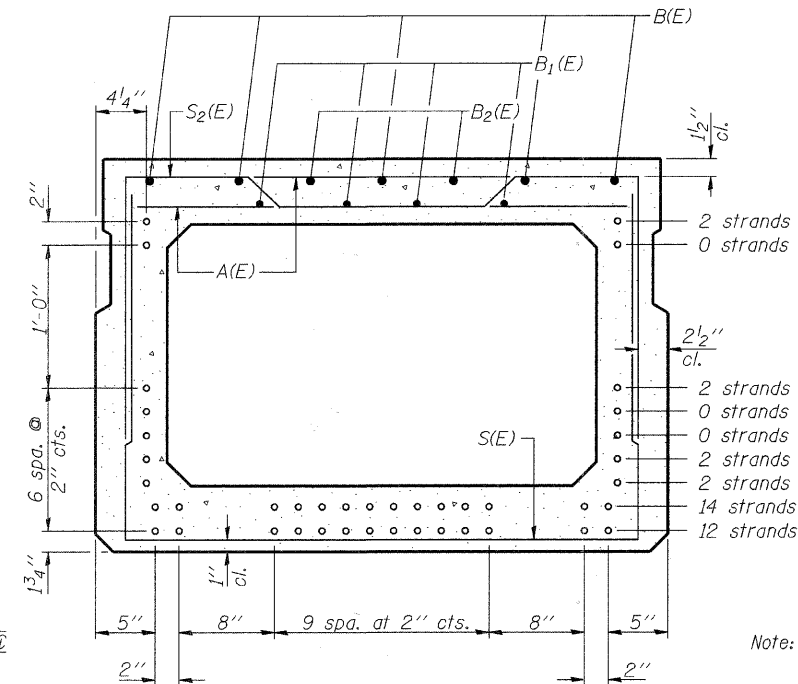
SECTION A-A
(Showing dimensions)



VIEW B-B



PLAN VIEW



SECTION A-A

(Showing reinforcement and permissible strand locations)

Note: Place the number of strands specified in each row symmetrically about the centerline of beam in the permissible strand locations shown.

BAR LIST
ONE BEAM ONLY

(For information only)

Bar	No.	Size	Length	Shape
A(E)	74	#4	3'-7"	—
B(E)	5	#5	79'-1"	—
B1(E)	4	#4	79'-1"	—
B2(E)	4	#5	10'-0"	—
S(E)	107	#4	8'-5"	┌
S1(E)	10	#4	7'-3"	┌
S2(E)	97	#4	7'-6"	┌
S3(E)	8	#4	6'-0"	┌
S4(E)	8	#4	5'-5"	┌
U(E)	12	#6	5'-0"	┌
U1(E)	6	#4	6'-8"	┌

Note: See sheet 18 of 43 for additional details and Bill of Material. See sheet 22 of 43 for details of D(E) bars and Anchor Devices to be cast in exterior face of fascia beams.

Note: Spacing of S(E) and S2(E) bars may be adjusted up to 4" in the immediate area of the transverse tie diaphragms to miss the block outs for the transverse ties.

MINIMUM BAR LAP

#4 bar = 2'-0"
#5 bar = 2'-6"

\\FS-20044\WYVAULT\LD-TRANS-0712202_20745-001\STRUCT\CAD\01 DESIGN\VA TEND\SHEET\0001A201.SHT
 10-25-2010 17:55:25
 TENG & ASSOCIATES, INC. ENGINEERS/ARCHITECTS/PLANNERS CHICAGO, ILLINOIS
 FILE NAME = #FILEL#
 USER NAME = #USER#
 DESIGNED - JFG
 DRAWN - JFG
 CHECKED - KPS
 DATE - 10/27/10
 REVISED -
 REVISED -
 REVISED -
 REVISED -
 PLOT SCALE = #SCALE#
 PLOT DATE = 10-25-2010