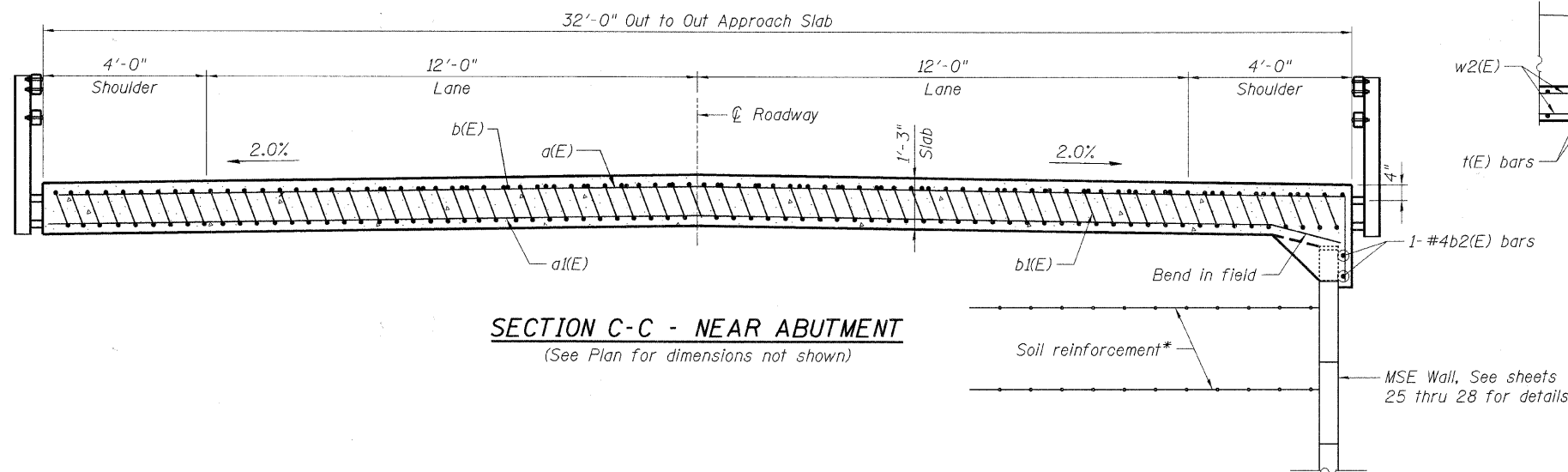


**SECTION B-B**

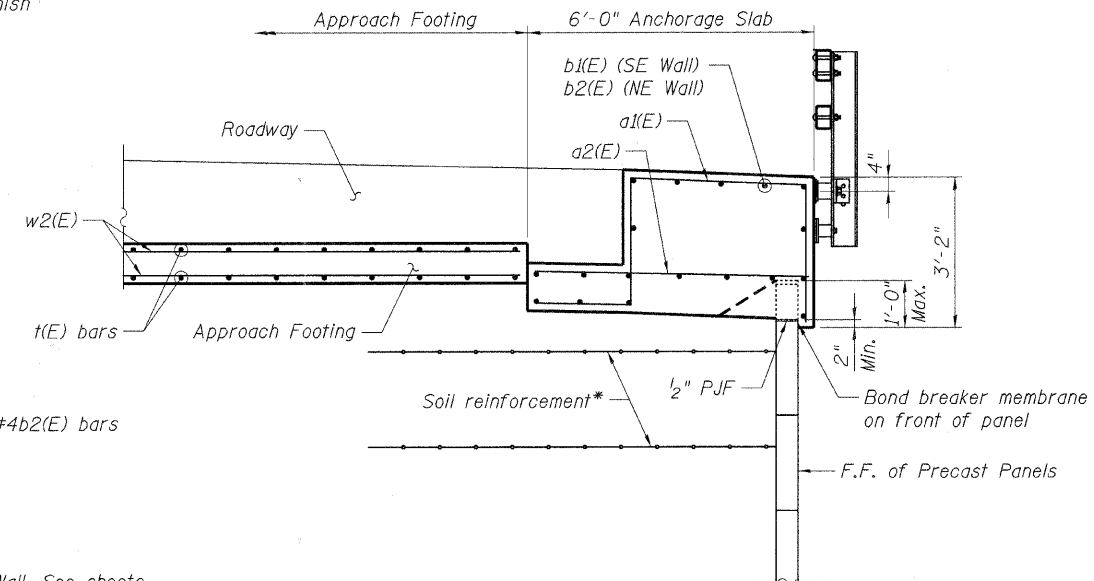
\* Tilt #9 b<sub>1</sub>(E) bars as required to maintain clearance.  
 \*\*\* Cost included with Concrete Superstructure.

**NOTES:**  
 Work this sheet with sheets 25 thru 28.  
 See sheet 20 of 43 for Detail A.  
 Approach slab concrete shall be paid for as Concrete Superstructure.  
 Approach footing concrete shall be paid for as Concrete Structures.  
 Reinforcement shall be paid for as Reinforcement Bars, Epoxy Coated.  
 For v8(E) bar details, see sheet 24 of 43.  
 The approach footing maximum applied service bearing pressure (Q<sub>max</sub>) = 2.0 ksf.  
 For Bar Splicer details, see sheet 30 of 43.  
 Cost of excavation for approach footing included with Concrete Structures.  
 For Porous Granular Embankment (Special) and drainage treatment details, see sheet 24 of 43.  
 For additional railing details see sheets 22 and 23 of 43.

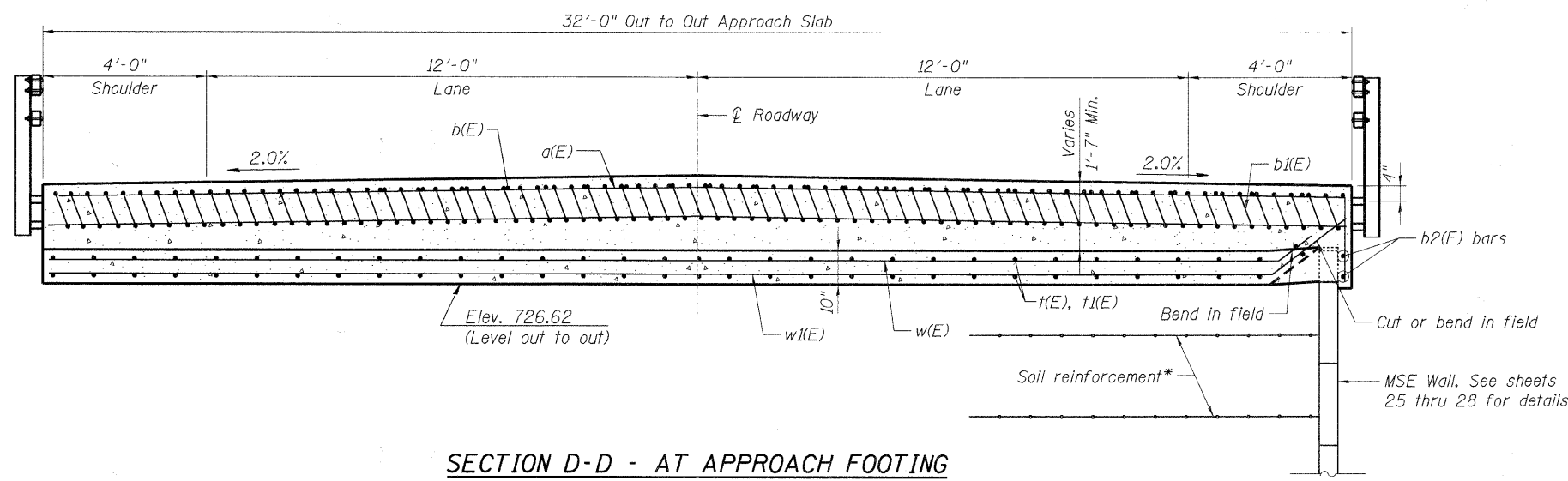


**SECTION C-C - NEAR ABUTMENT**

(See Plan for dimensions not shown)



**SECTION E-E**



**SECTION D-D - AT APPROACH FOOTING**

(See Plan for dimensions not shown)

\S:\FS-8044\AM VALLT.ID\TRANS\_07\2202\20745-001\STRUCT\CAD\01\_DESIGN\A.TENGSHEET\021A2825.DWG  
 10/26/2010 15:53:02  
 ROSSPF  
 TENG & ASSOCIATES, INC.  
 ENGINEERS/ARCHITECTS/PLANNERS  
 CHICAGO, ILLINOIS

FILE NAME =	USER NAME = #USER*	DESIGNED - JFG	REVISED -
#FILE#		DRAWN - JFG	REVISED -
	PLOT SCALE = #SCALE*	CHECKED - KPS	REVISED -
	PLOT DATE = 10-26-2010	DATE = 10/27/10	REVISED -

**STATE OF ILLINOIS  
 DEPARTMENT OF TRANSPORTATION**  
 GREEN GARDEN TOWNSHIP  
 88TH AVENUE (PEOTONE ROAD)

<b>APPROACH SLAB DETAILS II</b>		F.A. RTE.	SECTION	COUNTY	TOTAL SHEETS	SHEET NO.
SCALE: N.T.S.		N/A	03-07118-00-BR	WILL	43	21
		CONTRACT NO. 63156				
		FED. ROAD DIST. NO. [ILLINOIS] FED. AID PROJECT				