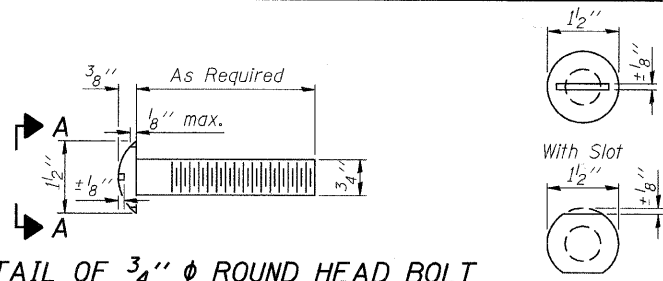
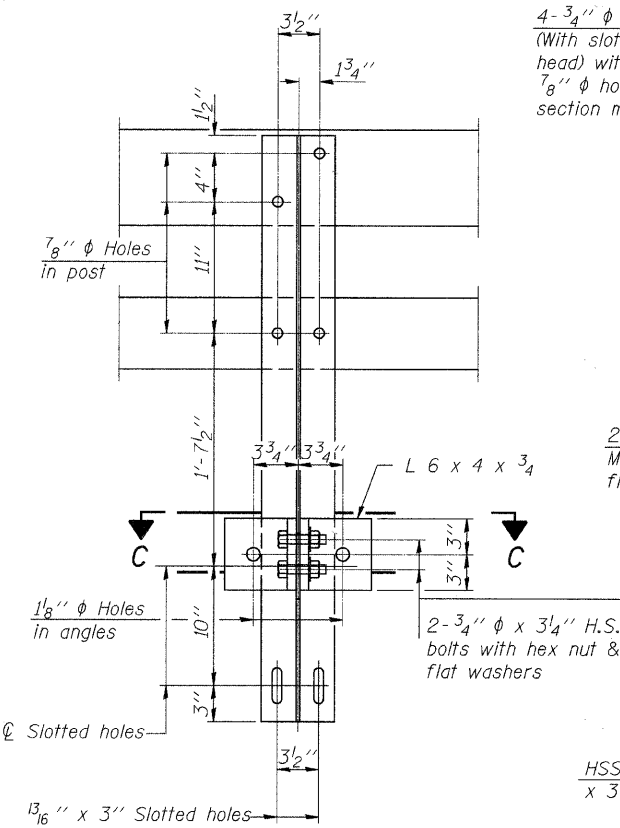


DETAIL OF 3/4" φ ROUND HEAD BOLT



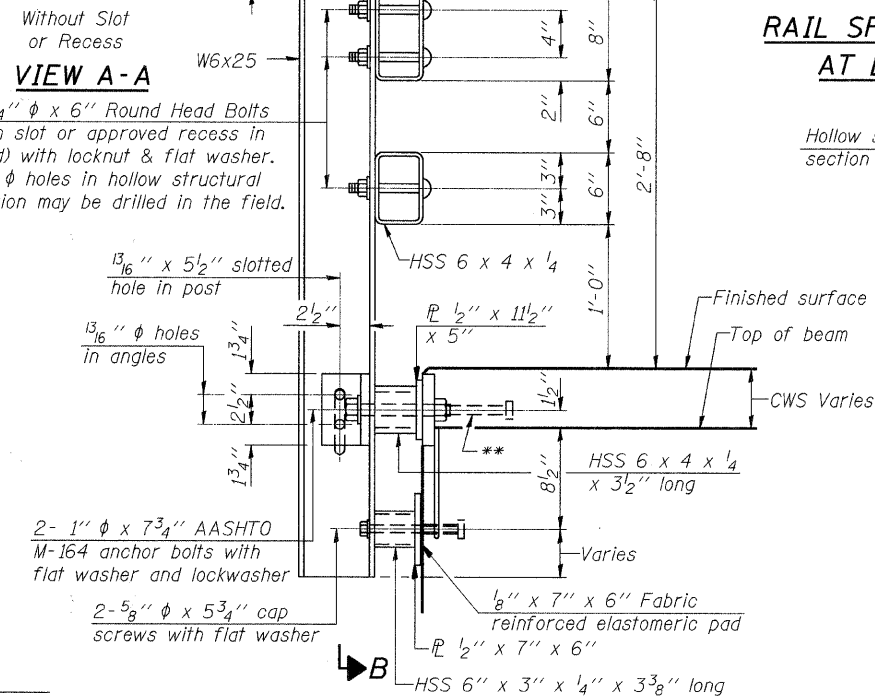
VIEW A-A

4- 3/4" φ x 6" Round Head Bolts (With slot or approved recess in head) with locknut & flat washer. 7/8" φ holes in hollow structural section may be drilled in the field.

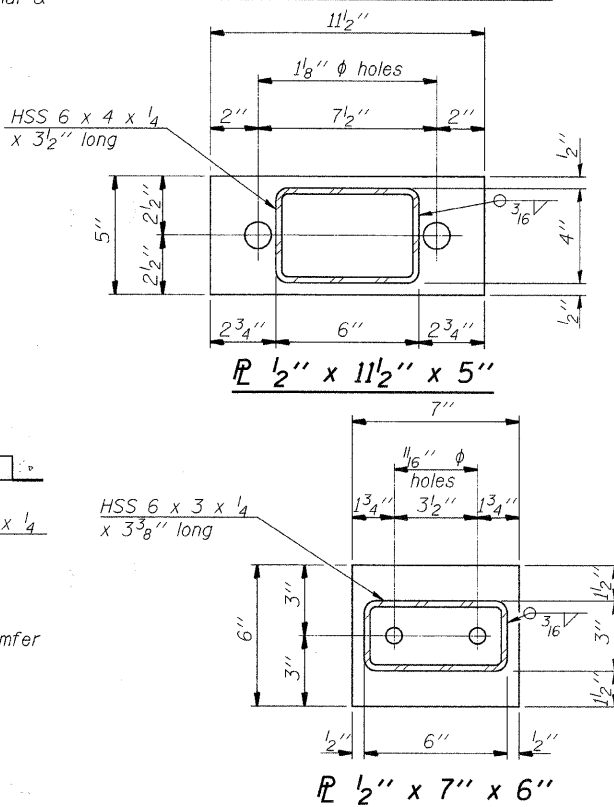


SECTION B-B

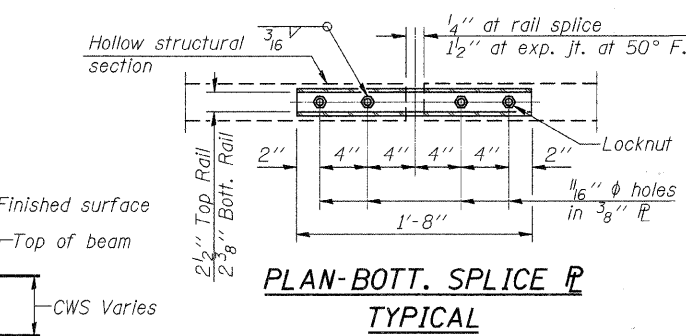
SECTION C-C



SECTION AT RAIL POST

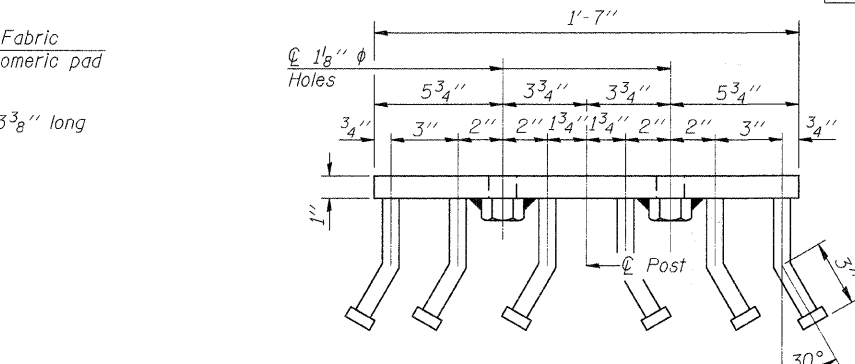


RAIL SPLICE CONNECTION AT EXPANSION JT.

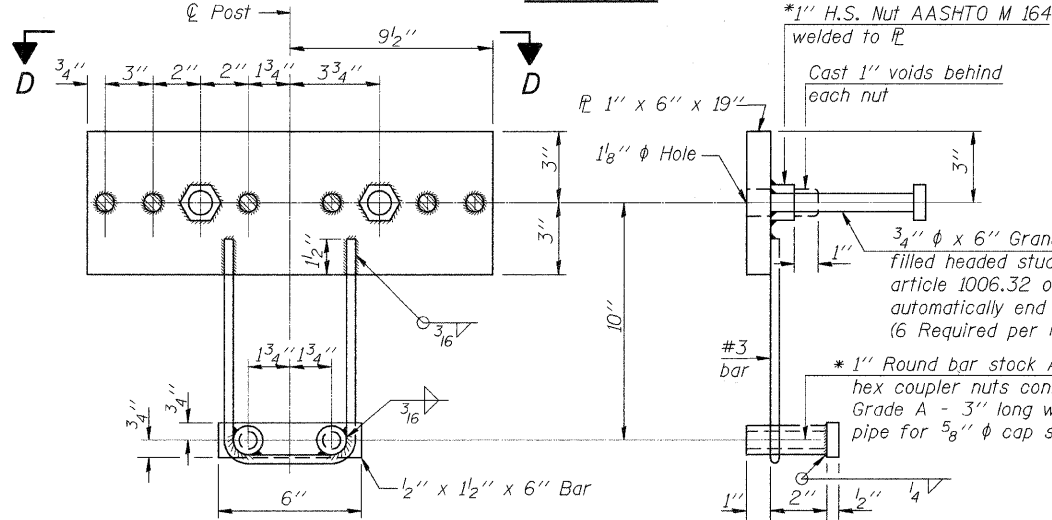


PLAN-BOTT. SPLICE P TYPICAL

5/8" reduced base welded studs. Provide 4 - 5/8" washers and self-locking nuts or nuts and jam nuts for guardrail connection shown on Std. 631032

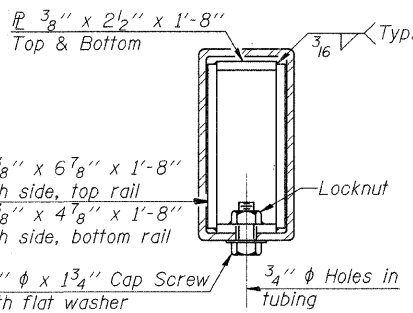


VIEW D-D

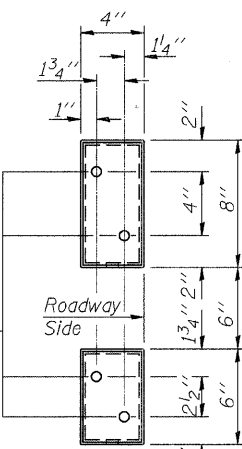


ANCHOR DEVICE

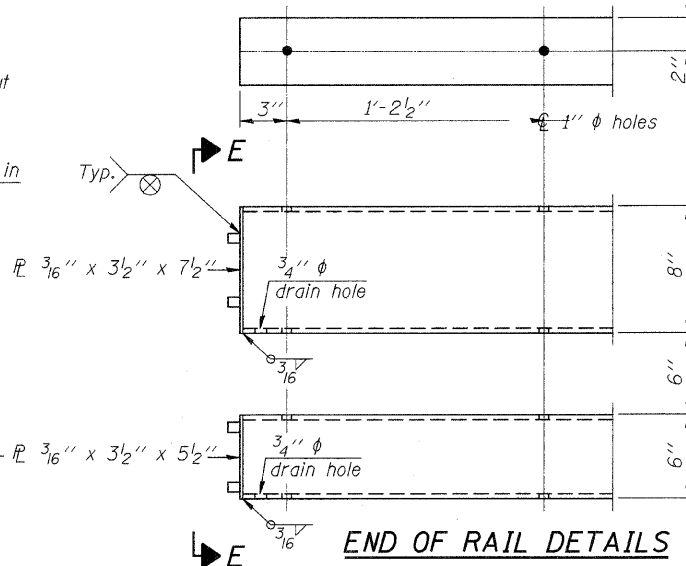
*Threaded areas shall be plugged or blocked off during casting of beam. Galvanized after fabrication.



SECTION AT RAIL SPLICE



VIEW E-E



END OF RAIL DETAILS

Notes:
 All field drilled holes shall be coated with an approved zinc rich paint before erection.
 For multi-span bridges, sufficient 1/4" x 6" x 1'-2" galvanized steel shims shall be provided to align rail between adjacent spans. Cost included with Steel Railing, Type SM.
 Steel rail elements shall be galvanized according to Article 509.05 of the Standard Specifications.
 ** The studs of the anchor devices shall be placed below the top reinforcement bars and the outermost longitudinal reinforcement bar shall be placed directly above the studs of the rail post anchor device. See sheet 21 of 43 for dimension from top of approach slab and top of anchor slab to top studs of anchor device.

R-34CWS

11-1-09

(6'-3" Maximum Post Spacing) (5" minimum to 7 7/8" maximum CWS thickness)

STATE OF ILLINOIS
 DEPARTMENT OF TRANSPORTATION
 GREEN GARDEN TOWNSHIP
 88TH AVENUE (PEOTONE ROAD)

RAILING DETAILS

F.A. RTE.	SECTION	COUNTY	TOTAL SHEETS	SHEET NO.
N/A	03-07118-00-BR	WILL	43	23
CONTRACT NO. 63156				
FED. ROAD DIST. NO. [ILLINOIS] FED. AID PROJECT				

\FS-3044\AKA\VALI.T.D-TRANS.07.2202\20745-001\STRUCT\CAD\01_DESIGN\IA_TENG\SHEET\0101A201.SHT
 \S011A202.DEN.\MS011A201.DCH
 10-25-2010, 17:55:59
 TENG & ASSOCIATES, INC.
 ENGINEERS/ARCHITECTS/PLANNERS
 CHICAGO, ILLINOIS