

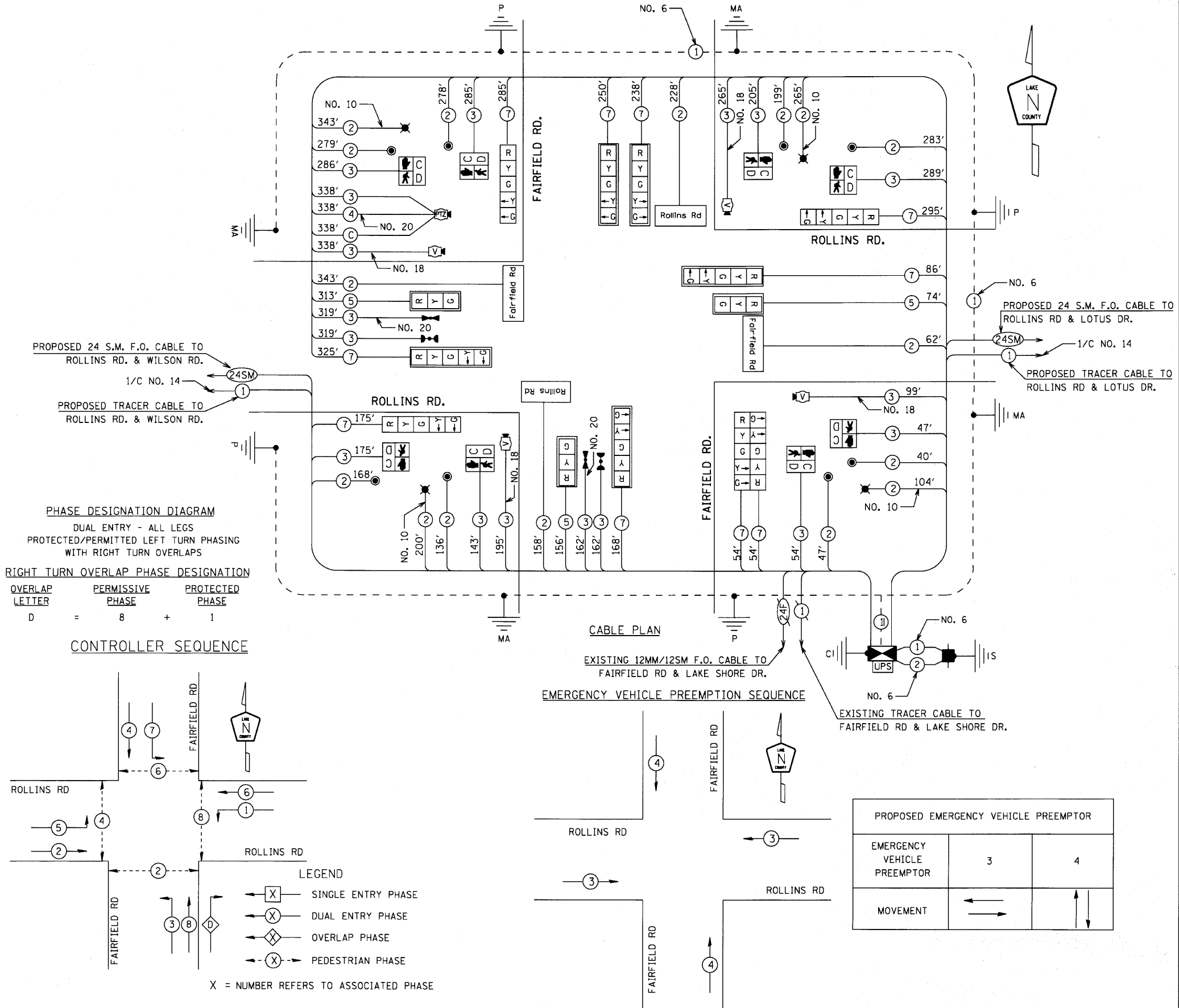
SCHEDULE OF QUANTITIES

ITEM	UNIT	QTY
PORTLAND CEMENT CONCRETE SIDEWALK 5 INCH	SQ FT	755
DETECTABLE WARNINGS	SQ FT	96
SIDEWALK REMOVAL	SQ FT	755
COMBINATION CONCRETE CURB AND GUTTER REMOVAL AND REPLACEMENT	FOOT	212
THERMOPLASTIC PAVEMENT MARKING - LINE 12"	FOOT	790
THERMOPLASTIC PAVEMENT MARKING - LINE 24"	FOOT	282
PAVEMENT MARKING REMOVAL	SQ FT	141
CONDUIT IN TRENCH, 2" DIA., GALVANIZED STEEL	FOOT	235
CONDUIT IN TRENCH, 2 1/2" DIA., GALVANIZED STEEL	FOOT	75
CONDUIT IN TRENCH, 3 1/2" DIA., GALVANIZED STEEL	FOOT	52
CONDUIT IN TRENCH, 4" DIA., GALVANIZED STEEL	FOOT	20
CONDUIT PUSHED, 4" DIA., GALVANIZED STEEL	FOOT	406
HANDHOLE	EACH	2
DOUBLE HANDHOLE	EACH	2
ELECTRIC CABLE IN CONDUIT, 600V (EPR-TYPE RHW) 2-1/C NO. 10	FOOT	867
TRENCH AND BACKFILL FOR ELECTRICAL WORK	FOOT	382
LUMINAIRE, SODIUM VAPOR, HORIZONTAL MOUNT, PHOTO-CELL CONTROL, 250 WATT	EACH	4
FULL-ACTUATED CONTROLLER AND TYPE IV CABINET, SPECIAL	EACH	1
ELECTRIC CABLE IN CONDUIT, SIGNAL NO. 14 2C	FOOT	1979
ELECTRIC CABLE IN CONDUIT, SIGNAL NO. 14 3C	FOOT	2130
ELECTRIC CABLE IN CONDUIT, SIGNAL NO. 14 5C	FOOT	538
ELECTRIC CABLE IN CONDUIT, SIGNAL NO. 14 7C	FOOT	1737
ELECTRIC CABLE IN CONDUIT, SERVICE, NO. 6 2 C	FOOT	69
STEEL COMBINATION MAST ARM ASSEMBLY AND POLE 22 FT. (SPECIAL)	EACH	1
STEEL COMBINATION MAST ARM ASSEMBLY AND POLE 26 FT. (SPECIAL)	EACH	1
STEEL COMBINATION MAST ARM ASSEMBLY AND POLE 34 FT. (SPECIAL)	EACH	2
CONCRETE FOUNDATION, TYPE A	FOOT	16
CONCRETE FOUNDATION, TYPE C	FOOT	4
CONCRETE FOUNDATION, TYPE E 36-INCH DIAMETER	FOOT	60
DRILL EXISTING HANDHOLE	EACH	1
SIGNAL HEAD, LED, 1-FACE, 3-SECTION, MAST-ARM MOUNTED	EACH	3
SIGNAL HEAD, LED, 1-FACE, 5-SECTION, BRACKET MOUNTED	EACH	3
SIGNAL HEAD, LED, 1-FACE, 5-SECTION, MAST-ARM MOUNTED	EACH	5
SIGNAL HEAD, LED, 2-FACE, 5-SECTION, BRACKET MOUNTED	EACH	1
PEDESTRIAN SIGNAL HEAD, LED, 1-FACE, BRACKET MOUNTED WITH COUNTDOWN TIMER	EACH	8
TRAFFIC SIGNAL BACKPLATE, LOUVERED, ALUMINUM	EACH	8
LIGHT DETECTOR	EACH	2
LIGHT DETECTOR AMPLIFIER	EACH	1
PEDESTRIAN PUSH-BUTTON	EACH	8
TEMPORARY TRAFFIC SIGNAL INSTALLATION	EACH	1
REMOVE ELECTRIC CABLE FROM CONDUIT	FOOT	2718
REMOVE EXISTING TRAFFIC SIGNAL EQUIPMENT	EACH	1
REMOVE EXISTING HANDHOLE	EACH	10
REMOVE EXISTING CONCRETE FOUNDATION	EACH	9
SERVICE INSTALLATION - POLE MOUNTED	EACH	1
UNINTERRUPTIBLE POWER SUPPLY	EACH	1
ELECTRIC CABLE IN CONDUIT, GROUNDING, NO. 6 1C	FOOT	523
ELECTRIC CABLE IN CONDUIT, SIGNAL, NO. 20 3/C, TWISTED, SHIELDED	FOOT	484
ELECTRIC CABLE IN CONDUIT, COAXIAL	FOOT	338
VIDEO DETECTION SYSTEM COMPLETE INTERSECTION	EACH	1
TRAFFIC SIGNAL POST, 16 FOOT, (SPECIAL)	EACH	4
LED INTERNALLY ILLUMINATED STREET NAME SIGN	EACH	4
REMOTE CONTROLLED VIDEO SYSTEM	EACH	1
LAYER II (DATALINK) SWITCH	EACH	1
ELECTRIC CABLE IN CONDUIT, NO. 18 3C FOR VIDEO	FOOT	867
VIDEO ENCODER	EACH	1
ELECTRIC CABLE IN CONDUIT, 4/C *20, VIDEO	FOOT	338

TYPE	NO. OF LAMPS	WATTAGE		% OPERATION	TOTAL WATTAGE (LED)
		INCAND.	LED		
SIGNAL	(RED)	13	10	0.50	65
	(YELLOW)	13	19	0.10	24.7
	(GREEN)	13	11	0.40	57.2
ARROW	20		9	0.10	18
PED SIGNAL	8		9	1.00	72
CONTROLLER	1		100	1.00	100
LUMINAIRE	4		250	0.50	500
L.E.D. ST. NAME SIGN	4		64	0.50	128
VIDEO SYSTEM	1		150	1.00	150
BATTERY BACKUP	1		25	1.00	25
TOTAL					1139.90

ENERGY COSTS - BILLED TO: ROUND LAKE HEIGHTS
 (ADDRESS) 619 PONTIAC CT.
 (ADDRESS) ROUND LAKE HEIGHTS, IL

ENERGY SUPPLY - CONTACT: MS. KIM KANGAS
 PHONE: (847) 816-5497
 COMPANY: COMED



USER NAME - JM	DESIGNED - DG	REVISED -
PLOT SCALE = 1 INCH = 20 FEET	DRAWN - JM	REVISED -
PLOT DATE = 10-05-2010	CHECKED - DG	REVISED -
	DATE - 10-05-2010	REVISED -