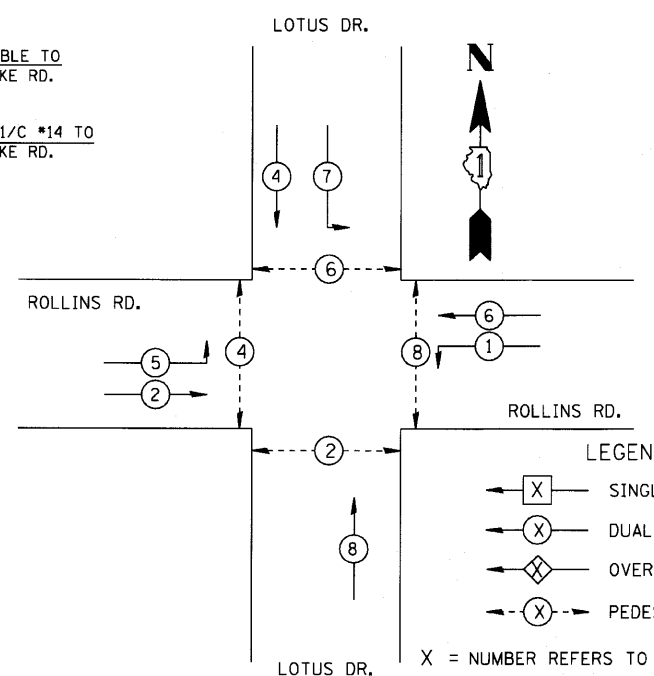
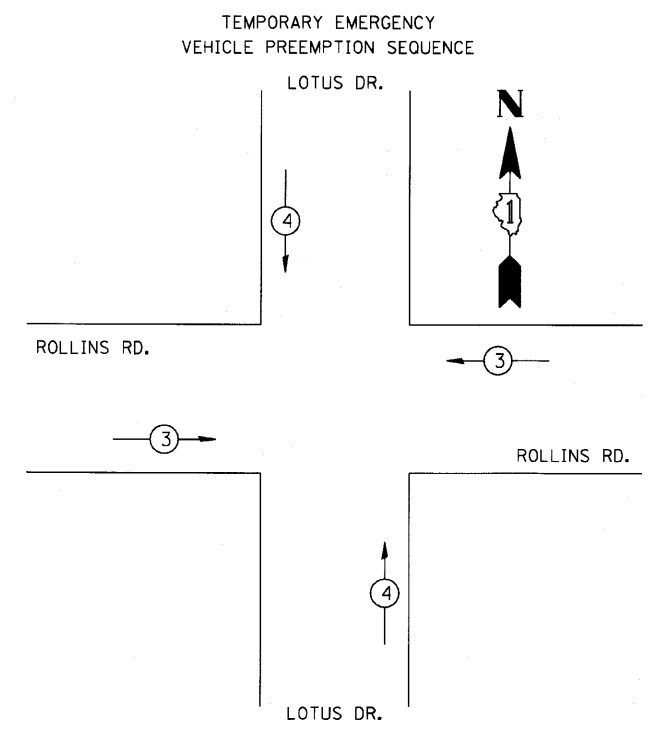


TEMPORARY CONTROLLER SEQUENCE



- LEGEND
- ← X → SINGLE ENTRY PHASE
 - ← (X) → DUAL ENTRY PHASE
 - ← (X) → OVERLAP PHASE
 - ← (X) → PEDESTRIAN PHASE
- X = NUMBER REFERS TO ASSOCIATED PHASE

TEMPORARY PHASE DESIGNATION DIAGRAM



PROPOSED EMERGENCY VEHICLE PREEMPTOR		
EMERGENCY VEHICLE PREEMPTOR	3	4
MOVEMENT	← →	↑ ↓

TYPE	NO. OF LAMPS	WATTAGE		% OPERATION	TOTAL WATTAGE (INCAND.)
		INCAND.	LED		
SIGNAL	(RED)	12	10	0.50	60
	(YELLOW)	12	19	0.10	22.8
	(GREEN)	12	11	0.40	52.8
ARROW	12	9	0.10	10.8	
PED SIGNAL	8	9	1.00	72	
CONTROLLER	1	100	1.00	100	
LUMINAIRE		250	0.50		
L.E.D. ST. NAME SIGN		64	0.50		
VIDEO SYSTEM	1	150	1.00	150	
BATTERY BACKUP		25			
TOTAL					468.40

ENERGY COSTS - BILLED TO: ROUND LAKE HEIGHTS
 (ADDRESS) 619 PONTIAC CT.
 (ADDRESS) ROUND LAKE HEIGHTS, IL

ENERGY SUPPLY - CONTACT: MS. KIM KANGAS
 PHONE: (847) 816-5497
 COMPANY: COMED