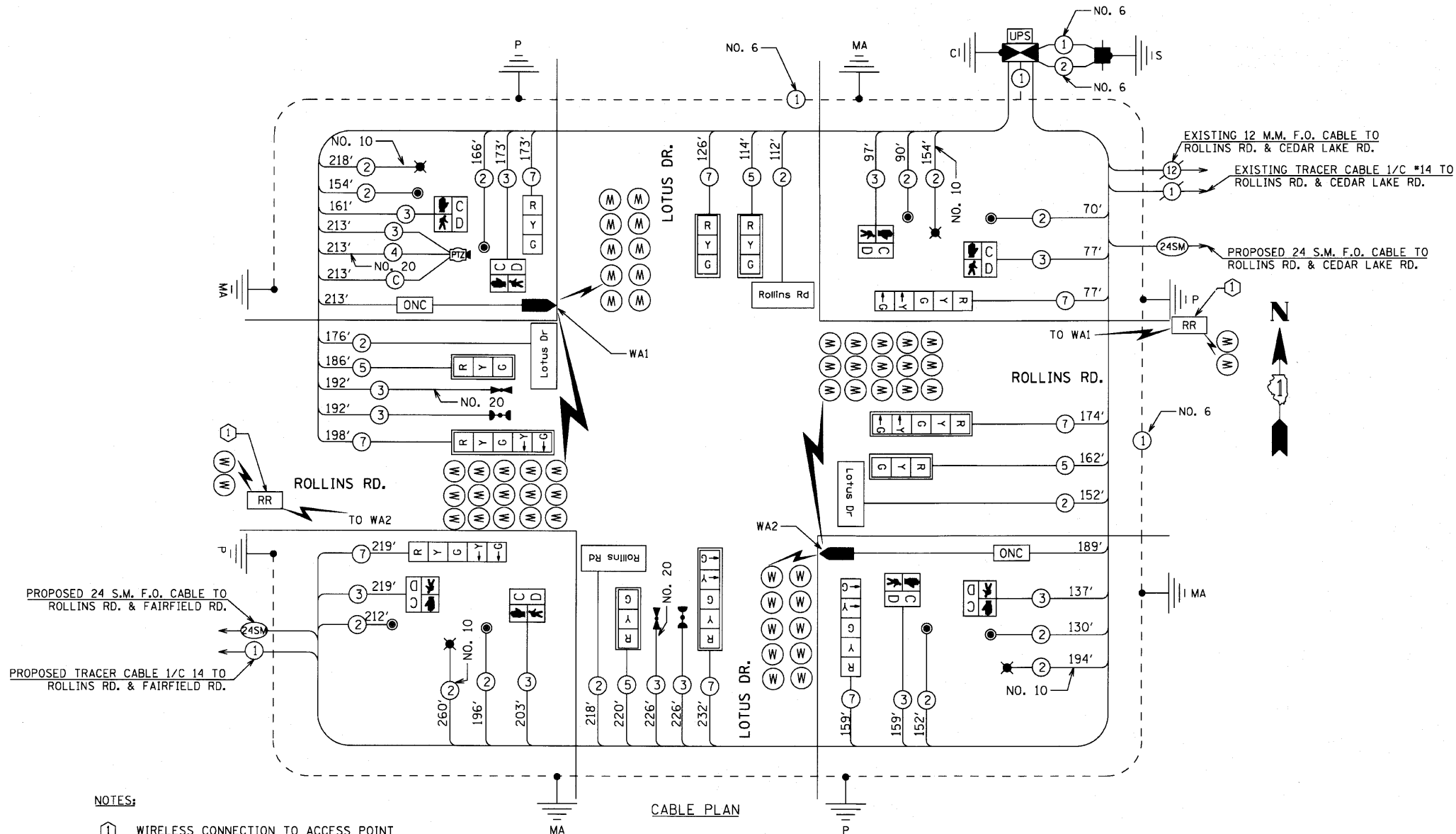


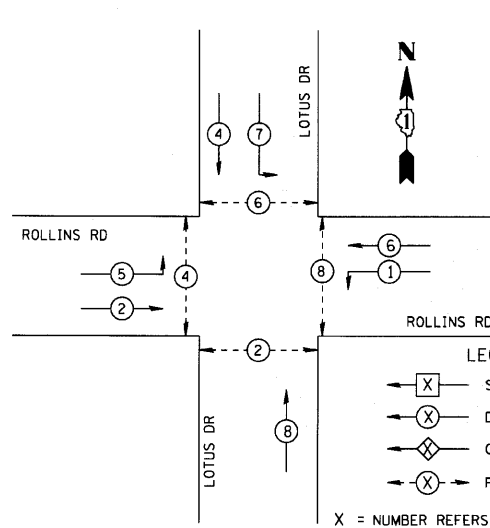
SCHEDULE OF QUANTITIES

ITEM	UNIT	QTY
PORTLAND CEMENT CONCRETE SIDEWALK 5 INCH	SO FT	1171
DETECTABLE WARNINGS	SO FT	96
SIDEWALK REMOVAL	SO FT	473
COMBINATION CONCRETE CURB AND GUTTER REMOVAL AND REPLACEMENT	FOOT	116
THERMOPLASTIC PAVEMENT MARKING - LINE 12"	FOOT	576
THERMOPLASTIC PAVEMENT MARKING - LINE 24"	FOOT	432
PAVEMENT MARKING REMOVAL	SO FT	1008
CONDUIT IN TRENCH, 2" DIA., GALVANIZED STEEL	FOOT	145
CONDUIT IN TRENCH, 2 1/2" DIA., GALVANIZED STEEL	FOOT	106
CONDUIT IN TRENCH, 3 1/2" DIA., GALVANIZED STEEL	FOOT	76
CONDUIT IN TRENCH, 4" DIA., GALVANIZED STEEL	FOOT	71
CONDUIT PUSHED, 4" DIA., GALVANIZED STEEL	FOOT	263
HANDHOLE	EACH	2
DOUBLE HANDHOLE	EACH	2
ELECTRIC CABLE IN CONDUIT, 600V (EPR-TYPE RHW) 2-1/C NO. 10	FOOT	806
TRENCH AND BACKFILL FOR ELECTRICAL WORK	FOOT	398
LUMINAIRE, SODIUM VAPOR, HORIZONTAL MOUNT, PHOTO-CELL CONTROL, 250 WATT	EACH	3
FULL-ACTUATED CONTROLLER AND TYPE IV CABINET, SPECIAL	EACH	1
ELECTRIC CABLE IN CONDUIT, SIGNAL NO. 14 2C	FOOT	1766
ELECTRIC CABLE IN CONDUIT, SIGNAL NO. 14 3C	FOOT	1795
ELECTRIC CABLE IN CONDUIT, SIGNAL NO. 14 5C	FOOT	682
ELECTRIC CABLE IN CONDUIT, SIGNAL NO. 14 7C	FOOT	1320
ELECTRIC CABLE IN CONDUIT, SERVICE, NO. 6 2 C	FOOT	194
STEEL COMBINATION MAST ARM ASSEMBLY AND POLE 24 FT. (SPECIAL)	EACH	2
STEEL COMBINATION MAST ARM ASSEMBLY AND POLE 32 FT. (SPECIAL)	EACH	2
CONCRETE FOUNDATION, TYPE A	FOOT	32
CONCRETE FOUNDATION, TYPE C	FOOT	4
CONCRETE FOUNDATION, TYPE E 36-INCH DIAMETER	FOOT	60
SIGNAL HEAD, LED, 1-FACE, 3-SECTION, MAST-ARM MOUNTED	EACH	5
SIGNAL HEAD, LED, 1-FACE, 3-SECTION, BRACKET MOUNTED	EACH	1
SIGNAL HEAD, LED, 1-FACE, 5-SECTION, BRACKET MOUNTED	EACH	3
SIGNAL HEAD, LED, 1-FACE, 5-SECTION, MAST-ARM MOUNTED	EACH	3
TRAFFIC SIGNAL BACKPLATE, LOUVERED, ALUMINUM	EACH	8
LIGHT DETECTOR	EACH	2
LIGHT DETECTOR AMPLIFIER	EACH	1
PEDESTRIAN PUSH-BUTTON	EACH	8
TEMPORARY TRAFFIC SIGNAL INSTALLATION	EACH	1
REMOVE ELECTRIC CABLE FROM CONDUIT	FOOT	4657
REMOVE EXISTING TRAFFIC SIGNAL EQUIPMENT	EACH	1
REMOVE EXISTING HANDHOLE	EACH	10
REMOVE EXISTING CONCRETE FOUNDATION	EACH	9
SERVICE INSTALLATION - POLE MOUNTED	EACH	1
UNINTERRUPTIBLE POWER SUPPLY	EACH	1
ELECTRIC CABLE IN CONDUIT, GROUNDING, NO. 6 1C	FOOT	551
ELECTRIC CABLE IN CONDUIT, SIGNAL, NO. 20 3/C, TWISTED, SHIELDED	FOOT	426
ELECTRIC CABLE IN CONDUIT, COAXIAL	FOOT	213
TRAFFIC SIGNAL POST, 16 FOOT, (SPECIAL)	EACH	4
TRAFFIC SIGNAL POST, 18 FOOT, (SPECIAL)	EACH	2
LED INTERNALLY ILLUMINATED STREET NAME SIGN	EACH	4
REMOTE CONTROLLED VIDEO SYSTEM	EACH	1
LAYER II (DATALINK) SWITCH	EACH	1
WIRELESS VEHICLE DETECTION SYSTEM	EACH	1
VIDEO ENCODER	EACH	1
OUTDOOR RATED NETWORK CABLE	FOOT	402
ELECTRIC CABLE IN CONDUIT, 4/C #20, VIDEO	FOOT	213

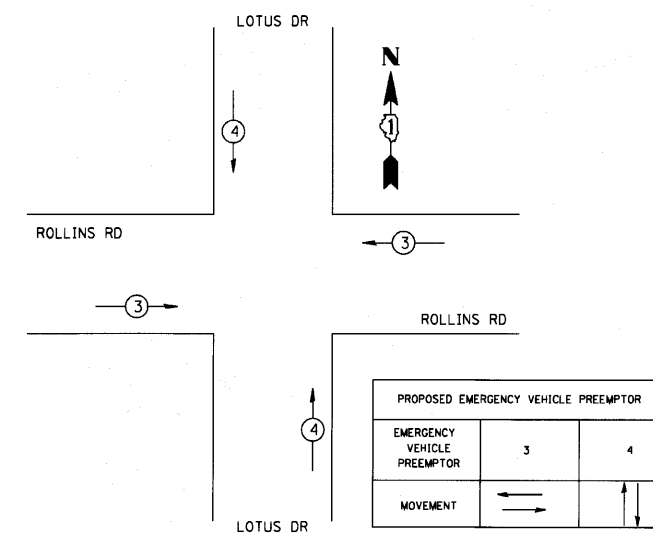


- NOTES:
- ① WIRELESS CONNECTION TO ACCESS POINT
 - ONC - OUTDOOR RATED NETWORK CABLE

CONTROLLER SEQUENCE



EMERGENCY VEHICLE PREEMPTION SEQUENCE



TYPE	NO. OF LAMPS	WATTAGE		% OPERATION	TOTAL WATTAGE (LED)
		INCAND.	LED		
SIGNAL	(RED)	12	10	0.50	60
	(YELLOW)	12	19	0.10	22.8
	(GREEN)	12	11	0.40	52.8
ARROW	12	9	0.10	10.8	
PED SIGNAL	8	9	1.00	72	
CONTROLLER	1	100	1.00	100	
LUMINAIRE	4	250	0.50	500	
L.E.D. ST. NAME SIGN	4	64	0.50	128	
VIDEO SYSTEM	1	150	1.00	150	
BATTERY BACKUP	1	25	1.00	25	
TOTAL					1121.40

ENERGY COSTS - BILLED TO: ROUND LAKE HEIGHTS
 (ADDRESS) 619 PONTIAC CT.
 (ADDRESS) ROUND LAKE HEIGHTS, IL.
 ENERGY SUPPLY - CONTACT: MS. KIM KANGAS
 PHONE: (847) 816-5497
 COMPANY: COMED



USER NAME = JM
 DESIGNED - DG
 DRAWN - JM
 CHECKED - DG
 DATE - 10-05-2010

REVISOR -
 REVISION -
 REVISION -
 REVISION -

STATE OF ILLINOIS
 DEPARTMENT OF TRANSPORTATION

CABLE PLAN AND PHASE DESIGNATION DIAGRAM
 ROLLINS RD. @ LOTUS DR.

ROUTE SECTION SECTION NUMBER SHEET SHEETS
 FAU 181 09-00999-07-TL 26 72
 SCALE: N/A CONTRACT NO. 09472