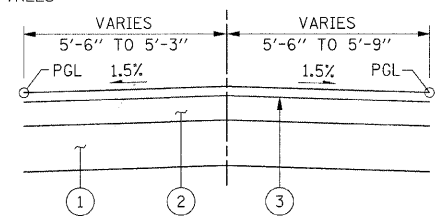
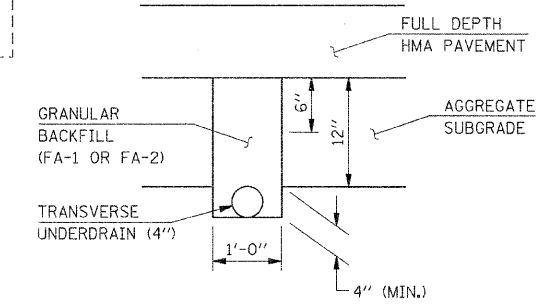


PROPOSED TYPICAL SECTION
STA. 52+98.97 TO STA. 54+05.63



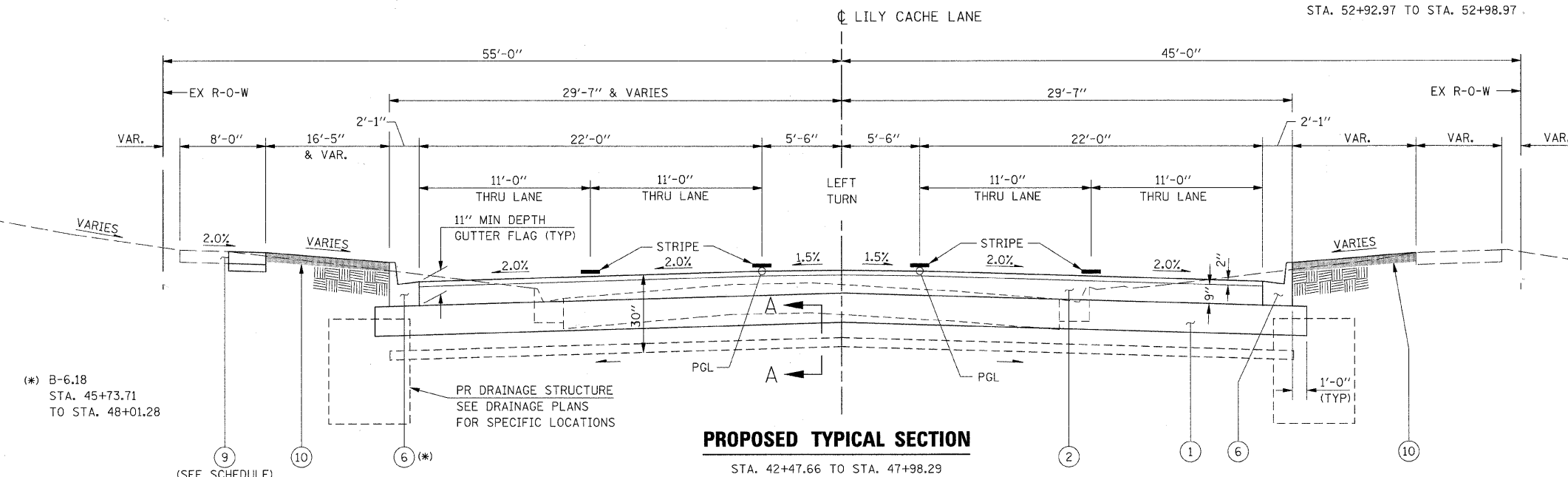
DETAIL "A"
STA. 52+92.97 TO STA. 52+98.97



SECTION A-A
AT TRANSVERSE DRAIN

LEGEND

- ① AGGREGATE SUBGRADE, 12"
- ② HOT-MIX ASPHALT PAVEMENT (FULL-DEPTH), 11"
- ③ HOT-MIX ASPHALT BASE COURSE WIDENING, 9"
- ④ POLYMERIZED LEVELING BINDER (MACHINE METHOD), IL 4.75, N50
- ⑤ HOT-MIX ASPHALT SURFACE COURSE, MIX "D", N70
- ⑥ COMBINATION CONCRETE CURB AND GUTTER, TYPE B-9.18 (REINFORCED)
- ⑦ COMBINATION CONCRETE CURB AND GUTTER, TYPE B-6.18 (REINFORCED)
- ⑧ COMBINATION CONCRETE CURB AND GUTTER, TYPE B-9.12 (DRY) (REINFORCED)
- ⑨ PCC SIDEWALK 5" w/ 3" CA-7 BEDDING
- ⑩ TOPSOIL EXCAVATION AND PLACEMENT (4" MIN)
- ⑪ HOT-MIX ASPHALT SURFACE REMOVAL, VARIABLE DEPTH
- ⑫ TOPSOIL PLACEMENT, VARIABLE DEPTH



PROPOSED TYPICAL SECTION
STA. 42+47.66 TO STA. 47+98.29

(*) B-6.18
STA. 45+73.71
TO STA. 48+01.28

FILE NAME = G:\SP\9021\CADD_Sheets\9021TS04.dgn	USER NAME = IE Consultants	DESIGNED -	REVISED -	STATE OF ILLINOIS DEPARTMENT OF TRANSPORTATION	LILY CACHE LANE PROPOSED TYPICAL SECTIONS			F.A.U.	SECTION	COUNTY	TOTAL SHEETS	SHEET NO.
	PLOT SCALE = 10.0000' / IN.	DRAWN -	REVISED -		SCALE:	SHEET NO.	OF SHEETS	STA.	TO STA.	1578	06-00046-01-PV	WILL
PLOT DATE = 10/22/2010	CHECKED -	DATE -	REVISED -				CONTRACT NO. 63503			ILLINOIS FED. AID PROJECT		