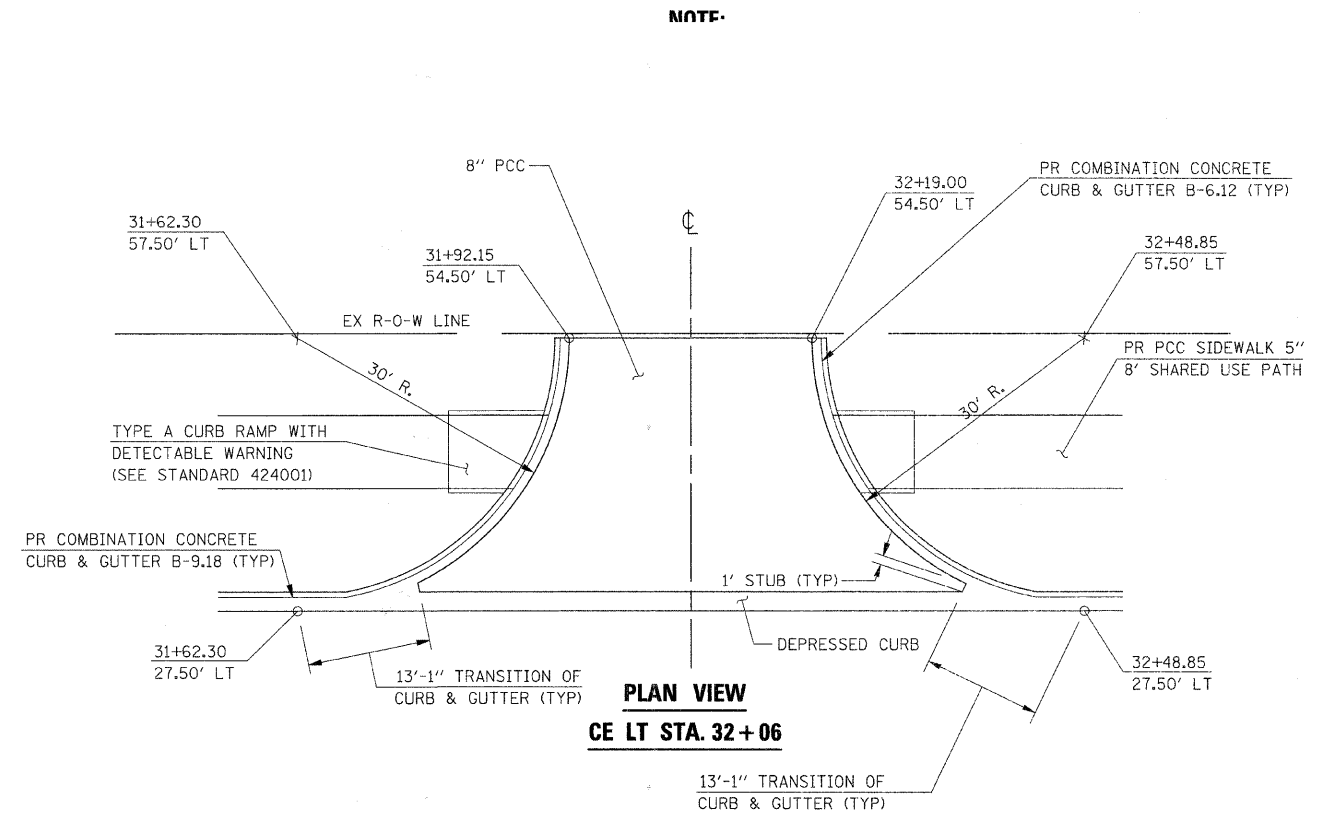
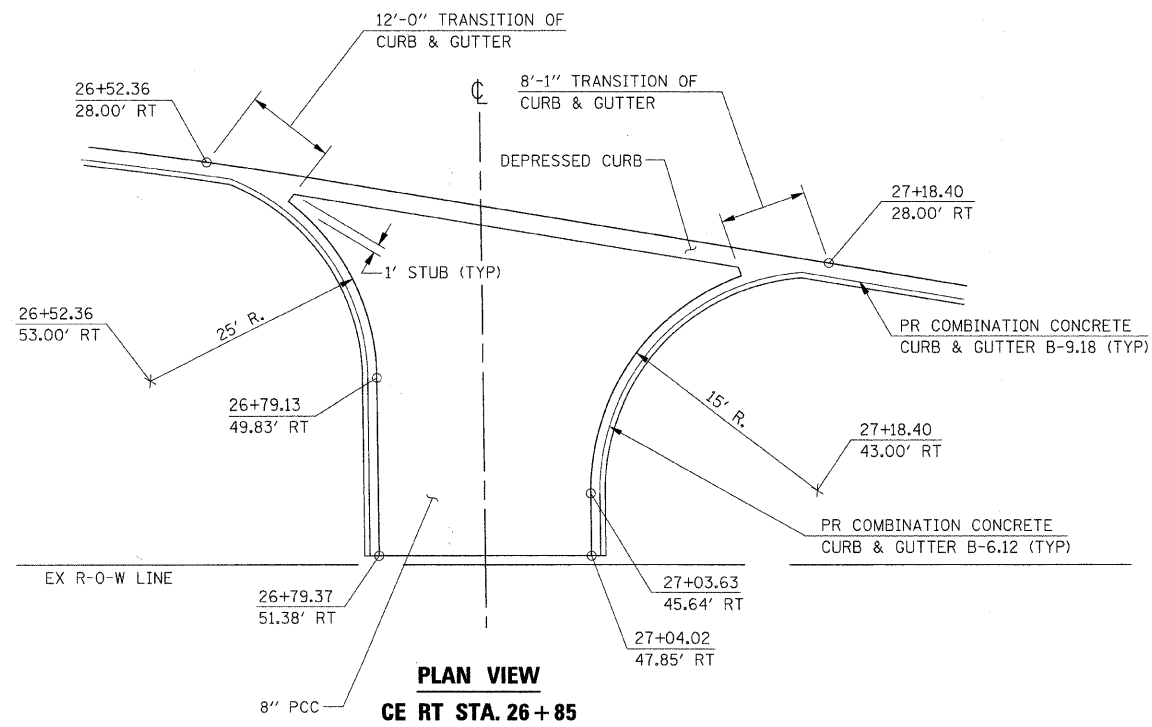


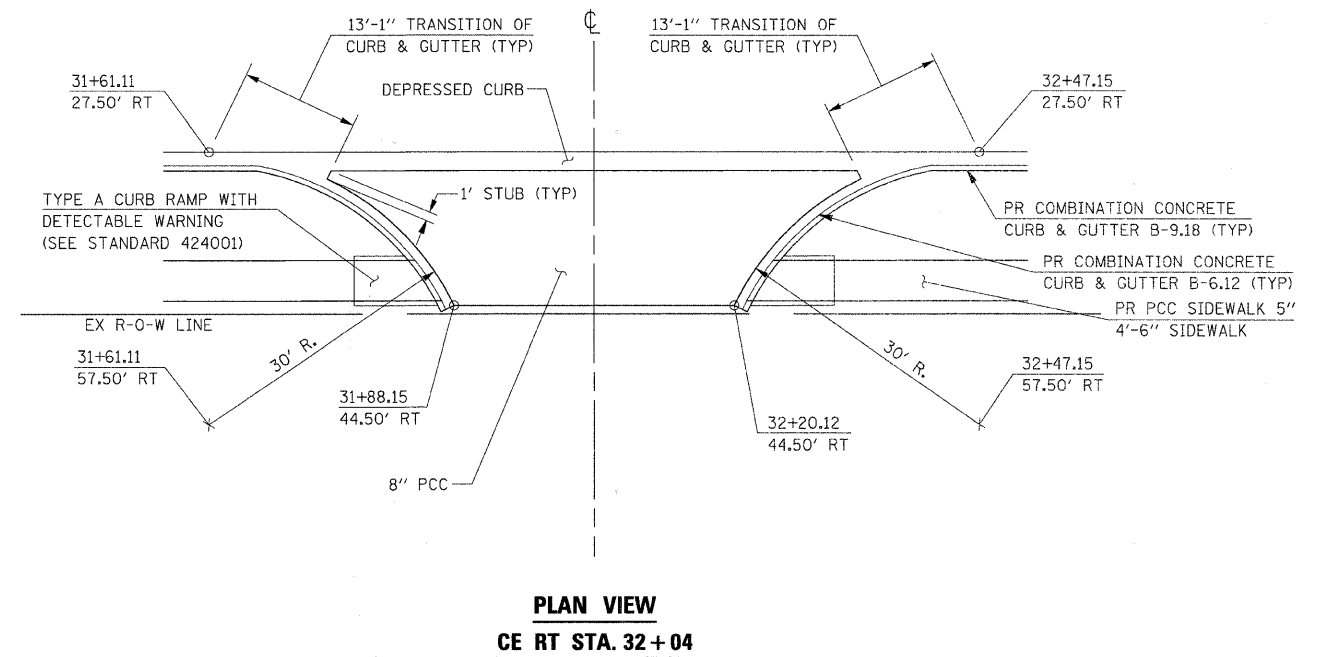
**PLAN VIEW**  
**CE LT STA. 25+35**



**PLAN VIEW**  
**CE LT STA. 32+06**



**PLAN VIEW**  
**CE RT STA. 26+85**



**PLAN VIEW**  
**CE RT STA. 32+04**

FILE NAME =	USER NAME = IE Consultants	DESIGNED -	REVISED -
G:\S09021\CADD_Sheets\9021EDET01.dgn		DRAWN -	REVISED -
		CHECKED -	REVISED -
		DATE -	REVISED -

**STATE OF ILLINOIS**  
**DEPARTMENT OF TRANSPORTATION**

**ENTRANCE DETAILS**

SCALE: 1" = 10' SHEET NO. OF SHEETS STA. TO STA.

F.A.U.	SECTION	COUNTY	TOTAL SHEETS	SHEET NO.
1578	06-00046-01-PV	WILL	244	175
			CONTRACT NO. 63503	
ILLINOIS FED. AID PROJECT				