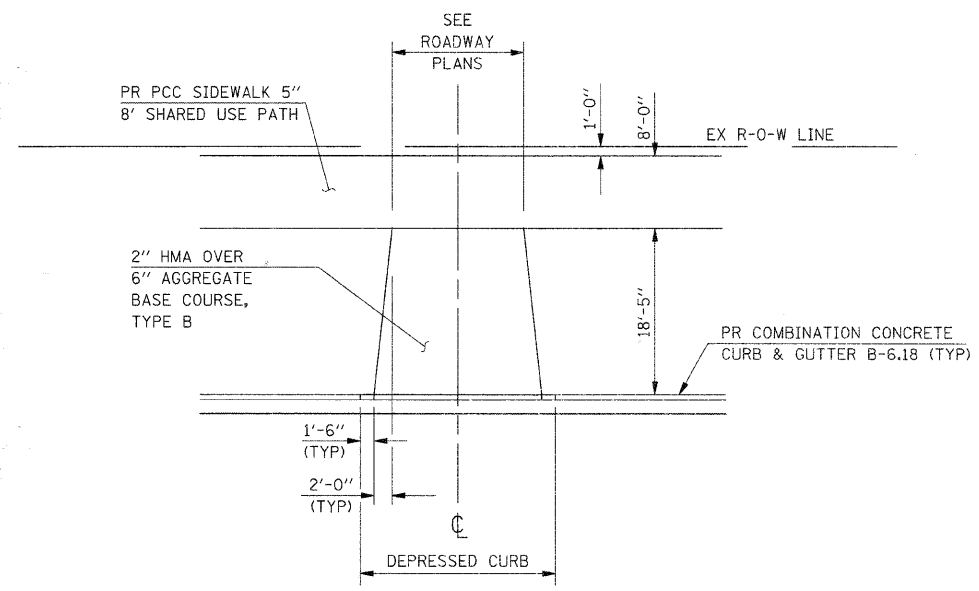


PLAN VIEW
CE RT STA. 53+24



TYPICAL PRIVATE
ENTRANCE DETAIL

- NOTES:**
1. SEE CROSS SECTIONS FOR PAVEMENT GRADE.
 2. REPLACE SURFACE IN KIND BEYOND LIMITS OF PROPOSED CONCRETE SHARED USE PATH AS NEEDED WITHIN R-O-W OR EASEMENT LIMITS.

FILE NAME =	USER NAME = IE Consultants	DESIGNED -	REVISED -
G:\509021\CADD_Sheets\9021EDET03.dgn		DRAWN -	REVISED -
		CHECKED -	REVISED -
		DATE -	REVISED -
PLOT SCALE = 1/8"=1'-0" (1/8" = 1/8" / IN.)			
PLOT DATE = 10/22/2010			

STATE OF ILLINOIS
DEPARTMENT OF TRANSPORTATION

ENTRANCE DETAILS

SCALE:	SHEET NO. OF SHEETS	STA. TO STA.
--------	---------------------	--------------

F.A.I.	SECTION	COUNTY	TOTAL SHEETS	SHEET NO.
1578	06-00046-01-PV	WILL	244	177
CONTRACT NO. 63503			ILLINOIS FED. AID PROJECT	