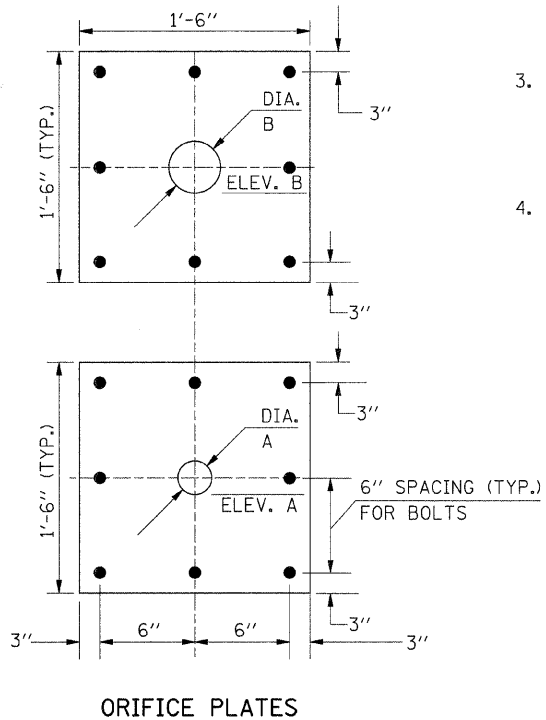


**MANHOLES, WITH RESTRICTOR PLATE
(OUTLET STRUCTURE)**

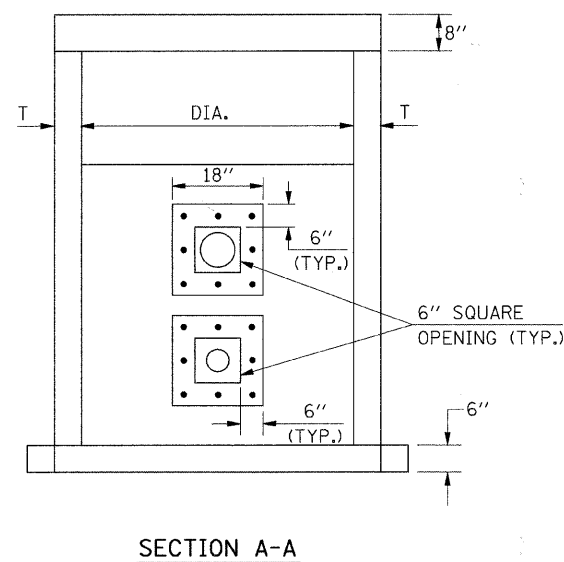


THE THICKNESS OF THE GALVANIZED STEEL PLATES SHALL BE $\frac{3}{8}$ ". $\frac{5}{8}$ " x 12" GALVANIZED STEEL BOLTS, NUTS AND WASHERS SHALL BE USED.

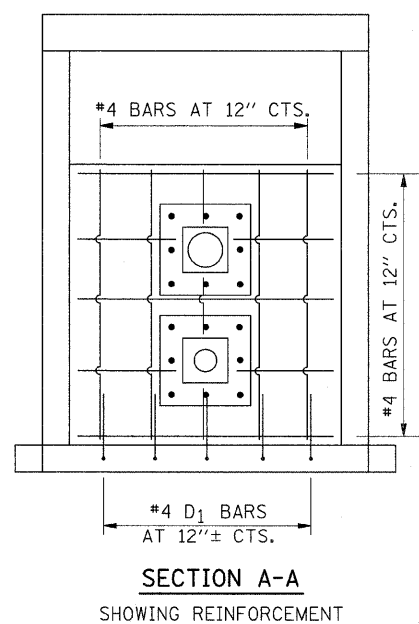
1. ALL FRAMES, GRATES AND COVERS SHALL CONFORM TO THE REQUIREMENTS OF THE STANDARD SPECIFICATION FOR GRAY IRON CASTINGS, OR FOR DUCTILE IRON CASTINGS.
2. THE CONTRACT UNIT PRICE PER EACH FOR MANHOLES, WITH RESTRICTOR PLATE, SHALL INCLUDE ALL EXCAVATION, BACKFILL, CONCRETE, REINFORCEMENT, FRAMES, GRATES, ORIFICE PLATES, STEPS, AND INCIDENTALS REQUIRED FOR CONSTRUCTION.
3. PRECAST CONCRETE UNITS FOR MANHOLES, WITH RESTRICTOR PLATE WILL BE ACCEPTABLE PROVIDING THEY MEET ALL THE REQUIREMENTS SHOWN ON THIS DRAWING. BASE EXTENSION OF 6" NOT REQUIRED FOR PRECAST UNITS. FABRICATION DRAWING SHOWING PIPE OPENINGS AND OTHER PERTINENT DIMENSIONS WILL BE REQUIRED FOR EACH UNIT.
4. CONCRETE MASONRY UNIT SHALL BE A CYLINDER OF THE REQUIRED RADIUS.

STRUCT. STA.	DIA.	ANGLE	ELEV. A	ELEV. B	ELEV. C	DIA. A	DIA. B
30+20	6'	110°	655.75	657.50	659.75	1.25"	2.25"
35+50	6'	110°	659.45	661.60	665.50	1.18"	1.93"
43+05	6'	110°	664.55	666.50	670.00	1.21"	2.00"
79+93.5	6'	50°	658.00	659.50	662.00	0.53"	0.90"

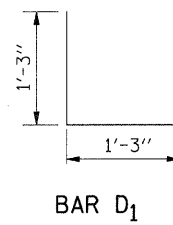
NOTE: PAID FOR AS "MANHOLES, WITH RESTRICTOR PLATE".



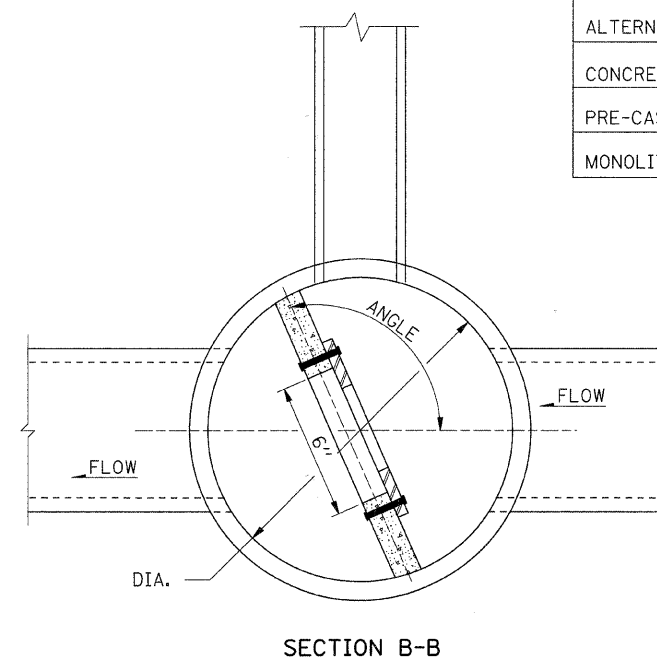
SECTION A-A



**SECTION A-A
SHOWING REINFORCEMENT**



BAR D1



SECTION B-B

ALTERNATE MATERIALS FOR WALLS	T (MIN.)
CONCRETE MASONRY UNITS	5"
PRE-CAST REINFORCED CONCRETE RISERS	5"
MONOLITHIC CONCRETE	6"