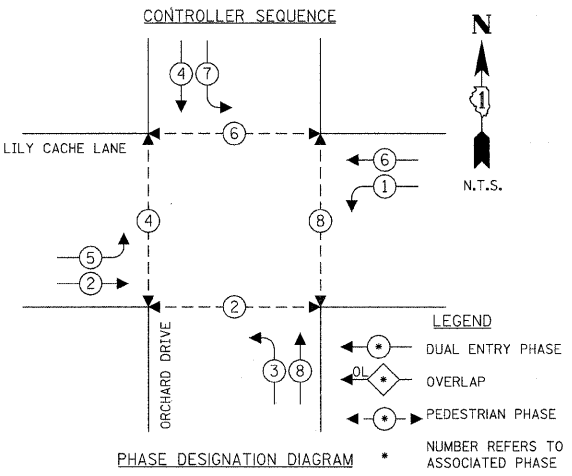


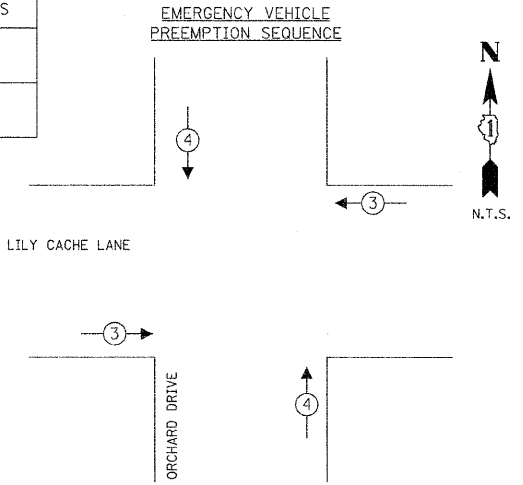
**CABLE PLAN LEGEND**

EXISTING	PROPOSED	DESCRIPTION
[G]	[G]	12" TRAFFIC SIGNAL SECTION
[R]	[R]	12" TRAFFIC SIGNAL SECTION
[W]	[W]	12" PEDESTRIAN SIGNAL SECTION
[P]	[P]	12" PEDESTRIAN SIGNAL SECTION
[C]	[C]	CONTROLLER CABINET
[S]	[S]	SERVICE INSTALLATION
[T]	[T]	TELEPHONE INSTALLATION
[V]	[V]	VEHICLE DETECTOR, INDUCTION LOOP
[V]	[V]	VIDEO DETECTION (AUTOSCOPE OR APPROVED EQUIVALENT)
[E]	[E]	EMERGENCY VEHICLE LIGHT DETECTOR
[B]	[B]	CONFIRMATION BEACON
[D]	[D]	PUSHBUTTON DETECTOR
(2)	(2)	DENOTES NUMBER OF CONDUCTORS. ALL CABLE NO. 14 EXCEPT AS INDICATED. ALL LOOP DETECTOR CABLE TO BE SHIELDED
(1)	(1)	GROUND CABLE IN CONDUIT NO. 6 SOLID COPPER (GREEN)
(C)	(C)	COAXIAL CABLE
(12)	(12)	FIBER OPTIC CABLE IN CONDUIT NO. 62.5/125 12F
[R Y G]	[R Y G]	SIGNAL FACE WITH BACKPLATE. "P" INDICATES PROGRAMMED HEAD
[H]	[H]	GROUND ROD AT HANDHOLE (H)
[IH]	[IH]	DOUBLE HANDHOLE (IH), OR CONTROLLER (C)
[P]	[P]	GROUND ROD AT POST (P) OR MAST ARM POLE (MA)
[S]	[S]	GROUND ROD AT ELECTRIC SERVICE INSTALLATION
[L]	[L]	LUMINAIRE, 250 WATT
[IL]	[IL]	ILLUMINATED STREET SIGN
[A]	[A]	ANTENNA



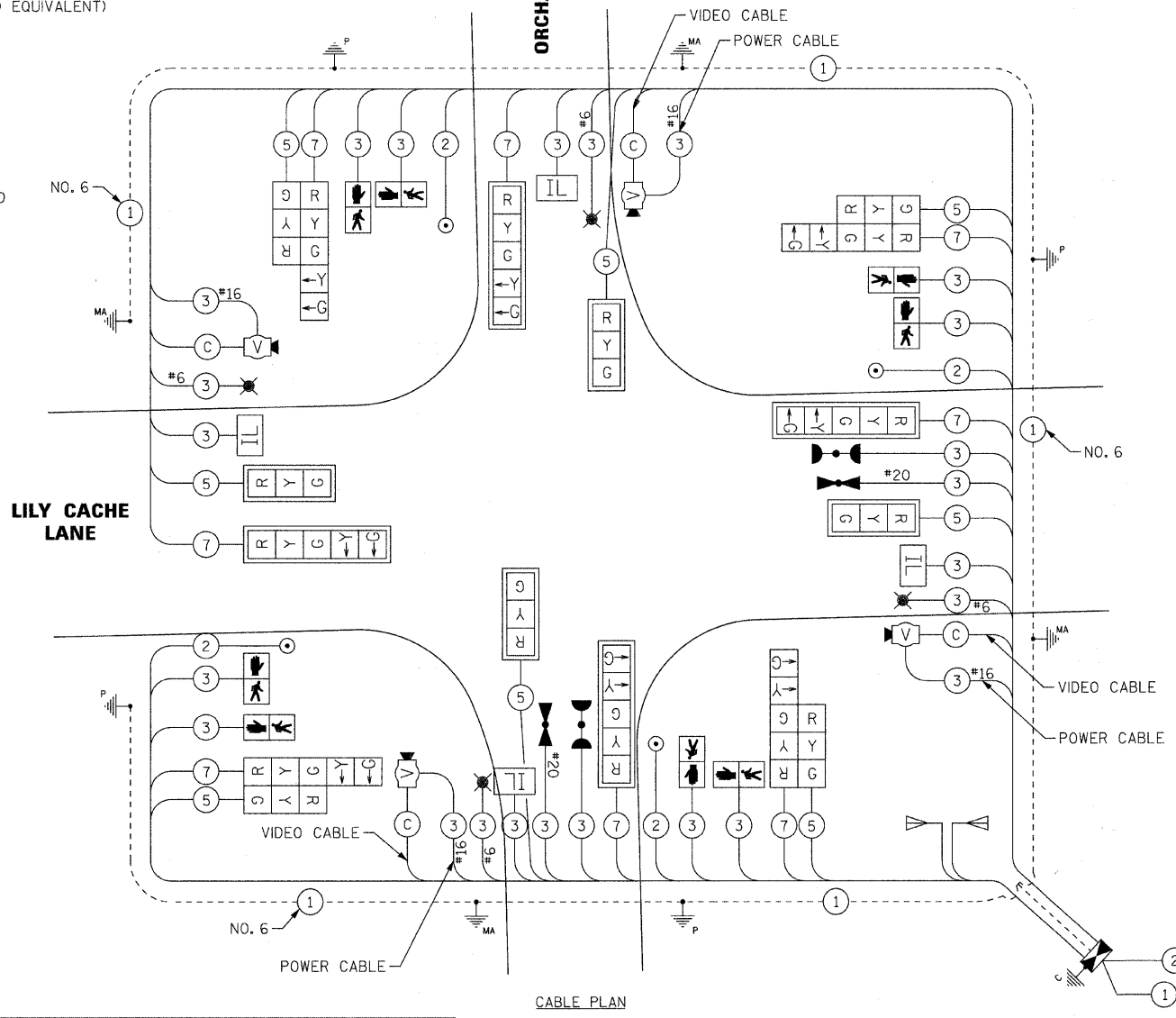
**PROPOSED EMERGENCY VEHICLE PREEMPTORS**

EMERGENCY VEHICLE PREEMPTOR	3	4	5
MOVEMENT	← →	↓ ↑	



**BILL OF MATERIALS**

PAY ITEM NO.	ITEM	UNIT	TOTAL
72000100	SIGN PANEL-TYPE 1	FOOT	6
81000700	CONDUIT IN TRENCH, 2 1/2" DIA., GALVANIZED STEEL	FOOT	90
81000800	CONDUIT IN TRENCH, 3" DIA., GALVANIZED STEEL	FOOT	28
81001000	CONDUIT IN TRENCH, 4" DIA., GALVANIZED STEEL	FOOT	10
81018900	CONDUIT PUSHED, 4" DIA., GALVANIZED STEEL	FOOT	235
81400700	HANDHOLE, PORTLAND CEMENT CONCRETE	EACH	3
81400720	DOUBLE HANDHOLE, PORTLAND CEMENT CONCRETE	EACH	1
81702415	ELECTRIC CABLE IN CONDUIT, 600V (XLP-TYPE USE) 3-1C NO. 6	FOOT	697
81900200	TRENCH AND BACKFILL FOR ELECTRICAL WORK	FOOT	154
82102250	LUMINAIRE, SODIUM VAPOR, HORIZONTAL MOUNT, 250 WATT	EACH	4
85700300	FULL-ACTUATED CONTROLLER AND TYPE V CABINET	EACH	1
87301215	ELECTRIC CABLE IN CONDUIT, SIGNAL NO. 14 2C	FOOT	1,126
87301225	ELECTRIC CABLE IN CONDUIT, SIGNAL NO. 14 3C	FOOT	2,302
87301245	ELECTRIC CABLE IN CONDUIT, SIGNAL NO. 14 5C	FOOT	1,234
87301255	ELECTRIC CABLE IN CONDUIT, SIGNAL NO. 14 7C	FOOT	1,267
87301805	ELECTRIC CABLE IN CONDUIT, SERVICE, NO. 6 2C	FOOT	100
87502500	TRAFFIC SIGNAL POST, GALVANIZED STEEL 16 FT.	EACH	4
87702830	STEEL COMBINATION MAST ARM ASSEMBLY AND POLE 20 FT.	EACH	1
87702840	STEEL COMBINATION MAST ARM ASSEMBLY AND POLE 22 FT.	EACH	1
87702880	STEEL COMBINATION MAST ARM ASSEMBLY AND POLE 30 FT.	EACH	1
87702890	STEEL COMBINATION MAST ARM ASSEMBLY AND POLE 32 FT.	EACH	1
87800100	CONCRETE FOUNDATION, TYPE A	FOOT	16
87800150	CONCRETE FOUNDATION, TYPE C	FOOT	4
87800400	CONCRETE FOUNDATION, TYPE E 30-INCH DIAMETER	FOOT	48
88040090	SIGNAL HEAD, POLYCARBONATE, LED, 1-FACE, 3-SECTION, MAST ARM MOUNTED	EACH	4
88040160	SIGNAL HEAD, POLYCARBONATE, LED, 1-FACE, 5-SECTION, MAST ARM MOUNTED	EACH	4
88040260	SIGNAL HEAD, POLYCARBONATE, LED, 2-FACE, 1-3-SECTION, 1-5-SECTION, BRACKET MOUNTED	EACH	4
88102820	PEDESTRIAN SIGNAL HEAD, POLYCARBONATE, LED 1-FACE, 2-SECTION BRACKET MOUNTED	EACH	8
88200100	TRAFFIC SIGNAL BACKPLATE	EACH	8
88700200	LIGHT DETECTOR	EACH	4
88700300	LIGHT DETECTOR AMPLIFIER	EACH	1
88800100	PEDESTRIAN PUSH-BUTTON	EACH	8
* X8050010	SERVICE INSTALLATION - GROUND MOUNTED	EACH	1
* X8730027	ELECTRIC CABLE IN CONDUIT, GROUNDING, NO. 6 1C	FOOT	526
* XX005428	INTERNALLY ILLUMINATED STREET NAME SIGN	EACH	4
* X8730250	ELECTRIC CABLE IN CONDUIT, NO. 20 3/C TWISTED, SHIELD	FOOT	475
* XX005723	VIDEO DETECTION COMPLETE INTERSECTION	EACH	1



TYPE	NO. LAMPS	WATTAGE INCAND.	LED	% OPERATION	TOTAL WATTAGE
SIGNAL (RED)	14	135	17	0.50	119
(YELLOW)	14	135	25	0.25	90
(GREEN)	14	135	15	0.25	60.0
ARROW	20	135	12	0.10	24
PED. SIGNAL					
CONTROLLER	1	100	100	1.00	100.0
ILLUM. SIGN	4	0.50	88	0.50	176.0
VIDEO CAMERA	4	15		1.00	60.0
LUMINAIRE	4	250		0.50	500.0
FLASHER					
TOTAL=					1,129

FOUNDATION (DEPTH)	FT. (m)	CABLE SLACK	FT. (m)	VERTICAL	FT. (m)
TYPE A - POST	4 (1.2)	HANDHOLE	6.5 (2.0)	ALL FOUNDATIONS	3.5 (1.0)
C - CONTROLLER	4 (1.2)	DOUBLE HANDHOLE	13 (4.0)	MAST ARM (L) POLE	20'+H-2
E - M. ARM POLE		SIGNAL POST	2 (1.0)	(6m+H-0.6m)	
24" (600mm)	10 (3.0)	CONTROLLER CAB.	1 (0.5)	BRACKET MOUNTED	13 (4.0)
30" (750mm)	15 (4.6)	FIBER OPTIC	13 (4.0)	PED. BUTTON	4 (1.2)
36" (900mm)	15 (4.6)	ELECTRIC SERVICE	1 (0.5)	ELECTRICAL SERVICE	13.5 (4.1)
		GROUND CABLE	1 (0.5)	SERVICE TO GROUND	13.5 (4.1)
				POST MOUNTED	6 (1.8)