

35 FT. M.H. LIGHT POLE

OUTSIDE MOUNTED POLES SHOWN,
MEDIAN MOUNTED POLES HAVE
DUAL MAST ARMS.

HANDHOLE POSITION

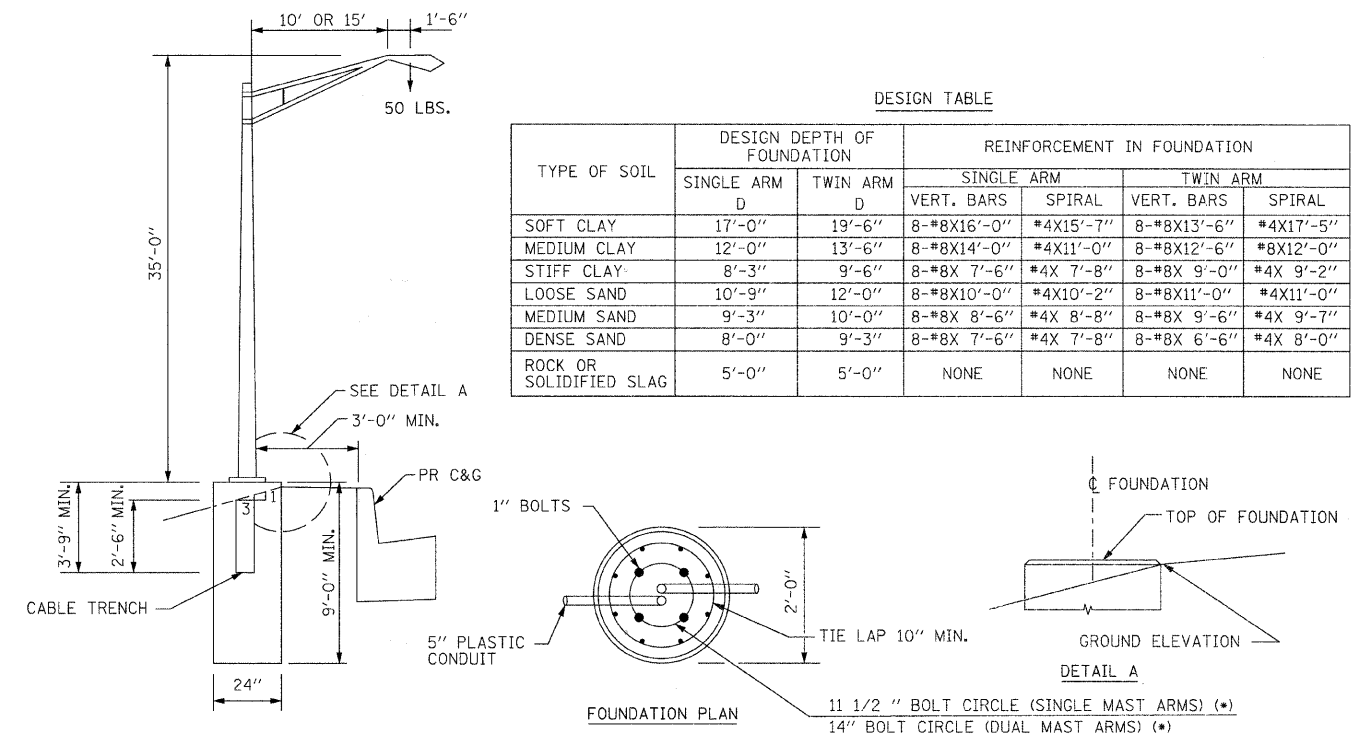
(*) MEDIAN MOUNTED POLES TO HAVE SLOTTED BOLT HOLES TO ACCEPT 13" TO 15" DIA. BOLT CIRCLE.

(**) GFS OUTLETS TO BE INCLUDED BY POLE MANUFACTURER AND LOCATED AS CLOSE TO POLE HANDHOLE AS POSSIBLE.

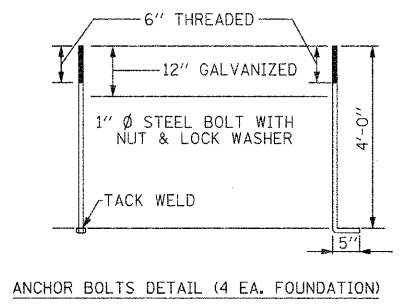
ALL POLES SHALL BE BREAKAWAY

DESIGN TABLE

TYPE OF SOIL	DESIGN DEPTH OF FOUNDATION		REINFORCEMENT IN FOUNDATION			
	SINGLE ARM D	TWIN ARM D	SINGLE ARM		TWIN ARM	
			VERT. BARS	SPIRAL	VERT. BARS	SPIRAL
SOFT CLAY	17'-0"	19'-6"	8-#8X16'-0"	#4X15'-7"	8-#8X13'-6"	#4X17'-5"
MEDIUM CLAY	12'-0"	13'-6"	8-#8X14'-0"	#4X11'-0"	8-#8X12'-6"	#8X12'-0"
STIFF CLAY	8'-3"	9'-6"	8-#8X 7'-6"	#4X 7'-8"	8-#8X 9'-0"	#4X 9'-2"
LOOSE SAND	10'-9"	12'-0"	8-#8X10'-0"	#4X10'-2"	8-#8X11'-0"	#4X11'-0"
MEDIUM SAND	9'-3"	10'-0"	8-#8X 8'-6"	#4X 8'-8"	8-#8X 9'-6"	#4X 9'-7"
DENSE SAND	8'-0"	9'-3"	8-#8X 7'-6"	#4X 7'-8"	8-#8X 6'-6"	#4X 8'-0"
ROCK OR SOLIDIFIED SLAG	5'-0"	5'-0"	NONE	NONE	NONE	NONE



- NOTES**
- THE DESIGN DEPTH D OF FOUNDATION SHALL BE INCREASED BY VALUE OF X ACCORDING TO LOCAL CONDITIONS.
 - CABLE TRENCH SHALL BE BACKFILLED AND COMPACTED BEFORE LIGHT STANDARD IS ERECTED.
 - THE ANCHOR BOLTS SHALL BE PROPERLY SECURED IN PLACE BEFORE THE CONCRETE IS PLACED IN THE FORM.
 - AT THE OPTION OF THE CONTRACTOR, REINFORCEMENT TIES MAY BE SUBSTITUTED WITH NO. 4 SPIRAL, AND TACK WELDED TYPE BOLT MAY BE SUBSTITUTED WITH HOOK TYPE BOLT.
 - COLD BENDING OF HOOK BOLT IS NOT ALLOWED.
 - THE ENGINEER SHALL DETERMINE THE TYPE OF SOIL DURING EXCAVATION AND SELECT THE DESIGN DEPTH OF FOUNDATION FROM THE DESIGN TABLE USING THE DOMINANT CHARACTERISTIC OF THE SOIL ENCOUNTERED.
 - LIGHT STANDARDS SHALL BE MANUFACTURED BY "VALMONT" OR "FPI".
 - LUMAIRES SHALL BE "GE", AND NOT INCLUDE PHOTOCELLS.



(*) A MINIMUM OF 6' OF THE GROUND ROD MUST BE IN CONTACT WITH EARTH.