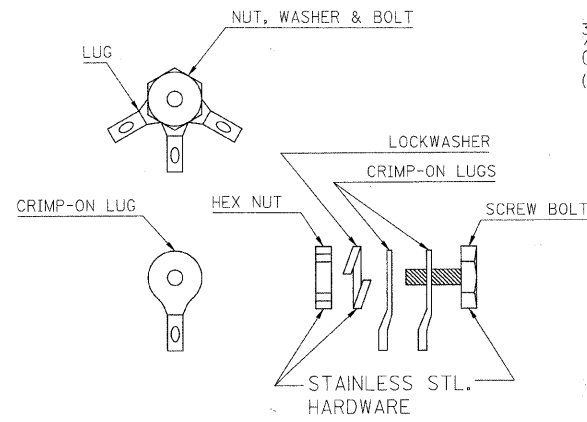
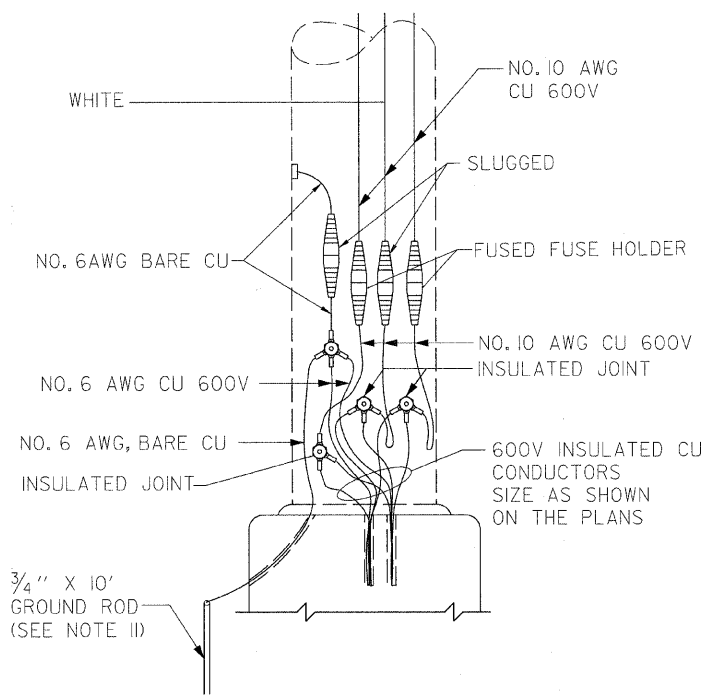


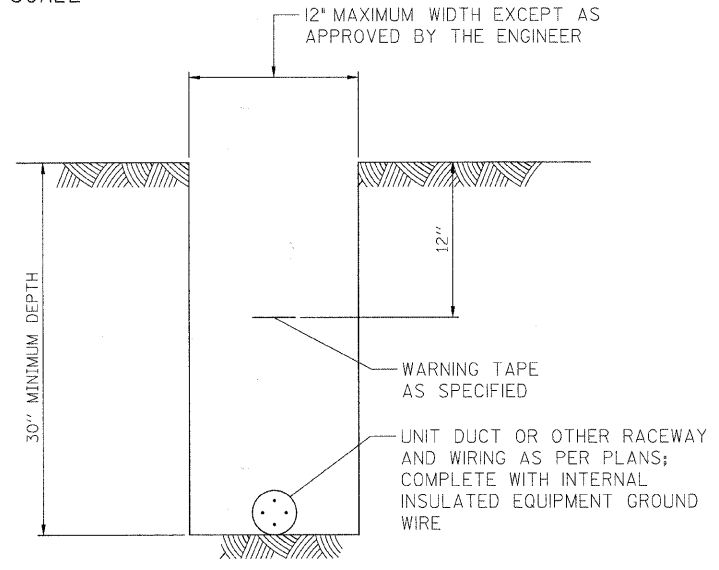
ANCHOR DETAIL
NOT TO SCALE



JOINT ASSEMBLY DETAILS
NOT TO SCALE



POLE BASE WIRING DIAGRAM
NOT TO SCALE



TYPICAL WIRING IN TRENCH DETAIL
NOT TO SCALE

FOUNDATION NOTES:

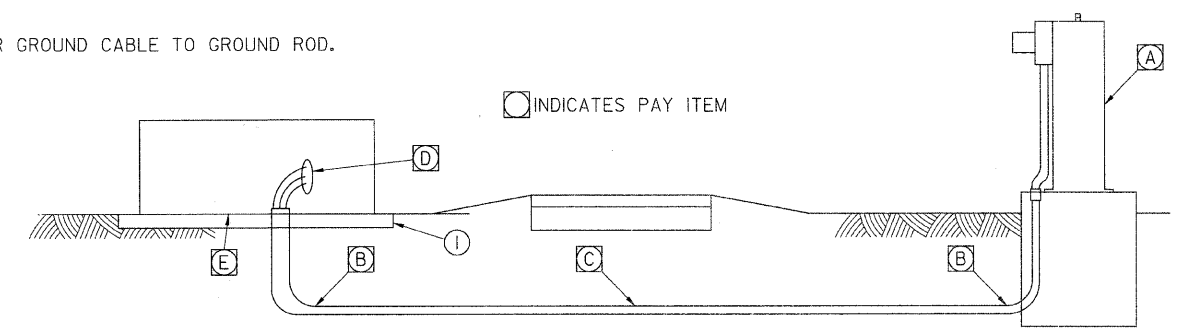
1. EXCAVATION OF THE POLE FOUNDATION SHALL BE MADE WITH AN AUGER, 24" IN DIAMETER.
2. THE CONTRACTOR SHALL USE #4 SPIRAL 6" PITCH OR AT HIS OPTION MAY SUBSTITUTE #4 TIES AT 12" O/C
3. THE ANCHOR SHALL BE A HOOK TYPE BOLT. COLD BENDING OF THE HOOK WILL NOT BE ALLOWED.
4. THE ANCHOR BOLTS AND RACEWAYS SHALL BE PROPERLY SECURED IN PLACE PRIOR TO PLACEMENT OF CONCRETE.
5. THE ENTIRE LENGTH OF THE ANCHOR BOLTS, AS WELL AS THE NUTS AND WASHERS, SHALL BE HOT DIP GALVANIZED IN ACCORDANCE WITH THE REQUIREMENTS OF ASTM DESIGNATION A 153.
6. CONCRETE SHALL BE CLASS 'SI'. CONCRETE FOUNDATION SHALL BE CURED FOR TEN (10) DAYS BEFORE THE LIGHT STANDARD IS ERECTED.
7. THE CABLE TRENCH SHALL BE BACKFILLED AND COMPACTED BEFORE THE LIGHT IS ERECTED.
8. ANCHOR BOLTS SHALL PROJECT 2 3/4" ABOVE THE TOP OF THE FOUNDATION(SEE NOTE 10).
9. RACEWAYS SHALL PROJECT 1" ABOVE THE TOP OF THE FOUNDATION.
10. THE CONTRACTOR SHALL COORDINATE THE EXTENSION OF THE ANCHOR BOLTS ABOVE THE TOP OF FOUNDATION WITH THE MANUFACTURER'S REQUIREMENTS FOR THE BREAKAWAY DEVICE.
11. CADWELD NO. 6 BARE COPPER GROUND CABLE TO GROUND ROD.

CONTRACTOR SHALL FURNISH AND INSTALL

- (A) LIGHTING CONTROLLER INCLUDING FOUNDATION AND METER CABINET WITH CONNECTION DEVICES, WIRES AND FITTINGS.
- (B) CONDUIT IN TRENCH - 2 1/2" DIA.
- (C) CONDUIT PUSHED - 2 1/2" DIA., IF REQUIRED
- (D) ELECTRIC CABLE - CABLES FROM INSIDE THE CONTROLLER TO TOP OF STEEL CONDUIT AND ENOUGH CABLE FOR CONNECTION TO THE TRANSFORMER.
- (E) ELECTRIC SERVICE INSTALLATION
- (1) PCC TRANSFORMER PAD

EDISON COMPANY SHALL FURNISH AND INSTALL (FREE OF CHARGE):

- (2) ELECTRIC SERVICE INSTALLATION: TRANSFORMER, CUT-OUT SWITCH, LIGHTNING ARRESTER, GROUNDING EQUIPMENT, INSULATORS, WIRES, HOUSING, HARDWARE AND ANY OTHER EQUIPMENT AND LABOR DEEMED NECESSARY.



ELECTRIC SERVICE INSTALLATION

FILE NAME =	USER NAME = IE Consultants	DESIGNED -	REVISED -
G:\509221\CADD_Sheets\TS & LIGHTING\1011.DT02.dgn		DRAWN -	REVISED -
PLOT SCALE = 50.0000 / / IN.		CHECKED -	REVISED -
PLOT DATE = 10/22/2010		DATE -	REVISED -

STATE OF ILLINOIS
DEPARTMENT OF TRANSPORTATION

LIGHTING DETAILS				
SCALE:	SHEET NO.	OF SHEETS	STA.	TO STA.

F.A.J.	SECTION	COUNTY	TOTAL SHEETS	SHEET NO.
1578	06-00046-01-PV	WILL	244	204
CONTRACT NO. 63503				
ILLINOIS FED. AID PROJECT				