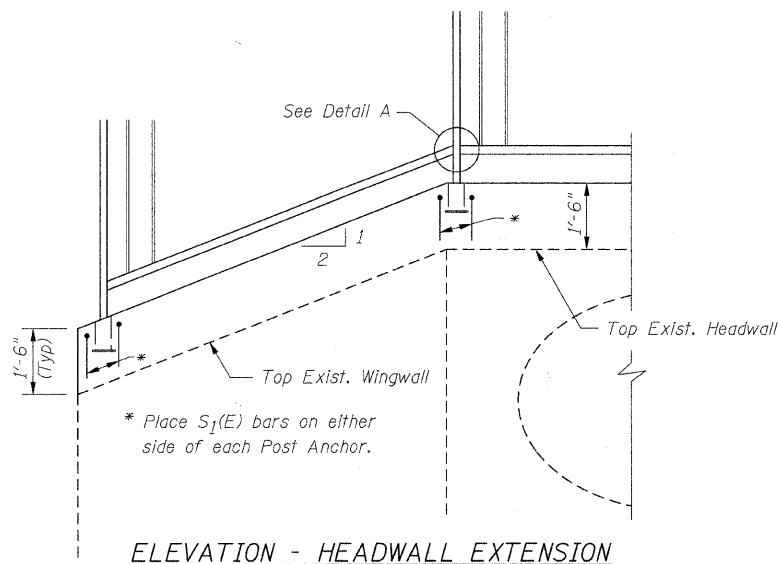
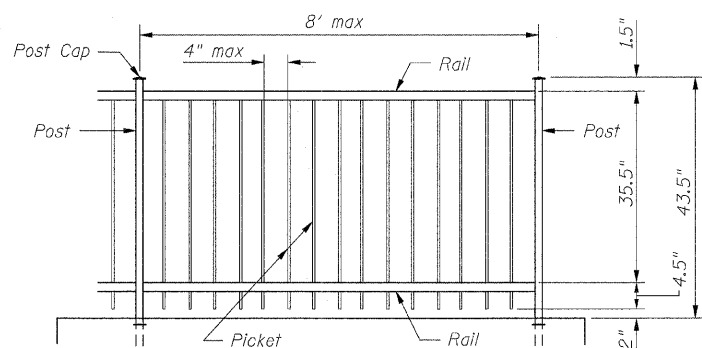


STATE OF ILLINOIS
DEPARTMENT OF TRANSPORTATION

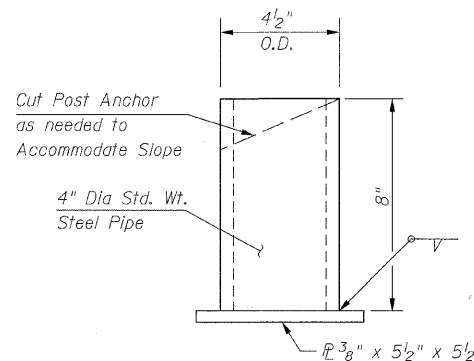


ELEVATION - HEADWALL EXTENSION

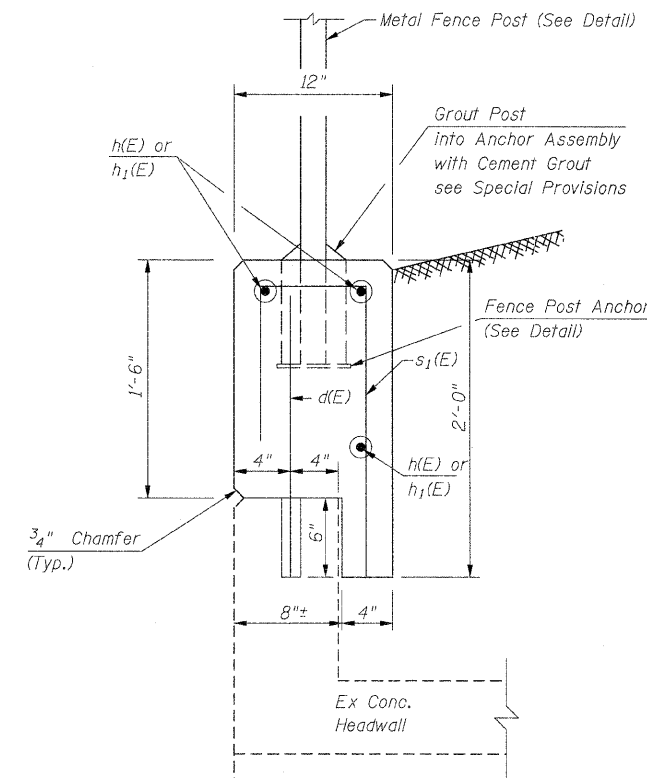


FENCE DETAIL
(See Fence Specifications)

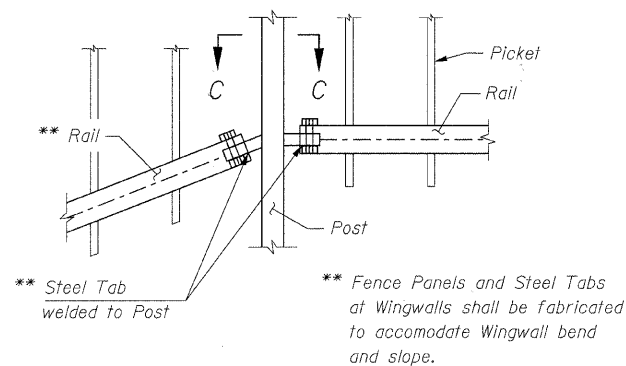
- Notes:
1. Cost of furnishing and installing Post Anchors and Cement Grout shall be included in the cost for "Ornamental Fence, Wrought Iron".
 2. Epoxy Grouting d(E) bars in 6" min drilled holes according to Art. 584 of the Std. Specs. Cost included with "Reinforcement Bars, Epoxy Coated".
 3. Contractor shall verify dimensions and layout in the field prior to ordering material.



FENCE POST ANCHOR
(Galvanize After Fabrication)



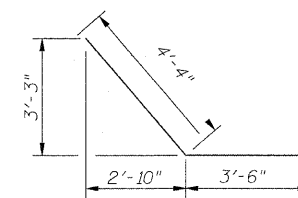
SEC B-B
(Thru Headwall)



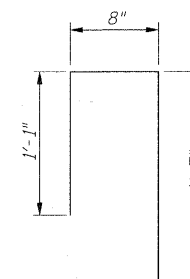
DETAIL A

NAPERVILLE RD. TRIB.
BUILT 201X BY
VILLAGE OF BOLINGBROOK
SEC. 06-00046-01-PV
FAU RT 1578 STA. 29+74.20
STR NO 099-3050 LOADING HS-20

NAME PLATE
See Std. 515001



BAR h(E)



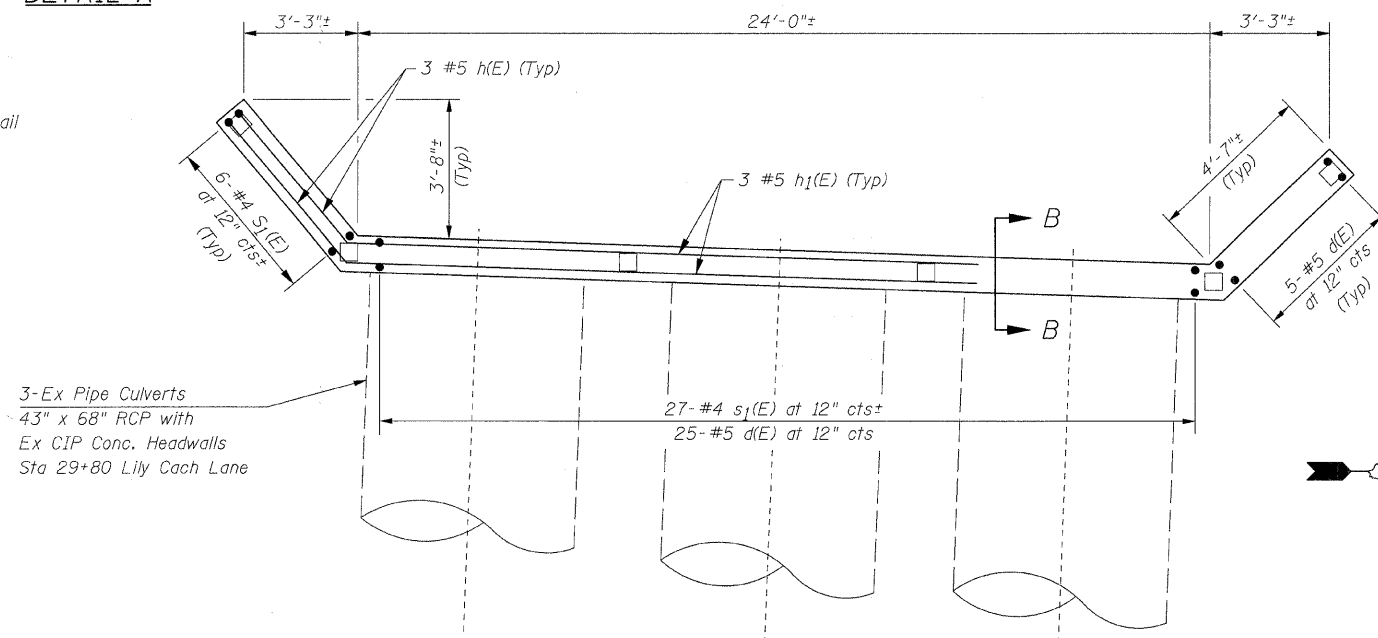
BAR s1(E)

FENCE SPECIFICATIONS		
Component	Dimensions	Material
Pickets	0.5" x 0.5" \square	Steel Sq. Bar
Picket Space	4" Max	
Rails (2)	0.5" x 1.5" x 0.125" \subset	Steel Channel
Post	2.0 x 2.0 x 14 ga. \square	Steel Tube
Color	Black	Enamel

BILL OF MATERIAL				
Bar	No.	Size	Length	Shape
d(E)	35	#5	1'-9"	—
h(E)	6	#5	7'-10"	—
h1(E)	3	#5	23'-10"	—
s1(E)	39	#4	3'-4"	—
Concrete Structures			C.Y	2.1
Reinforcement Bars, Epoxy Coated			Lbs	280
Ornamental Fence, Wrought Iron			Foot	33
Name Plate			Each	1

HEADWALL EXTENSION AND FENCE DETAILS
LILY CACHE LANE OVER
NAPERVILLE ROAD TRIBUTARY
WILL COUNTY
STA. 29+74.20
STRUCTURE No. 099-3050

DESIGNED	DRB
CHECKED	
DRAWN	TRF
CHECKED	



PLAN - HEADWALL EXTENSION
(West Headwall Only)

SHEET NO.	F.A.U. RTE.	SECTION	COUNTY	TOTAL SHEETS	SHEET NO.
	1578	06-00046-01-PV	WILL	244	207
SHEETS	CONTRACT NO. 63503				
	FED. ROAD DIST. NO.	ILLINOIS	FED. AID PROJECT		