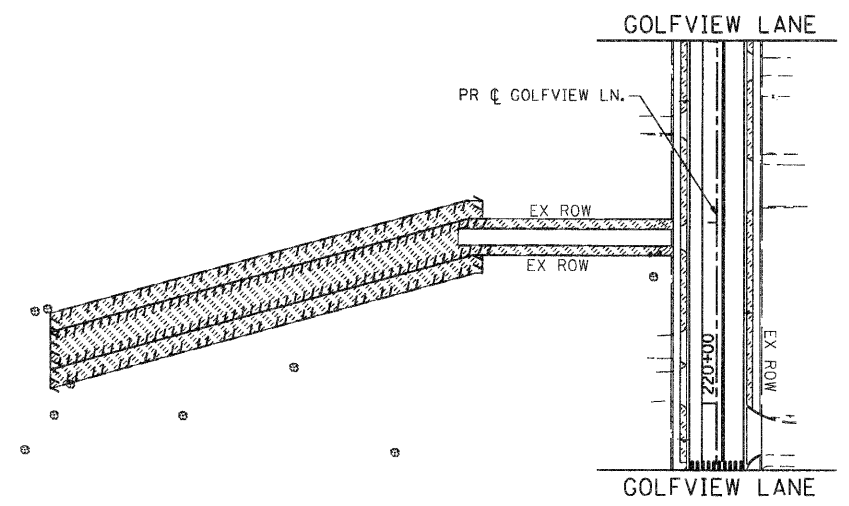


GOLFVIEW LANE
PROJECT ENDS
STA 233+73

LEGEND
SEEDING CL 1B



GRAPHIC SCALE



- NOTES:**
1. PROPOSED SIGN PANELS SHALL BE ERECTED WITH A NEW METAL POST. RELOCATED SIGN PANELS SHALL UTILIZE THE EXISTING POST.
 2. SEE DETAILS FOR STREET LIGHT ASSEMBLY AND CABLE INSTALLATION.
 3. THE VILLAGE WILL COORDINATE SERVICE AGREEMENT WITH COMED.

SEC GROUP, INC.
VILLAGE OF CARPENTERSVILLE
11/1/2010 6:01:09 PM
080326-pm-01.dgn
pef:dlf
standard-frans.tbl

SEC Group, Inc.
Professional Design Firm # 04-000109
401 N. First Street
Machiquette, IL 60242-2138
1.815.385.1778 | 1.815.385.1781
www.secgroupinc.com

USER NAME = CHartke	DESIGNED - C. HARTKE	REVISED -
PLOT SCALE = 1" = 50'	DRAWN - R. BEST	REVISED -
PLOT DATE = 11/1/2010	CHECKED - T. HAMILTON	REVISED -
	DATE - 10/25/10	REVISED -

VILLAGE OF CARPENTERSVILLE

**PAVEMENT MARKING, STREET LIGHTING, SIGNING AND LANDSCAPE PLAN
GOLFVIEW LANE**

SCALE: 1" = 50' SHEET NO. 3 OF 6 SHEETS STA. 227+00 TO STA. END

F.A. RTE.	SECTION	COUNTY	TOTAL SHEETS	SHEET NO.
*	06-00074-00-FP	KANE	211	97
* FAU 2414, FAU 1280, FAP 343			CONTRACT NO. 63504	
FED. ROAD DIST. NO. [ILLINOIS] FED. AID PROJECT				