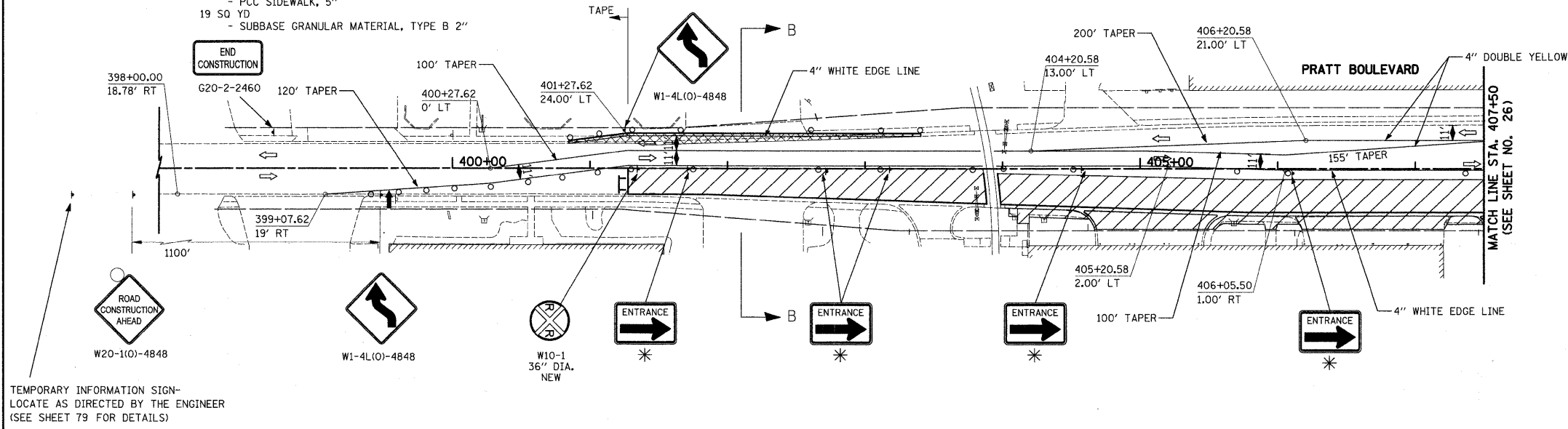


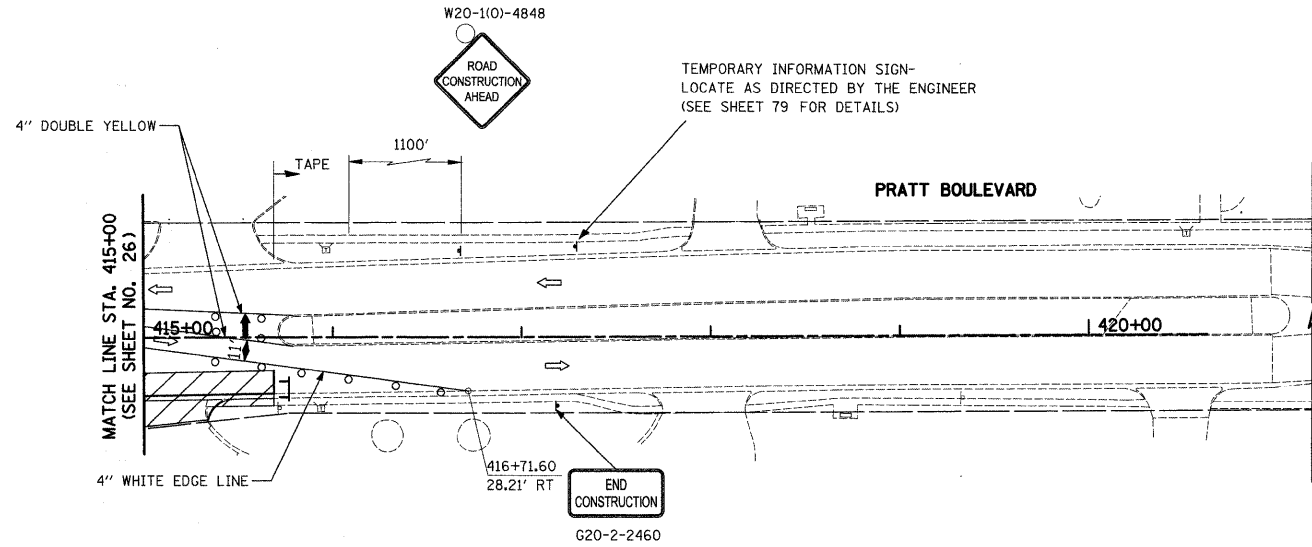
REMOVAL AND REPLACEMENT INCLUDED WEST OF RECONSTRUCTION LIMIT:  
 43 FT  
 - CURB AND GUTTER REMOVAL  
 - COMBINATION CONCRETE CURB AND GUTTER TYPE B-6.12  
 13 SQ YD  
 - SUBBASE GRANULAR MATERIAL, TYPE B 6"  
 170 SQ FT  
 - SIDEWALK REMOVAL  
 - PCC SIDEWALK, 5"  
 19 SQ YD  
 - SUBBASE GRANULAR MATERIAL, TYPE B 2"

DATE	
BY	
REVISIONS	
PLANNED	
ALIGNED	
CHECKED	
NOTED	
NO.	
DATE	
BY	
REVISIONS	
PLANNED	
ALIGNED	
CHECKED	
NOTED	
NO.	



TEMPORARY INFORMATION SIGN-  
 LOCATE AS DIRECTED BY THE ENGINEER  
 (SEE SHEET 79 FOR DETAILS)

DATE	
BY	
REVISIONS	
PLANNED	
ALIGNED	
CHECKED	
NOTED	
NO.	
DATE	
BY	
REVISIONS	
PLANNED	
ALIGNED	
CHECKED	
NOTED	
NO.	



**LEGEND**

- TYPE II DRUM
- ⇨ DIRECTION OF TRAFFIC
- ⊥ TEMPORARY TRAFFIC SIGN ON PERMANENT SUPPORT
- ⊥ TYPE III BARRICADE
- ➔ ARROW BOARD
- ▨ WORK ZONE
- ▩ TEMPORARY PAVEMENT

**NOTE:**

1. ALL TAPE PAVEMENT MARKINGS SHALL BE PAID FOR AS "WET TEMPORARY PAVEMENT MARKING TAPE, TYPE III".
  2. ADDITIONAL SIGNS WILL BE REQUIRED FOR LANE CLOSURES WHICH ARE NOT SHOWN ON THE PLANS BUT WILL BE REQUIRED AS PER I.D.O.T. STANDARD 701701.
- \* SEE SHEET NO. 80 FOR SIGN DETAILS.



FILE NAME = ...\\cad\sheet\2363\_MDT\_01\_02.dgn

USER NAME = krrk  
 PLOT SCALE = 50.0000 / IN.  
 PLOT DATE = 10/22/2010

DESIGNED - BLG  
 DRAWN - BLG  
 CHECKED - DJK  
 DATE - 10-22-10

REVISED -  
 REVISED -  
 REVISED -  
 REVISED -

**STATE OF ILLINOIS  
 DEPARTMENT OF TRANSPORTATION**

**IL ROUTE 83 (BUSSE ROAD) AND PRATT BOULEVARD  
 MAINTENANCE OF TRAFFIC - STAGE 1**

SCALE: 1" = 50' SHEET NO. 2 OF 2 SHEETS

F.A.P. RTE.	SECTION	COUNTY	TOTAL SHEETS	SHEET NO.
334	09-00057-00-CH	COOK	103	27
<b>CONTRACT NO. 63523</b>				

FED. ROAD DIST. NO. 1 ILLINOIS FED. AID PROJECT M-9003(660)